

SDS 920 COMPUTER
Logic Layouts
Current & History

SDS 900552C

March 1965



SCIENTIFIC DATA SYSTEMS/1649 Seventeenth Street/Santa Monica, California/UP 1-0960

PREFACE

Logic identification per computer and wire list revision level. Wire list revision level is stamped on the 920 Computer.

This printing of the 920 logic layouts, (Publications No 900552 C). Applies to SDS 920 Computer serial number 2172 and all later serial numbers.

- 1. Current sheets are the latest revisions. Refer to page 157.
- 2. History sheets start with Revision M. Refer to page 157.
- 3. Revision sheets may be supplied separately and are to be collated by the user.

Computer S/N	Logic Revision Level	Wire List Rev. Level
2172	101701 M	101081 U

920 Directory

103	Add, $\overline{\text{Add}}$	69	C0
93	Ae	70	C1
93	An	71	C2, C3
115	An (Scope)	72	C4, C5
90	Anr	73	C6, C7
112	(An $\overline{\text{C23}}$)	74	C8, C9
112	($\overline{\text{An}}$ C23)	75	C10, C11
86	Ap, ($\overline{\text{Ap}}$ F3)	76	C12, C13
91	Ar	77	C14, C15
92	Aw	78	C16, C17, $\overline{\text{C17}}$ *
		79	C18, C19
95	Be	80	C20, C21
95	Bn	81	C22, C23, C23*, C23**
96	Bnr	66	C24
94	Br	65	Cg, Cg*
110	Buc	66	Cp
94	Bw	68	Cs, Cs'
		67	Cxi, Cxm, Cxm'
69	Cd0	104	Cz
70	Cd1	103	[$\overline{\text{Cz}}$ Xz Yz]
71	Cd2, Cd3	103	[Cz $\overline{\text{Xz}}$ $\overline{\text{Yz}}$]
72	Cd4, Cd5	39	($\overline{\text{C2}}$ $\overline{\text{C5}}$ $\overline{\text{C8}}$ ($\overline{\text{C3}}$ + $\overline{\text{C4}}$))
73	Cd6, Cd7	156	Directory
74	Cd8, Cd9	155	Directory
75	Cd10, Cd11	87	D1, D2
77	Cd12, Cd13	88	D3, D4
77	Cd14, Cd15	89	D5, D6
78	Cd16, Cd17		
79	Cd18, Cd19	30	Ecw
80	Cd20, Cd21	115	Ecw (Scope)
81	Cd22, Cd23	104	En

920 Directory (continued)

19	(En + $\text{\textcircled{En}}$)	114	Int
43	End	110	loc
110	Eom	114	Ir
109	[Eom C10 $\overline{\text{CTI}}$]	114	Is
46	Ex	108	Ix
		19	I1w, I2w
40	F1		
112	($\overline{\text{F1}}$ Int)	72	$\overline{\text{Kf}}$ *
42	($\overline{\text{F1}}$ F3 $\overline{\text{Ts}}$)	10	[L1 thru L6]
105	[$\overline{\text{F1}}$ $\overline{\text{F3}}$ $\overline{\text{Ts}}$]	9	[L7 thru L14]
112	($\overline{\text{F1}}$ Int (T22 - T17))	12	(L1) thru (L7)
41	F2	11	(L8) thru (L14)
40	F3		
115	$\emptyset 0$ (Scope)	1	Mc, Ms, Mxc
100	$\emptyset 0$	14	Mdt
84	($\emptyset 0$ Go)	2	Mg
99	($\emptyset 0$ Po)	86	Mh
112	($\emptyset 0$ Tp $\overline{\text{Ia}}$)	13	Mrt, Mwt
112	($\emptyset 0$ T24 $\overline{\text{Ia}}$ Go)	86	Mt, Mu
43	$\emptyset 1$	2	M0
42	$\emptyset 3$	3	M1 thru M4
43	$\emptyset 4$	4	M5 thru M8
44	$\emptyset 5, \emptyset 6, \emptyset 7$	5	M9 thru M12
		6	M13 thru M16
45	Go	7	M17 thru M20
		8	M21 thru M24
66	[Halt Light]	70	(M1 Ap)
45	Ht	71	(M2 Ap), (M3 Ap)
		72	(M4 Ap), (M5 Ap)
47	Ia	73	(M6 Ap), (M7 Ap)
111	Ib	74	(M8 Ap), (M9 Ap)

75	$(\overline{M10} \text{ Ap}), (\overline{M11} \text{ Ap})$	127	X-Y Selector
76	$(\overline{M12} \text{ Ap}), (\overline{M13} \text{ Ap})$	128	Z Driver
77	$(\overline{M14} \text{ Ap}), (\overline{M15} \text{ Ap})$	129	Z Driver
78	$(\overline{M16} \text{ Ap}), (\overline{M17} \text{ Ap})$	130	Z Driver
79	$(\overline{M18} \text{ Ap}), (\overline{M19} \text{ Ap})$	131	Sense Amp & Discriminator
80	$(\overline{M20} \text{ Ap}), (\overline{M21} \text{ Ap})$	132	Sense Amp & Discriminator
81	$(\overline{M22} \text{ Ap}), (\overline{M23} \text{ Ap})$	133	Sense Amp & Discriminator
70	M1 (Ap + $\overline{F3}$)	134	Sense Amp & Discriminator
71	M2 (Ap + $\overline{F3}$) M3 (Ap + $\overline{F3}$)	135	Sense Amp & Discriminator
72	M4 (Ap + $\overline{F3}$) M5 (Ap + $\overline{F3}$)	136	Selector Control
73	M6 (Ap + $\overline{F3}$) M7 (Ap + $\overline{F3}$)	137	Selector Control
74	M8 (Ap + $\overline{F3}$) M9 (Ap + $\overline{F3}$)	138	Current & Voltage Regulator
75	M10 (Ap + $\overline{F3}$) M11 (Ap + $\overline{F3}$)	153	Module Locator
76	M12 (Ap + $\overline{F3}$) M13 (Ap + $\overline{F3}$)	154	Module Locator
77	M14 (Ap + $\overline{F3}$) M15 (Ap + $\overline{F3}$)	56	N5
78	M16 (Ap + $\overline{F3}$) M17 (Ap + $\overline{F3}$)	57	N6
79	M18 (Ap + $\overline{F3}$) M19 (Ap + $\overline{F3}$)	58	N7
80	M20 (Ap + $\overline{F3}$) M21 (Ap + $\overline{F3}$)	59	N8
81	M22 (Ap + $\overline{F3}$) M23 (Ap + $\overline{F3}$)	60	N9
		61	N10
		62	N11, N12
		63	N13, N14
		85	Oc
		102	Of
		85	Oxc
		82	01
		100	$(01 \ 02 \ 03 \ 04)$
		85	$(01 \ \overline{02} \ \overline{03} \ \overline{00} \ \overline{1a})$
	<u>Memory Section</u>		
118	Address Decode		
119	Address Decode		
120	X-Y Selector		
121	X-Y Selector		
122	X-Y Selector		
123	X-Y Selector		
124	X-Y Selector		
125	X-Y Selector		
126	X-Y Selector		

101	$(01 \ \overline{02} \ \overline{04} \ \overline{05} \ 06 \ \overline{06})$	83	06
111	$(\overline{01} \ 03 \ \overline{04} \ \overline{F1} \ \overline{F3} \ \overline{Ts} \ \overline{1a})$	42	$(06 \ \overline{02})$
84	$(01 \ 05 \ \overline{04})$		
84	$(01 \ \overline{05} \ \overline{04})$	66	[Parity Light]
99	$(01 \ \overline{04})$	48	Pg
44	$(01 \ \overline{04} + 03 \ \overline{06} + \overline{F1} \ \overline{F2} \ \overline{Ts} \ \overline{Wp})$	117	Photo Reader
		139	Pin Loc
		thru	
82	02	152	
112	$(02 \ \overline{03} \ 04 \ \overline{00} \ \overline{1a})$	110	(Pin), (Pot 1), (Pot 2)
100	$(\overline{02} \ 03 \ 04 \ \overline{06})$	116	Priority Interrupt
100	$(\overline{02} \ \overline{03} \ 04 \ \overline{Ts})$	113	P0
112	$(\overline{02} \ \overline{03} \ \overline{00} \ \overline{1a})$	48	P1, P2
		49	P3 thru P6
83	03	50	P7 thru P10
		51	P11 thru P14
83	04		
111	$(04 \ \overline{05} \ \overline{06})$	34	Q1, Q2, (Q1), (Q2)
		35	Q3, Q4
83	05	13	$(Q3 \ \overline{Q4})$
42	$(05 \ 06 \ \overline{F1} \ F3 \ \overline{Ts})$	36	Q5, Q6
42	$(05 \ 06 \ \overline{F1} \ F3 \ \overline{Ts} \ \overline{Q1} \ \overline{Q2} \ Q5)$		
84	$(05 \ 06 \ \overline{01})$	41	Rf, Rt
99	$(05 \ \overline{06} \ \overline{03}),$ $(05 \ 06 \ \overline{03})$	20	Rp
84	$(\overline{05} \ 06 \ \overline{03})$	110	Rti
84	$(\overline{05} \ 06 \ \overline{03} \ T24)$	14	Rw = (Mg Q2)
84	$(\overline{05} \ 06 \ \overline{03} \ \overline{Tp} \ \overline{T24} \ \overline{S8})$	28	R1
93	$(05 \ \overline{06} \ \overline{03}) \ (Q1 + Q2)$ $+ \overline{S8} \ \overline{Q3})$	27	R2
		24	R3, R4
		27	R5

920 Directory (continued)

28	R6	37	$(\overline{T_p} \ \overline{T_{24}})$
16	Rtm	43	$(\overline{T_s} \ \overline{S_k} + P_0 + \phi_4)$
52	Sc, Ss	64	$T_s, \ \overline{T_s^*}$
106	Sk	115	T_s (Scope)
107	Sks	114	$(\overline{T_{sm}})$
37	\overline{St}	15	$(\overline{T_{sm}})$
52	$(S_{xc}), (S_{xn}), (S_{xp})$	15	$(\overline{T_{sm}} \ \overline{W_p})$
110	(S_{ys})	15	$(\overline{T_{sm}} \ \overline{W_p})$
53	S1	64	T_{sw}
54	S2	32	$\overline{T_{sw}}$
55	S3, S4	64	$T_{sy}, \ \overline{T_{sy}}, \ \textcircled{T_{sy}}$
56	S5	115	T_0 (Scope)
57	S6	38	T_0
58	S7	99	$T_0^*, \ \overline{T_0}$
59	S8	101	T_1
60	S9	44	$(T_1 \ \overline{S_8} + T_0)$
61	S10	44	$(T_5 - T_0)$
62	S11	37	T_9
60	$[\overline{S_{11}} \ \overline{S_{12}} \ \overline{S_{13}}]$	39	T_{10}
62	S12	39	T_{14}
63	S13, S14	38	$(T_{21} + T_{22})$
		38	$(T_{22} - T_{17})^*$
38	$T_p, \ T_p^*, \ \overline{T_p}$	38	T_{23}
43	$(T_p \ \text{End} \ \overline{S_k})$	99	$T_{24}, \ \overline{T_{24}}, \ T_{24}^*$
115	$(T_p \ \text{End} \ G_o \ M_o \ \overline{S_k})$ (Scope)	46	$(T_{24} \ \overline{G_o} \ \overline{H_t} \ \textcircled{K_f} \ \overline{T_s})$
45	$[T_p \ \overline{T_s} \ H_t]$		

920 Directory (continued)

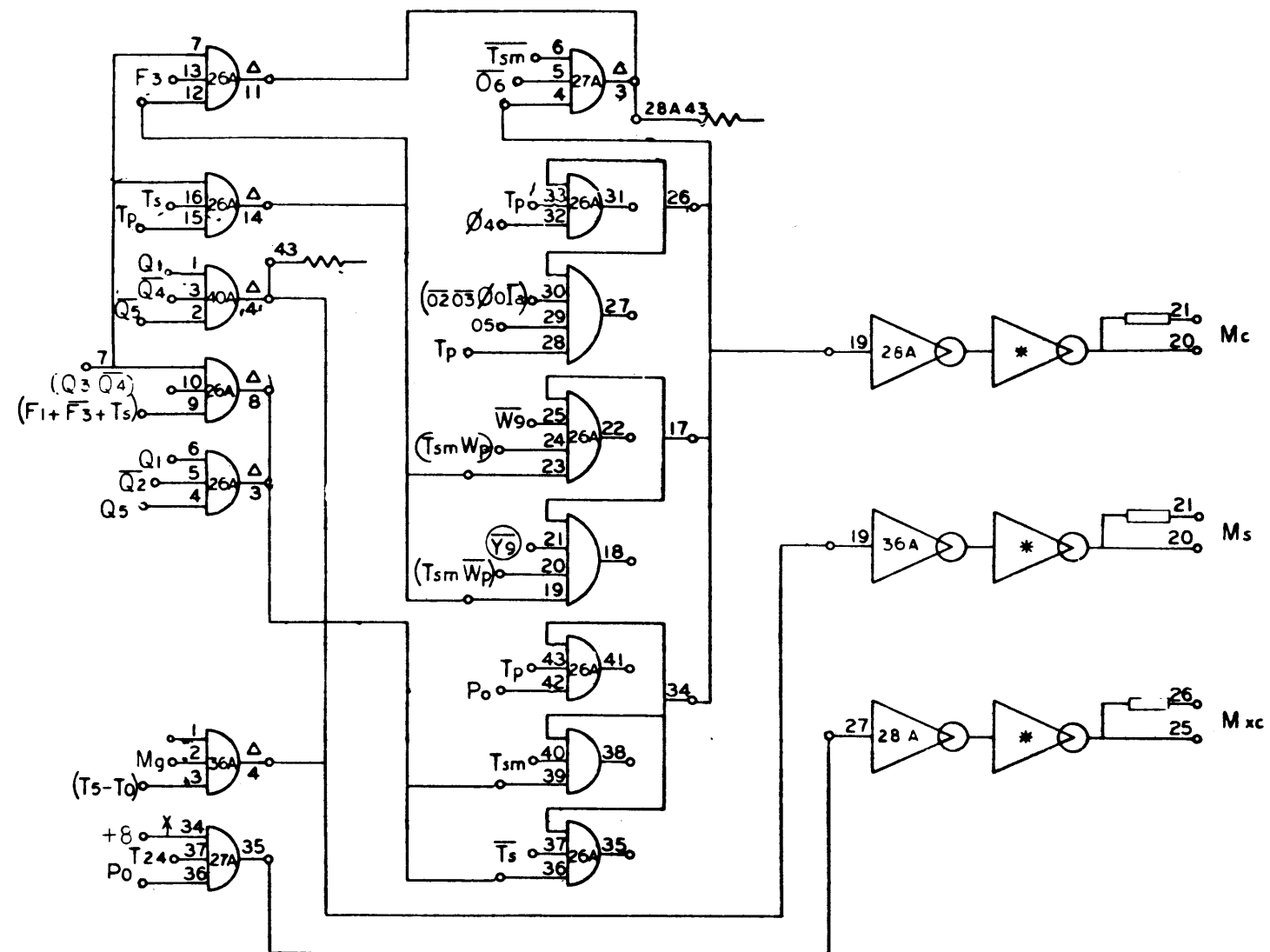
16	Wc	19	$(\overline{W_9} \ \overline{W_{10}} \ \overline{W_{11}} \ \overline{W_{12}} \ \overline{W_{13}} \ \overline{W_{14}})$
29	$[W_c (T_{22} - T_{17})]$	21	W_{10}
26	$W_e, \ W_{es}$	31	W_{11}
29	W_f	26	W_{12}
16	$(\overline{W_f} (W_0 + W_9))$	18	$W_{13}, \ W_{14}$
21	W_h		
21	W_{hs}	97	X_n
23	W_n	98	X_{nr}
64	W_p	97	X_w
14	W_r	105	X_z
16	W_s	70	$[X_z \ Y_z + Y_z \ C_z$ $+ X_z \ C_z + C_z \ A_p$ $+ X_z \ \overline{A_p} \ F_3$ $+ Y_z \ \overline{A_p} \ F_3]$
17	W_w		
111	$W_x, \ \overline{W_x}$		
31	W_0		
29	$[W_0 \ \overline{W_9} \ W_{10} \ W_{11}]$		
22	W_4	111	Y_x
32	$(W_4) \ W_4^*$	105	Y_z
22	$[W_4 \ T_0]$	30	$\overline{Y_9}$
	$(W_4 \ \overline{W_5} \ \overline{W_6} \ \overline{W_9}$ $+ \overline{W_4} \ W_5 \ \overline{W_6} \ W_9$ $+ W_9 \ W_{10} \ W_{11})$	33	$Z_{w1} \ \text{thru} \ Z_{w6}$
19		33	Z_{wp}
22	W_5		
32	$(\overline{W_5} \ W_6 \ \overline{W_9})$		
30	W_6		
25	$W_7, \ W_8$		
30	W_9		
21	$[\overline{W_9} \ \overline{W_{10}} \ \overline{W_{11}} \ W_{12} \ \overline{W_{13}}]$		

TAB IDENTIFICATION

A suggestion is that the user of this manual mark up individual Tab sheets with appropriate information concerning signals and page number within Tab

Tab 1	Memory Control, M Registers.
Tab 2	W Buffer.
Tab 3	Pulse Counter (Q) and Phase Counter (F). Phase Control and (T) times.
Tab 4	General Control, P Register and S Register.
Tab 5	C Register and C Register Control.
Tab 6	O Register, command control and (D) flip-flops.
Tab 7	A, B and X Registers and Control.
Tab 8	Computer Control General, Adder, Skip Control Interrupt and Reader Logic.
Tab 9	Memory X, Y Address Decoding and X, Y Selectors.
Tab 10	Memory Z Drivers, Sense amps and Discriminators, Memory Selector Control, and Current and Voltage Regulators.
Tab 11	Pin Locators, Pins Vs Logic Pages.
Tab 12	Module Locator, Directory (use Directory in front), and Page Revision level indicator.
Tab 13	I/O and Memory Signal identification Vs pin identity.
Tab 14	Power Distribution (AC & DC) and replacement Parts Tables.
Tab 15	Control Panel Schematic and assembly, Photo Reader Schematic and replacement Parts Tables.
Tab 16	Computer Modifications when 9149 High speed interlace is incorporated.
Tab 17	Updatings

REVISIONS				10170
REV	DESCRIPTION	CHK	DATE	APPROVED
A	RELEASED TO MFG			
F	SEE REV E.O.			

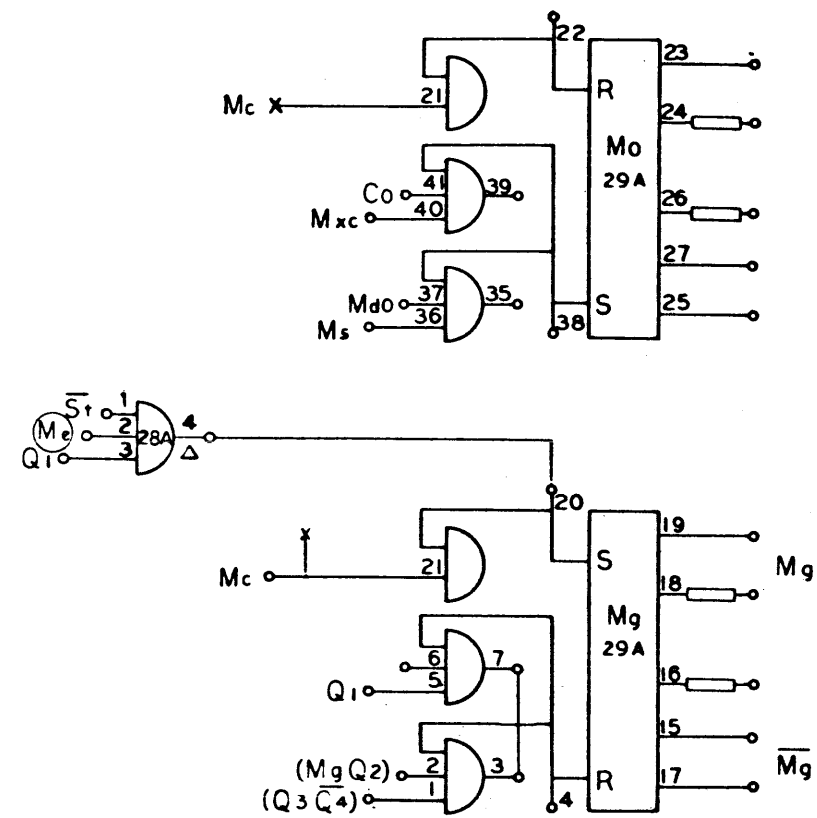


REFERENCE DESIGNATIONS ARE ABBREVIATED. PREFIX THE DESIGNATION WITH UNIT NUMBER OR ASSEMBLY DESIGNATION OR BOTH. (MIL. STD. 168)

910-920
Page 1
F

NO. REG	DRAWING NO.	DESCRIPTION	REFERENCE DESIGNATION	ITEM NO.
MATERIAL LIST				
NOTES UNLESS SPECIFIED		DRAWN	<div style="text-align: center;"> <p>1942 FIFTEENTH STREET, SANTA MONICA, CALIFORNIA</p> <p>DIAGRAM, LOGIC COMPUTER</p> </div>	
1. TOLERANCES: 25 ± 0.00, 32 ± 0.00, 33 ± 0.00, 34 ± 0.00, 35 ± 0.00, 36 ± 0.00, 37 ± 0.00, 38 ± 0.00, 39 ± 0.00, 40 ± 0.00, 41 ± 0.00, 42 ± 0.00, 43 ± 0.00		CHECK		
2. BREAK ALL SHARP EDGES 0.10 APPROX		APPR		
3. MACH. SURFACES ✓			TITLE	
4. ALL DIM. IN INCHES			SCALE	
MODEL NO.	920	SIZE	DWG NO.	F
NEXT ASSY.			D 10170	
		DO NOT SCALE DRAWING SHEET		

REV		DESCRIPTION		CHK	DATE	APPROVED
A		RELEASED TO MFG			4/1/53	

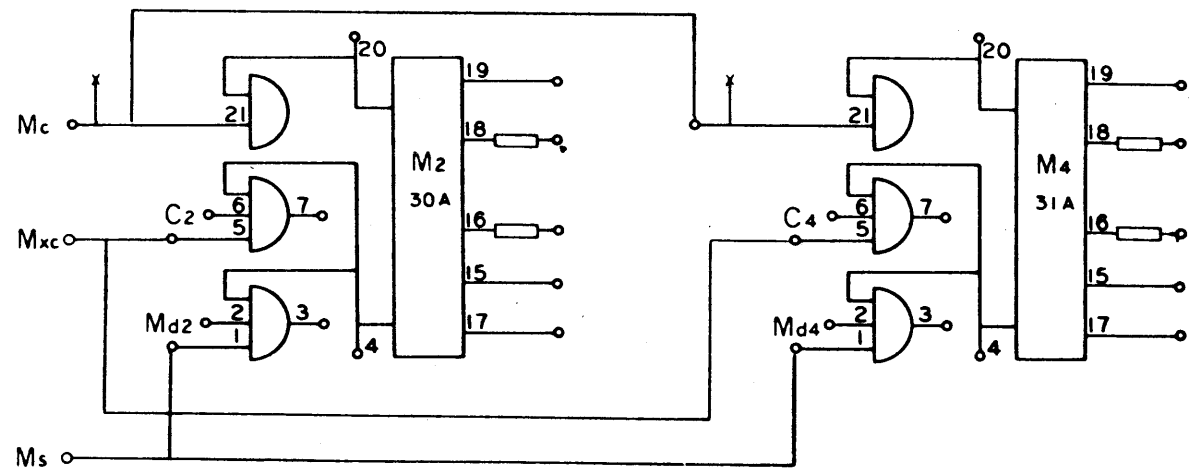
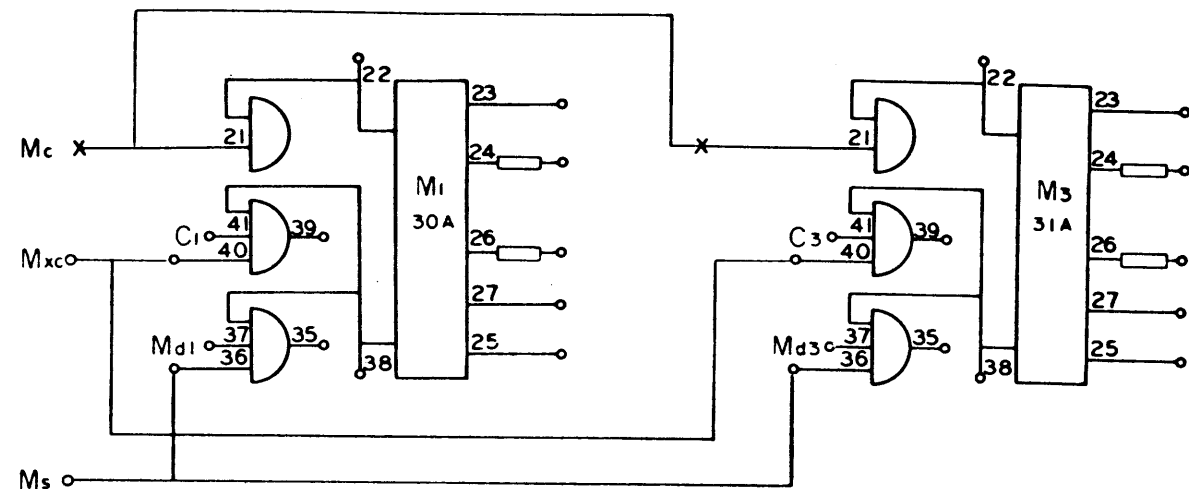


910-920
Page 2

101701 A

NO. REQ.	DRAWING NO.	DESCRIPTION	REFERENCE DESIGNATION	ITEM NO.
MATERIAL LIST				
NOTES UNLESS SPECIFIED		DRAWN	CHECK	APPR.
1. TOLERANCES .XX ± .005 ANGULAR ± 1° .XX ± .010 2. BREAK ALL SHARP EDGES .015 APPROX. 3. BACK SURFACES ✓ 4. ALL DIM. IN INCHES			<i>J.W. UA</i>	<i>1/2/53</i>
MODEL NO. 920		SDS SCIENTIFIC DATA SYSTEMS 1545 FIFTEENTH STREET SANTA MONICA CALIFORNIA		
NEXT ASSY.		TITLE DIAGRAM, LOGIC COMPUTER		
		SIZE	DWG NO.	SHEET
		D	101701	A
SCALE		DO NOT SCALE DRAWING		SHEET

REVISIONS				101701	A
REV	DESCRIPTION	CHK	DATE	APPROVED	
A	RELEASED TO MFG		1/13/62		

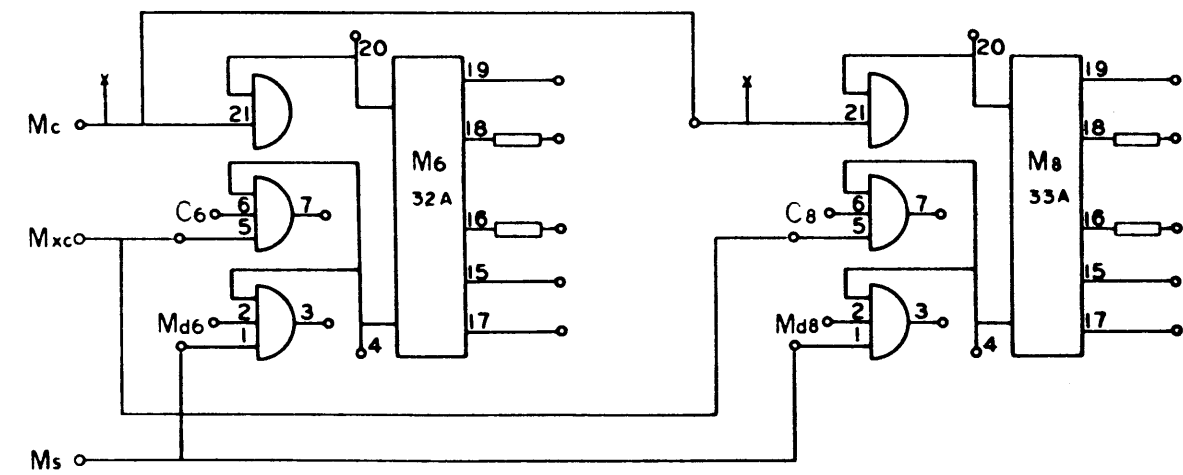
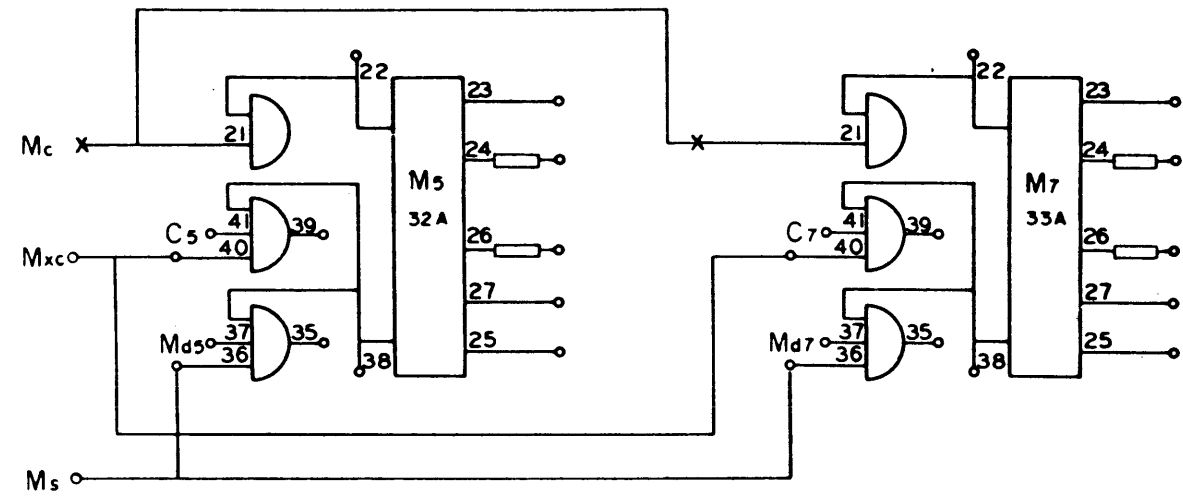


910-920
Page 3

NO. REQ.	DRAWING NO.	DESCRIPTION	REFERENCE DESIGNATION	ITEM NO.
MATERIAL LIST				
NOTES UNLESS SPECIFIED		DRAWN	SDS SCIENTIFIC DATA SYSTEMS 1542 FIFTEENTH STREET SANTA MONICA CALIFORNIA	
1 TOLERANCES XX - ODD ANGULAR SEE 2 DIM 2 1/2"		CHECK	TITLE DIAGRAM, LOGIC COMPUTER	
2 BREAK ALL SHARP EDGES .510 APPROX.		APPR		
3 HACH SURFACES ✓			MODEL NO. 920	
4 ALL DIM. IN INCHES			NEXT ASSY.	
			SIZE D	DWG NO. 101701
			A	
			SCALE	DO NOT SCALE DRAWING SHEET

101701 A

REVISIONS				101701	A
REV	DESCRIPTION	CHK	DATE	APPROVED	
A	RELEASED TO MFG				

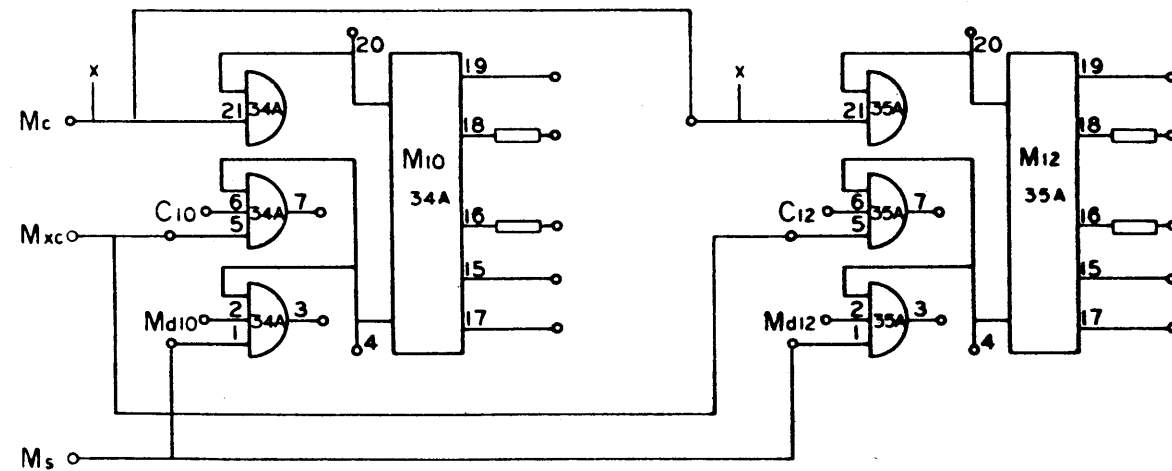
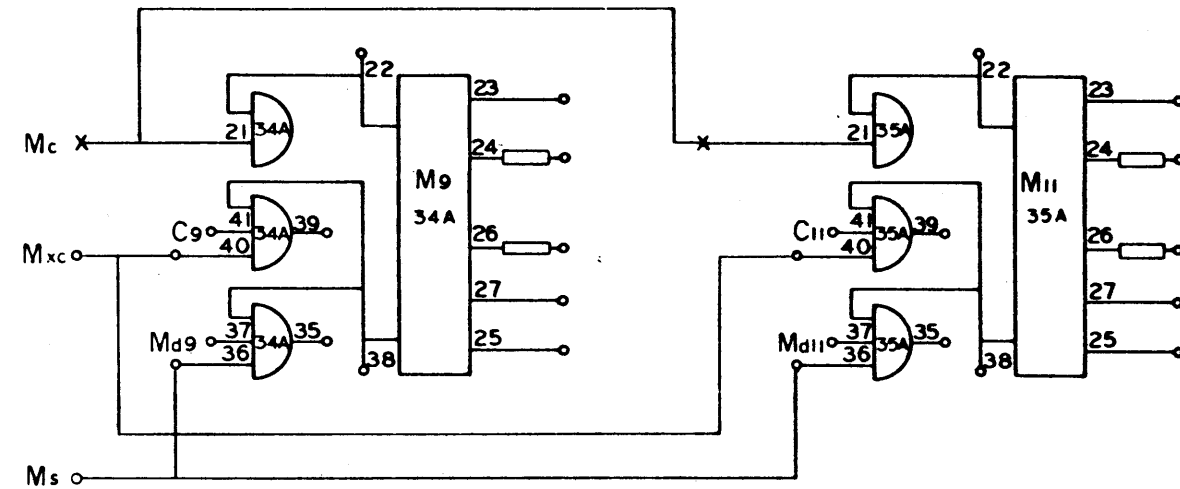


910-920
Page 4

101701 A

NO	DRAWING NO.	DESCRIPTION	REFERENCE DESIGNATION	ITEM NO.
MATERIAL LIST				
NOTES UNLESS SPECIFIED		DRAWN		
1. TOLERANCES UNLESS SPECIFIED		CHECK		
2. CLEAR ALL SHARP CORNERS AND APPROX.		APPR		
3. HATCH SURFACES				
4. ALL DIM. IN INCHES				
		1845 FIFTEENTH STREET, SANTA MONICA, CALIFORNIA		
		TITLE DIAGRAM, LOGIC COMPUTER		
MODEL NO.	920	SIZE	DWS NO.	A
NEXT ASSY.		SCALE	DO NOT SCALE DRAWING	SHEET

REVISIONS		101701		A
REV	DESCRIPTION	CHK DATE	APPROVED	
A	RELEASED TO MFG		<i>J. M. J.</i>	

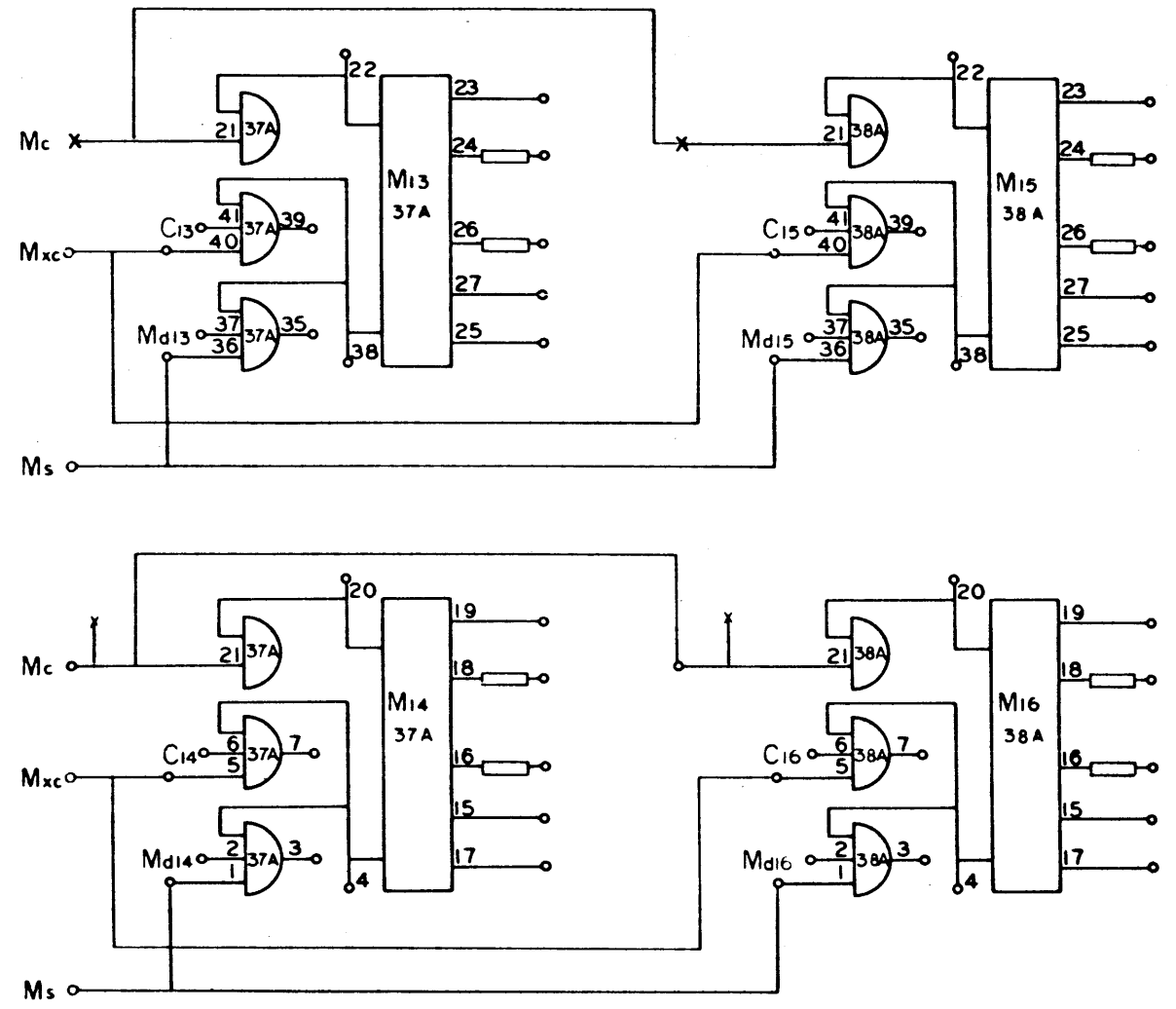


910-920
Page 5

NO. REV.	DRAWING NO.	DESCRIPTION	REFERENCE DESIGNATION	ITEM NO.
MATERIAL LIST				
NOTES UNLESS SPECIFIED		DRAWN	SDS SCIENTIFIC DATA SYSTEMS 1925 FIFTEENTH STREET SANTA MONICA CALIFORNIA TITLE DIAGRAM LOGIC COMPUTER	
1. TOLERANCES JE ±.000 ANGULAR SEE 2.010 ±.1°		CHECK <i>A. J.</i> <i>11/26/62</i>		
2. BREAK ALL SHARP EDGES .510 APPROX. 3. MACH. SURFACES ✓ 4. ALL DIM. IN INCHES		APPR. <i>J. M. J.</i> <i>11/26/62</i>		
MODEL NO.	920	SIZE	DWS NO.	A
NEXT ASSY.		SCALE	DO NOT SCALE DRAWING	SHEET

101701 1A 1

REVISIONS				
REV	DESCRIPTION	CHK	DATE	APPROVED
A	RELEASED TO MFG		11/24/62	J. C. [Signature]

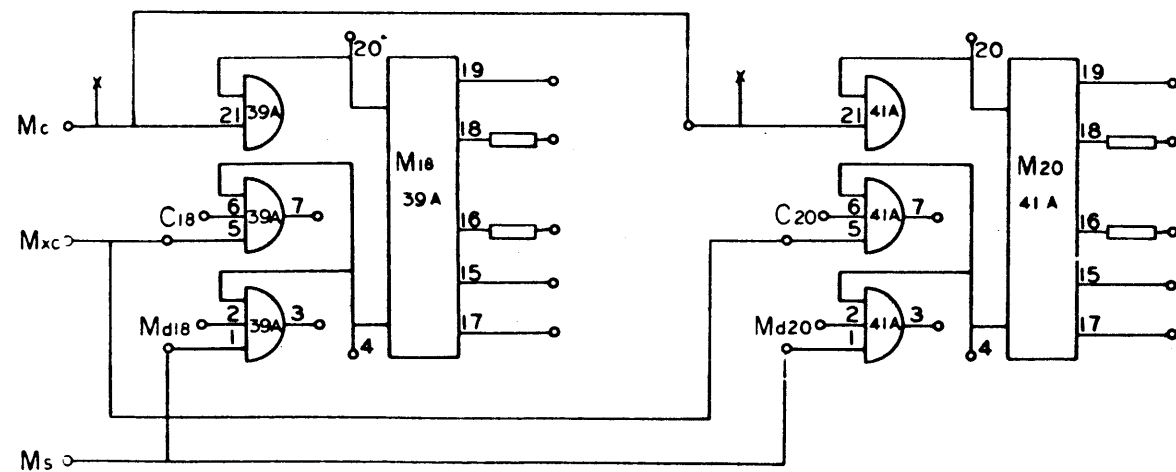
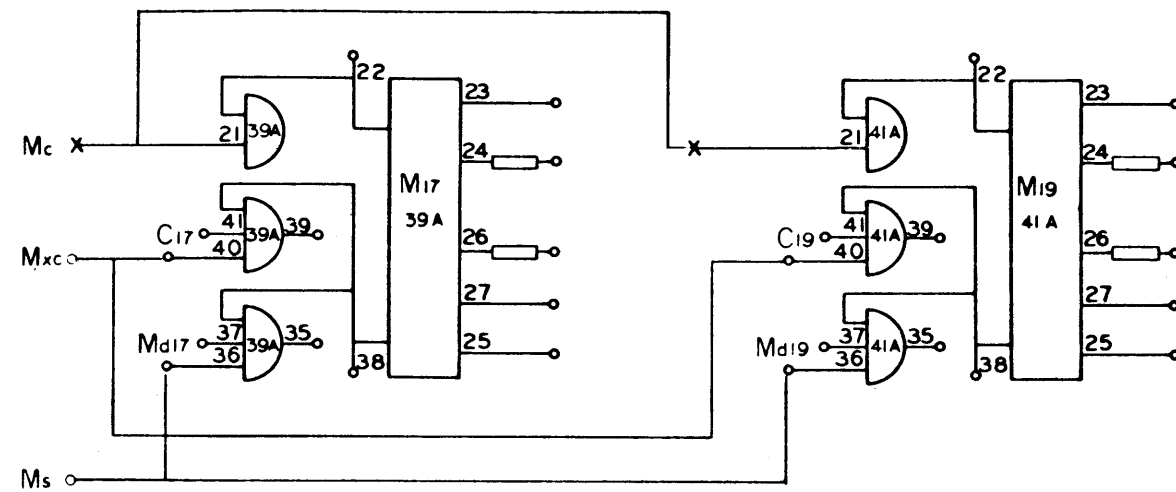


910 - 920
Page 6

101701 A

NO. REQ.	DRAWING NO.	DESCRIPTION	REFERENCE DESIGNATION	ITEM NO.
MATERIAL LIST				
NOTES UNLESS SPECIFIED		DRAWN	CHECK	APPR.
1. TOLERANCES DIM ± 0.005 ANGULAR ± 1/2°				
2. BREAK ALL SHARP EDGES 0.015 RADIUS				
3. HATCH SURFACES ✓				
4. ALL DIM. IN INCHES				
MODFL. NO. 920		SDS SCIENTIFIC DATA SYSTEMS 1542 FIFTEENTH STREET SANTA MONICA CALIFORNIA		TITLE
NEXT ASSY.		DIAGRAM, LOGIC COMPUTER		
		SIZE D	DWS NO. 101701	A
		SCALE	DO NOT SCALE DRAWING	SHEET

REVISIONS				01701	A
REV	DESCRIPTION	CHK	DATE	APPROVED	
A	RELEASED TO MFG				

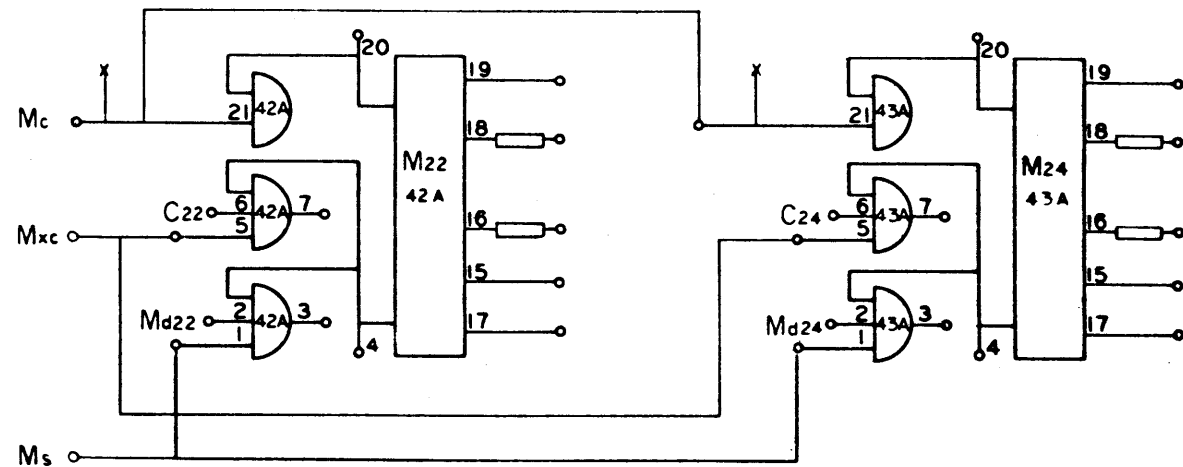
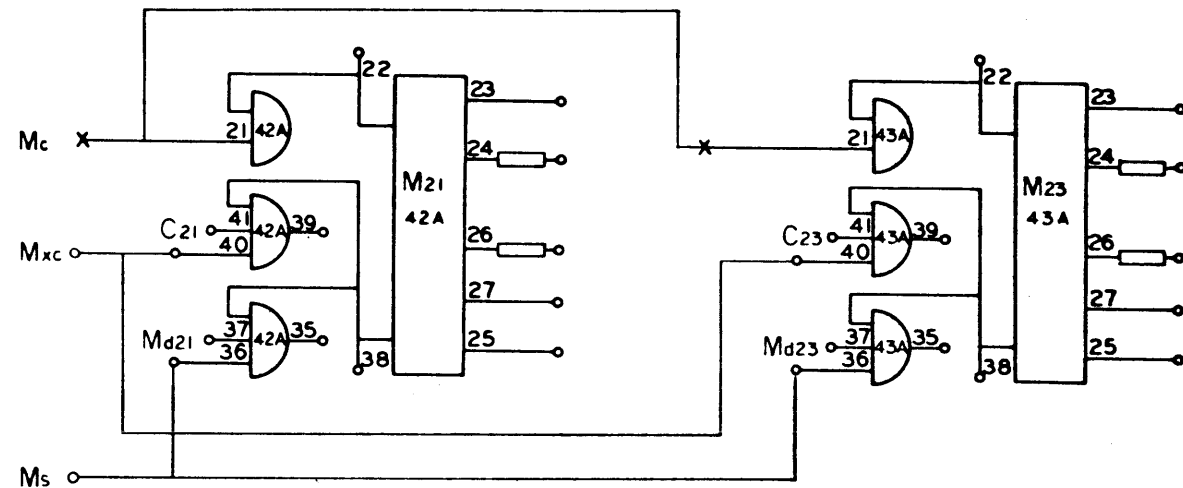


910-920
Page 7

NO. REQ.	DRAWING NO.	DESCRIPTION	REFERENCE DESIGNATION	ITEM NO.
MATERIAL LIST				
NOTES UNLESS SPECIFIED		DRAWN	SDS SCIENTIFIC DATA SYSTEMS <small>1445 FIFTEENTH STREET, SANTA MONICA, CALIFORNIA</small> DIAGRAM, LOGIC COMPUTER	
1. TOLERANCES XX - DIMS SEE 1-010		CHECK		
2. BREAK ALL SHARP EDGES DIM APPROX 3. HATCH SURFACES 4. ALL DIMS IN INCHES		APPR.		
MODEL NO.	920	SIZE	DWG NO.	A
NEXT ASSY.		SCALE	DO NOT SCALE DRAWING	SHEET

101701A

REVISIONS				101701	A
REV	DESCRIPTION	CHK	DATE	APPROVED	
A	RELEASED TO MFG		4/13	[Signature]	



910-920
Page 8

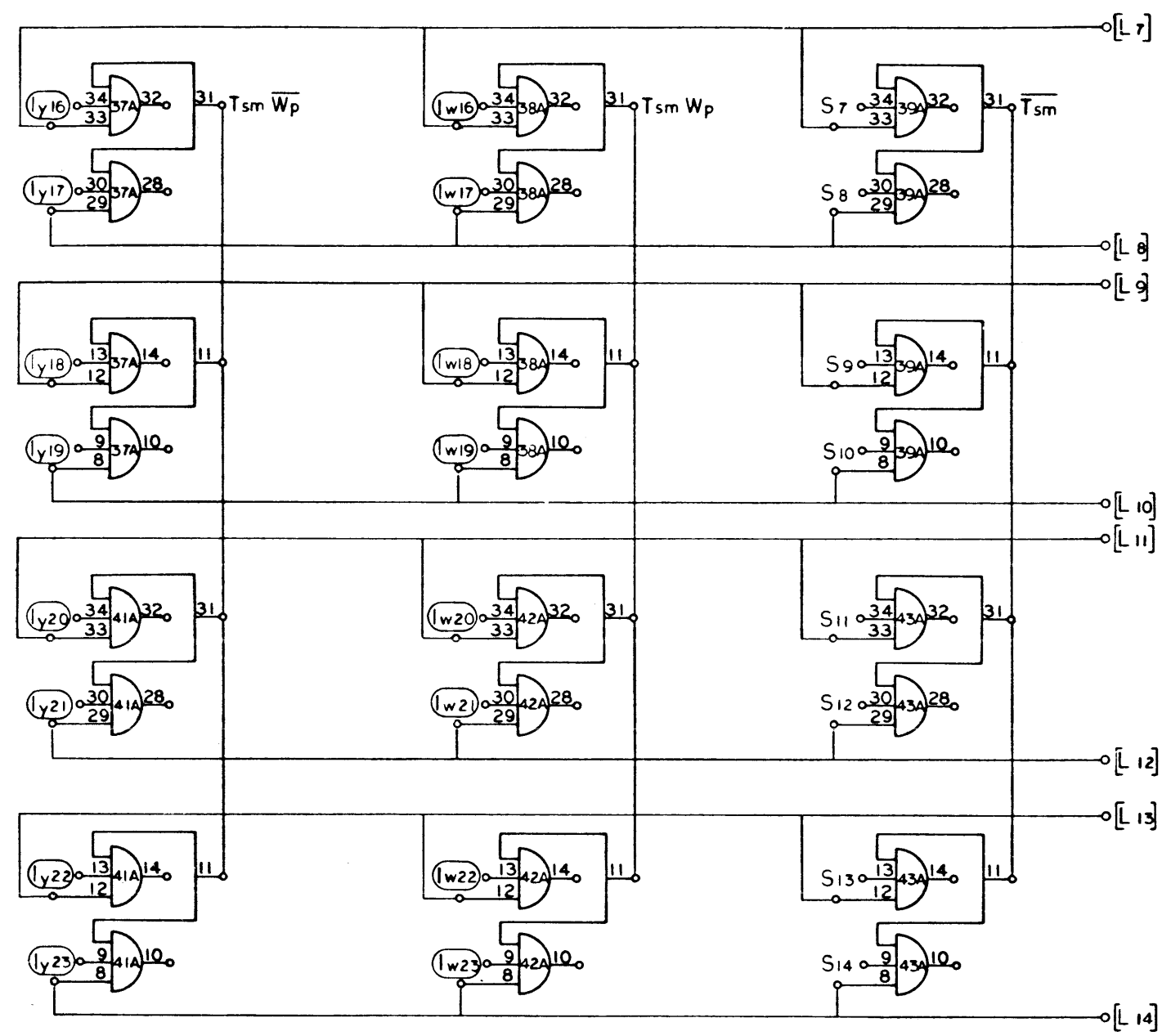
101701 A

NO. REV	DRAWING NO.	DESCRIPTION	REFERENCE DESIGNATION	ITEM NO.
MATERIAL LIST				
NOTES UNLESS SPECIFIED		DRAWN	CHECK	DATE
1. TOLERANCES AS : 000 ANGULAR : 010 2 1/2"		[Signature]	[Signature]	1/16/68
2. BREAK ALL SHARP EDGES 0.05 APPROX.		APPR.	[Signature]	1/9
3. BACK SURFACES				
4. ALL DIM. IN INCHES				
MODEL NO. 920		SIZE DWS NO. D 01701		A
NEXT ASSY.		SCALE DO NOT SCALE DRAWING		SHEET

SDS SCIENTIFIC DATA SYSTEMS
1542 FIFTEENTH STREET SANTA MONICA CALIFORNIA

TITLE
**DIAGRAM LOGIC
COMPUTER**

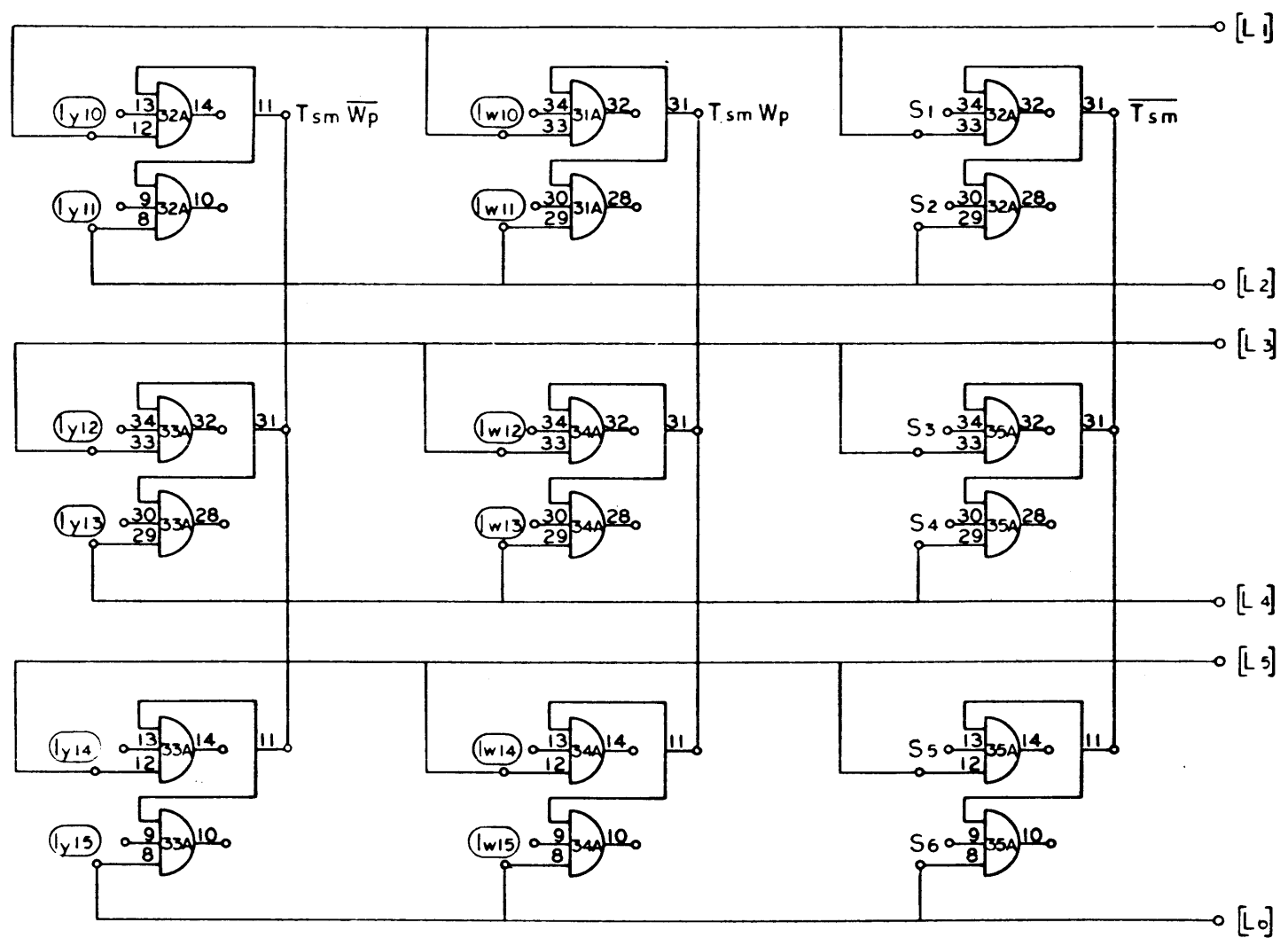
REVISIONS				01701	JA
REV	DESCRIPTION	CHK	DATE	APPROVED	
A	RELEASED TO WFS				



910-920
Page 9

NO. REQ.	DRAWING NO.	DESCRIPTION	REFERENCE DESIGNATION	ITEM NO.
NOTES UNLESS SPECIFIED				
1. TOLERANCES XX ± .030 XXX ± .010		ANGULAR ± 1/4°	DRAWN: [Signature]	
2. BREAK ALL SHARP EDGES 0.10 APPROX		3. EACH SURFACE ✓	CHECK: [Signature]	
4. ALL DIMS IN INCHES		APPR: [Signature]		
MATERIAL LIST				
SDS SCIENTIFIC DATA SYSTEMS 1542 FIFTEENTH STREET, SANTA MONICA, CALIFORNIA				
TITLE: DIAGRAM, LOGIC COMPUTER				
MODEL NO. 920			SIZE D	DWG NO. 101701
NEXT ASSY			SCALE	DO NOT SCALE DRAWING SHEET

REVISIONS			
REV	DESCRIPTION	CHK	DATE
A	RELEASED TO MFG		



910-920
Page 10

101701 A

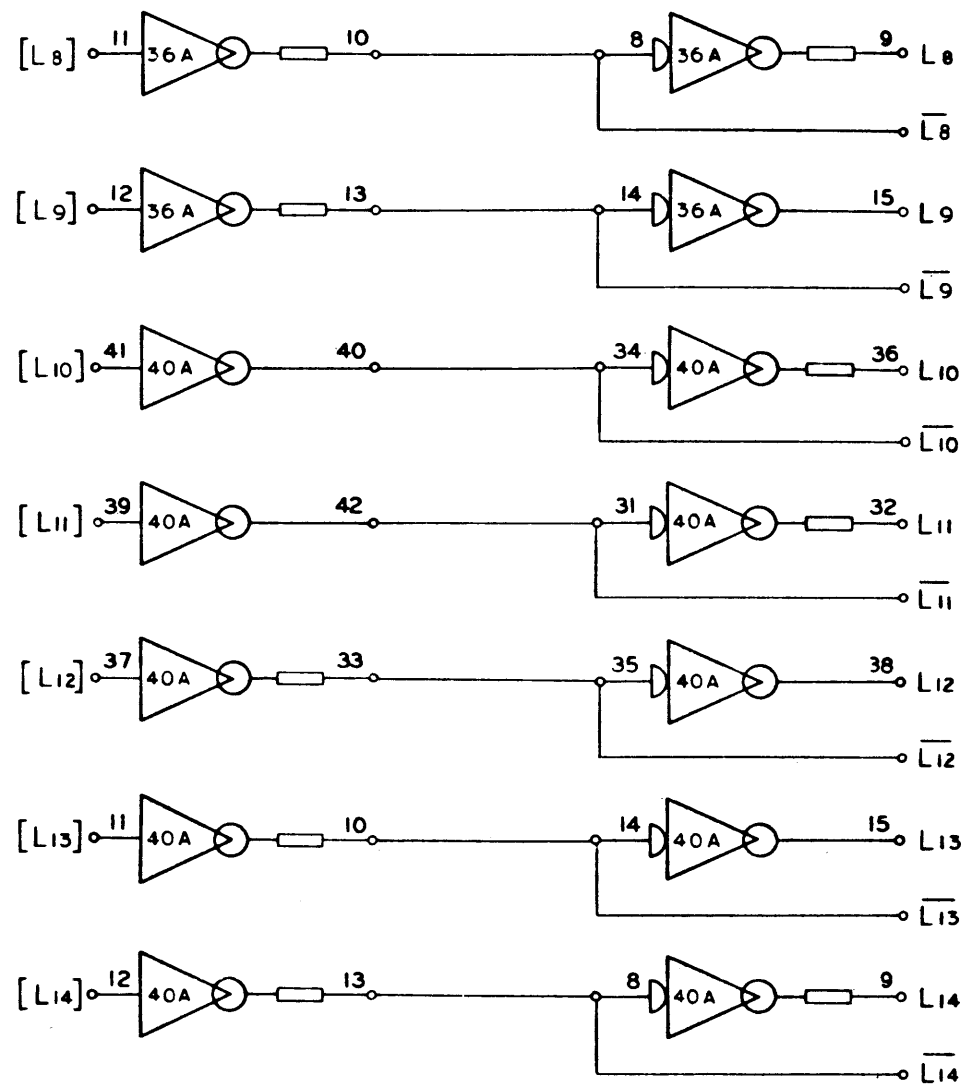
NO. REQ.	DRAWING NO.	DESCRIPTION	REFERENCE DESIGNATION	ITEM NO.
MATERIAL LIST				
NOTES UNLESS SPECIFIED		DRAWN	CHECK	APPR.
1. TOLERANCES XX ± 0.00 ANGULAR XXX ± 0.10 2 1/2°				
2. BREAK ALL SHARP EDGES 0.10 APPROX.				
3. MACH. SURFACES ✓				
4. ALL DIM. IN INCHES				
MODEL NO. 920		SIZE D		DWS NO. 101701
NEXT ASSY.		SCALE		SHEET

SDS SCIENTIFIC DATA SYSTEMS
1942 FIFTEENTH STREET SANTA MONICA CALIFORNIA

TITLE
DIAGRAM, LOGIC
COMPUTER

A

REVISIONS				101701	A
REV	DESCRIPTION	CHK	DATE	APPROVED	
A	RELEASED TO MFG				

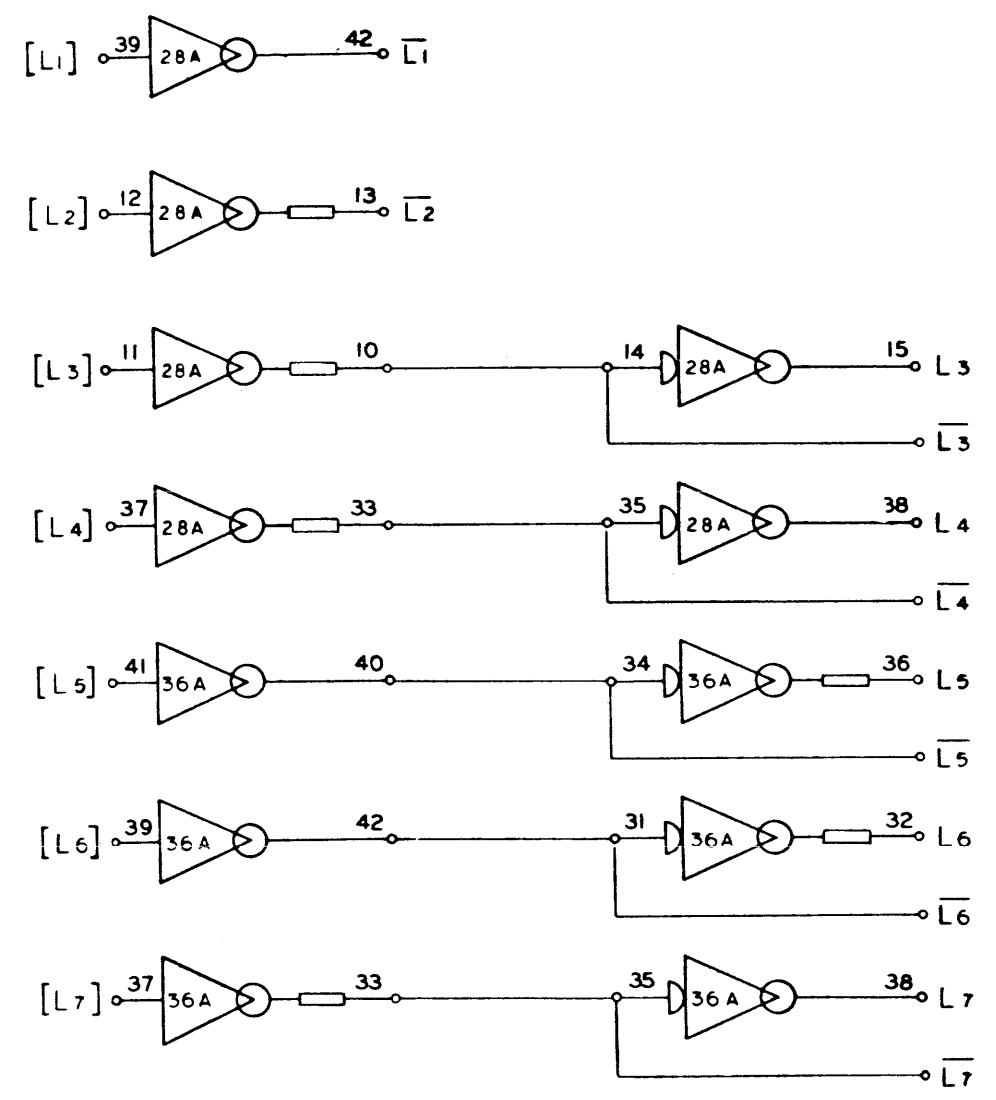


910 - 920
Page 11

NO. REV.	DRAWING NO.	DESCRIPTION	REFERENCE DESIGNATION	ITEM NO.
MATERIAL LIST				
NOTES UNLESS SPECIFIED		DRAWN	SDS SCIENTIFIC DATA SYSTEMS 1542 FIFTEENTH STREET SANTA MONICA CALIFORNIA	
1. TOLERANCES .25 ± .030 ANGULAR .125 ± .010 ± .01" 2. BREAK ALL SHARP EDGES 3/16 APPROX. 3. HATCH SURFACES ✓ 4. ALL DIMS. IN INCHES		CHECK		
		APPR.	DATE	TITLE
				DIAGRAM, LOGIC COMPUTER
MODEL NO.	920	SIZE	DWG NO.	A
NEXT ASSY.		D	101701	
		SCALE	DO NOT SCALE DRAWING	SHEET

101701-1A-1

REVISIONS				C1701		A	
REV	DESCRIPTION	CHK	DATE	APPROVED			
A	RELEASED TO MFG						

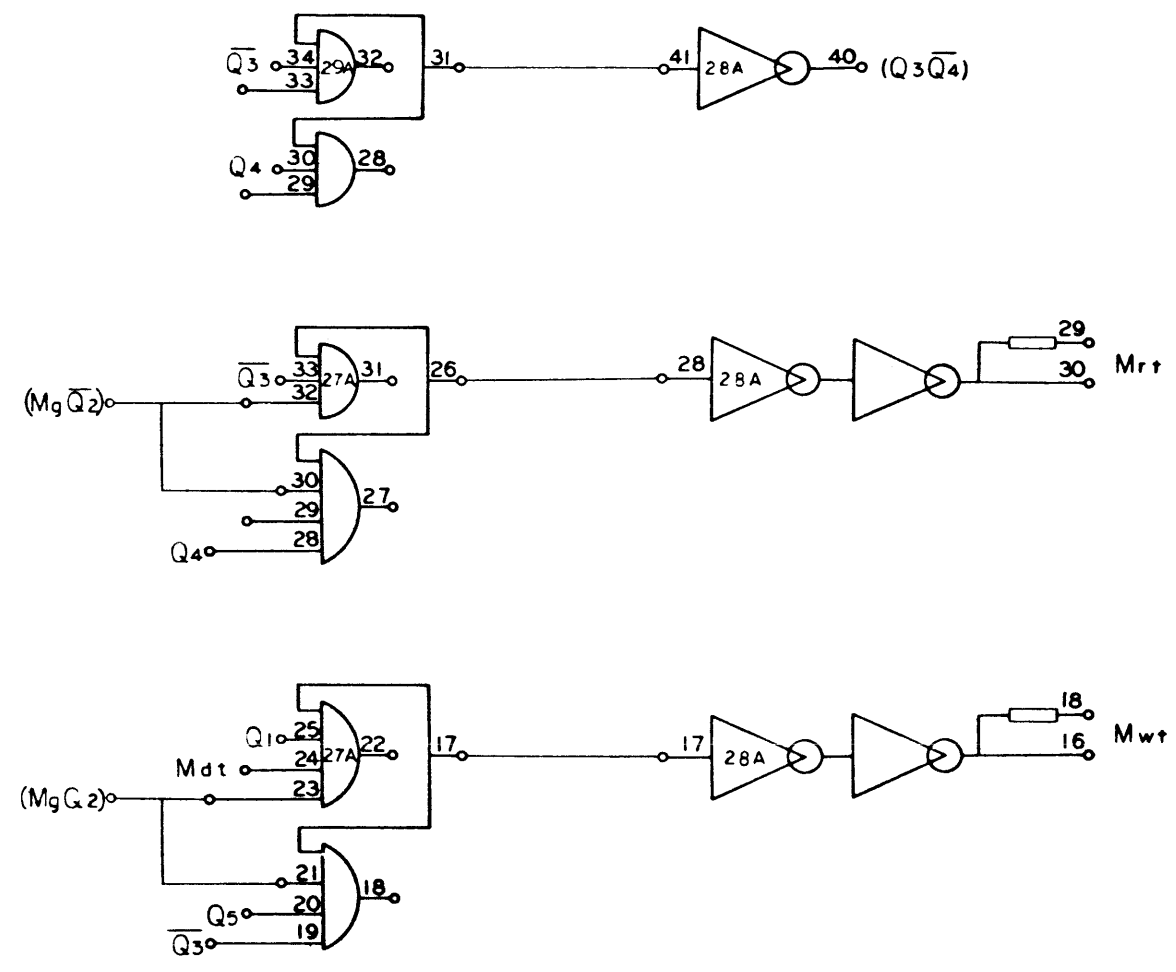


910-920
Page 12

101701 A

NO. REQ.	DRAWING NO.	DESCRIPTION	REFERENCE DESIGNATION	ITEM NO.
MATERIAL LIST				
NOTES UNLESS SPECIFIED 1. TOLERANCES .33 ± .030 ANGULAR .33 ± .010 2 1/2" 2. BREAK ALL SHARP EDGES .010 APPROX. 3. MACH. SURFACES ✓ 4. ALL DIMS. IN INCHES				
DRAWN				
CHECK				
APPR				
SDS SCIENTIFIC DATA SYSTEMS 1545 FIFTEENTH STREET SANTA MONICA CALIFORNIA				
TITLE				
DIAGRAM LOGIC COMPUTER				
MODEL NO.		920		
NEXT ASSY.				
SIZE		D		
DWS NO.		101701		
SCALE		DO NOT SCALE DRAWING		
		SHEET		

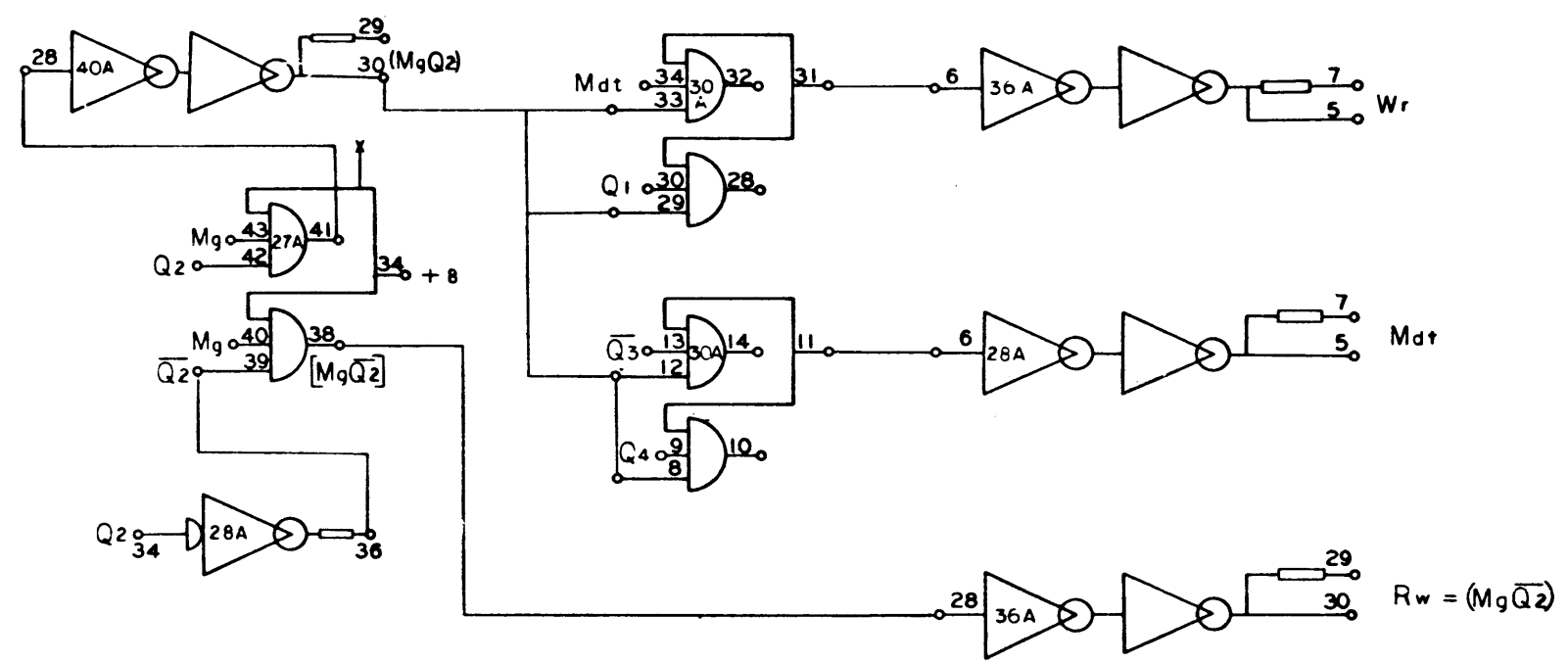
REVISIONS				10170	D
REV	DESCRIPTION	CHK	DATE	APPROVED	
A	RELEASED TO MFG				
D	SEE REV E.O.				



910-920
Page 13
D

NO. REQ.	DRAWING NO.	DESCRIPTION	REFERENCE DESIGNATION	ITEM NO.
MATERIAL LIST				
NOTES UNLESS SPECIFIED		DRAWN		
1. TOLERANCES 28 - DIA 33 - DIA 34 - DIA		CHECK		
2. BREAK ALL SHARP EDGES D10 APPROX		APPR		
3. MACH SURFACES ✓				
4. ALL DIM. IN INCHES				
		 1842 FIFTEENTH STREET SANTA MONICA, CALIFORNIA		
		TITLE DIAGRAM, LOGIC COMPUTER		
MODEL NO.	920	SIZE	DWG NO.	D
NEXT ASSY.			101701	D
		SCALE	DO NOT SCALE DRAWING	SHEET

REVISIONS				101701	A
REV	DESCRIPTION	CHK	DATE	APPROVED	
A	RELEASED TO MFG				

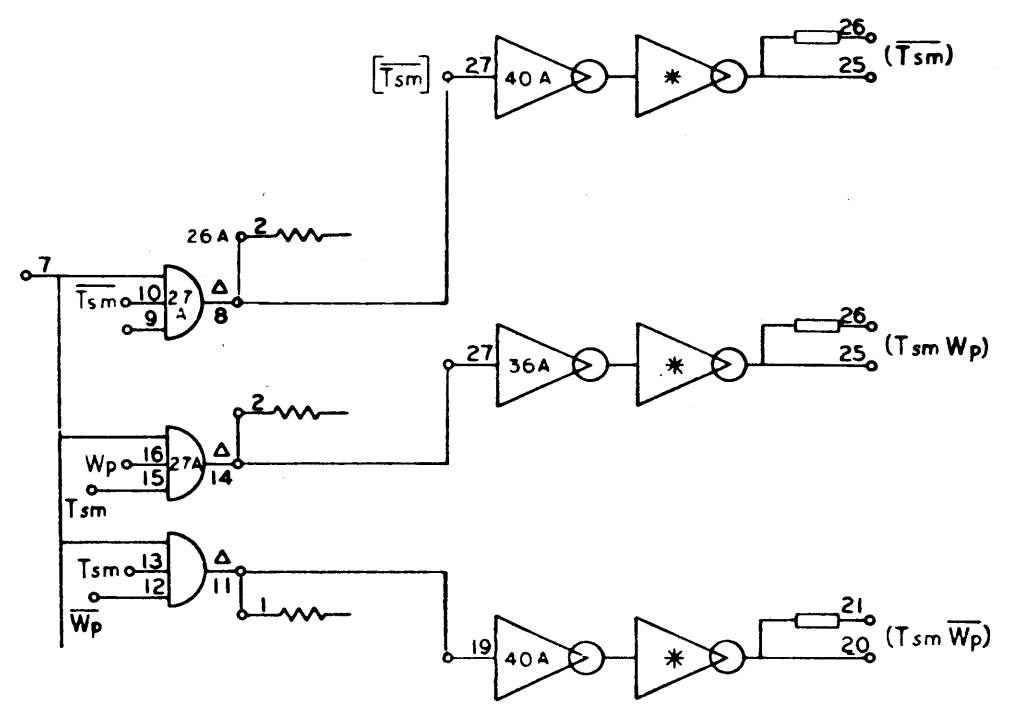


910-920
Page 14

101701 A

NO. REQ.	DRAWING NO.	DESCRIPTION	REFERENCE DESIGNATION	ITEM NO.
MATERIAL LIST				
NOTES UNLESS SPECIFIED: 1. TOLERANCES: .XX ± .000 ANGULAR .XXX ± .010 ± 1/2° 2. BREAK ALL SHARP EDGES .010 APPROX. 3. HATCH SURFACES ✓ 4. ALL DIMS IN INCHES				
DRAWN: [Signature] CHECK: [Signature] 11/3/62 APPR: [Signature] 11/2/62		SDS SCIENTIFIC DATA SYSTEMS 1545 FIFTEENTH STREET, SANTA MONICA, CALIFORNIA TITLE: DIAGRAM, LOGIC COMPUTER		
MODEL NO. 920		SIZE D		DWG NO. 101701
NEXT ASSY.		SCALE		DO NOT SCALE DRAWINGS SHEET

REVISIONS				10701	A
REV	DESCRIPTION	CHK	DATE	APPROVED	
A	RELEASED TO MFG	<i>[Signature]</i>	11/75	<i>[Signature]</i>	

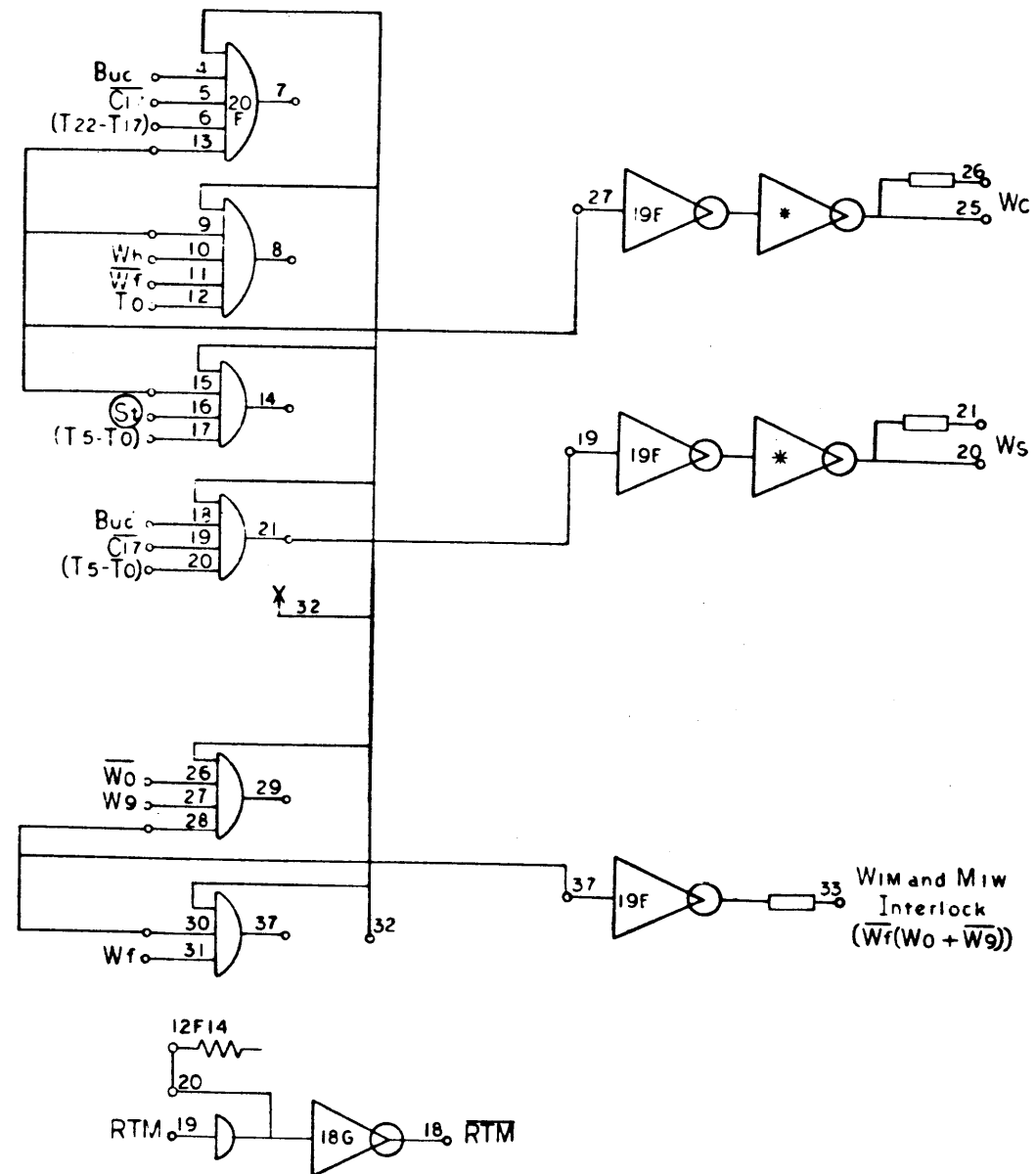


910-920
Page 15

NO. REQ.	DRAWING NO.	DESCRIPTION	REFERENCE DESIGNATION	ITEM NO.
MATERIAL LIST				
NOTES UNLESS SPECIFIED		DRAWN	<div style="text-align: center;"> <p>1542 FIFTEENTH STREET SANTA MONICA CALIFORNIA</p> <p>DIAGRAM LOGIC COMPUTER</p> </div>	
1. TOLERANCES FRACTIONS ± .000 ANGULAR ± 15'		CHECK <i>[Signature]</i> 11/75		
2. BREAK ALL SHARP EDGES D10 APPROX		APPR <i>[Signature]</i> 11/75		
3. MACH SURFACES ✓			MODEL NO. 920	
4. ALL DIM. IN INCHES			NEXT ASSY.	
			SIZE D	DWG NO. 101701
			SCALE	DO NOT SCALE DRAWING SHEET

101701 | A |

REV		DESCRIPTION	CHE	DATE	APPROVED
A		RELEASED TO MFG			
M		SEE REV E.O.			

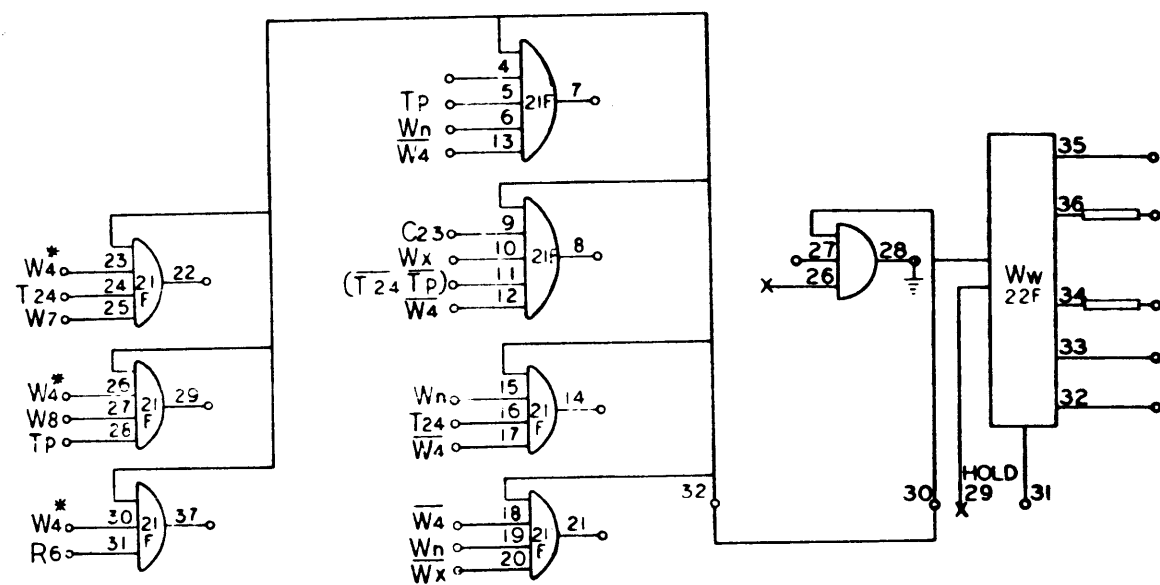


920
Page 16
M

101701 M

NO. REV.	DRAWING NO.	DESCRIPTION	REFERENCE DESIGNATION	ITEM NO.
MATERIAL LIST				
NOTES UNLESS SPECIFIED		DRAWN	CHECK	APPR
1 TOLERANCES XX ± .000 ANGULAR XXX ± .010 ± 1°				
2 BREAK ALL SHARP EDGES 0.10 APPROX				
3 HATCH SURFACES ✓				
4 ALL DIM. IN INCHES				
MODEL NO 920		TITLE DIAGRAM, LOGIC COMPUTER		SIZE D
NEXT ASSY.		DWG NO. 101701		SHEET M
SCALE		DO NOT SCALE DRAWING		SHEET

REVISIONS				101701	A
REV.	DESCRIPTION	CHK	DATE	APPROVED	
A	RELEASED TO MFG				

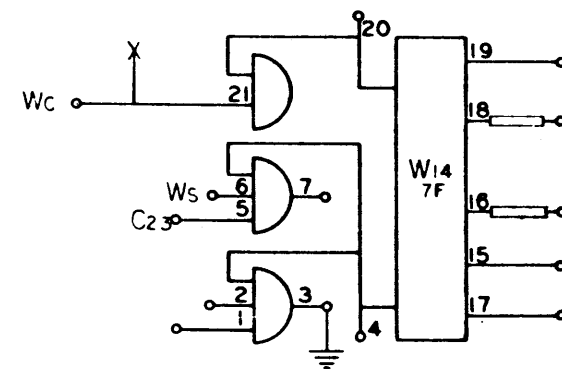
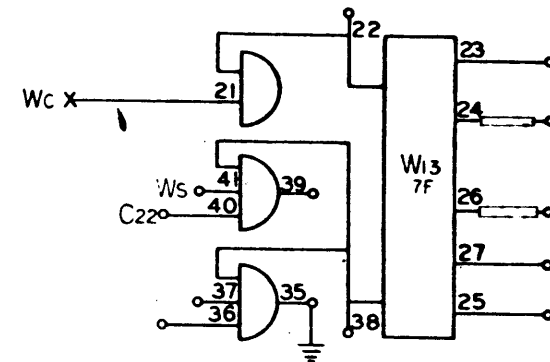


920
Page 17

NO. RES.	DRAWING NO.	DESCRIPTION	REFERENCE DESIGNATION	ITEM NO.
MATERIAL LIST				
NOTES UNLESS SPECIFIED		DRAWN	CHECK	DATE
1. TOLERANCES XX ± 0.00 ANGLULAR XXX ± 0.00 ± 1°			<i>J. W. Co.</i>	1/15/62
2. BREAK ALL SHARP EDGES 0.10 APPROX		APPR	<i>J. W. Co.</i>	1/19/62
3. HATCH SURFACES ✓				
4. ALL DIM. IN INCHES				
MODEL NO. 920		SIZE	DWG NO. D 101701	A
NEXT ASSY.		SCALE	DO NOT SCALE DRAWING	SHEET

101701 JA1

REVISIONS				101701	A
REV	DESCRIPTION	CHK	DATE	APPROVED	
A	RELEASED TO MFG				

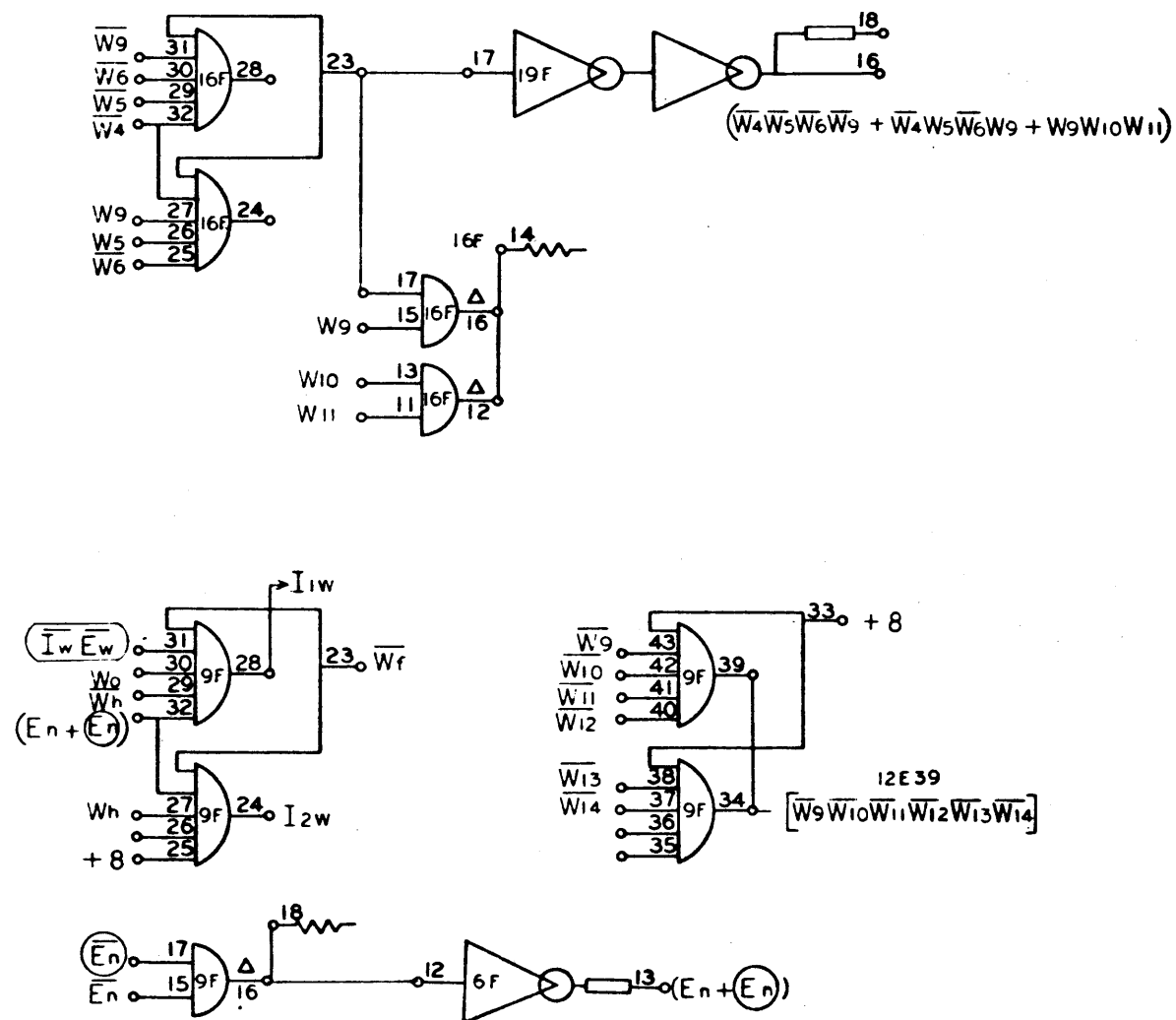


920
Page 18

NO	DRAWING NO	DESCRIPTION	REFERENCE DESIGNATION	ITEM NO.
MATERIAL LIST				
NOTES UNLESS SPECIFIED		DRAWN	SDS SCIENTIFIC DATA SYSTEMS 1545 FIFTEENTH STREET SANTA MONICA CALIFORNIA	
1 TOLERANCES XX ± .000 ANGULAR XXX ± .010 2°-1°		CHECK	TITLE	
2 BREAK ALL SHARP EDGES Ø10 APPROX		APPR	DIAGRAM, LOGIC COMPUTER	
3 HATCH SURFACES ✓				
4 ALL DIM. IN INCHES				
MODEL NO.	920	SIZE	DWG NO.	A
NEXT ASSY		SCALE	DO NOT SCALE DRAWING	SHEET

101701 | A |

REVISIONS				101701	A
REV	DESCRIPTION	CHE	DATE	APPROVED	
A	RELEASED TO MFG				

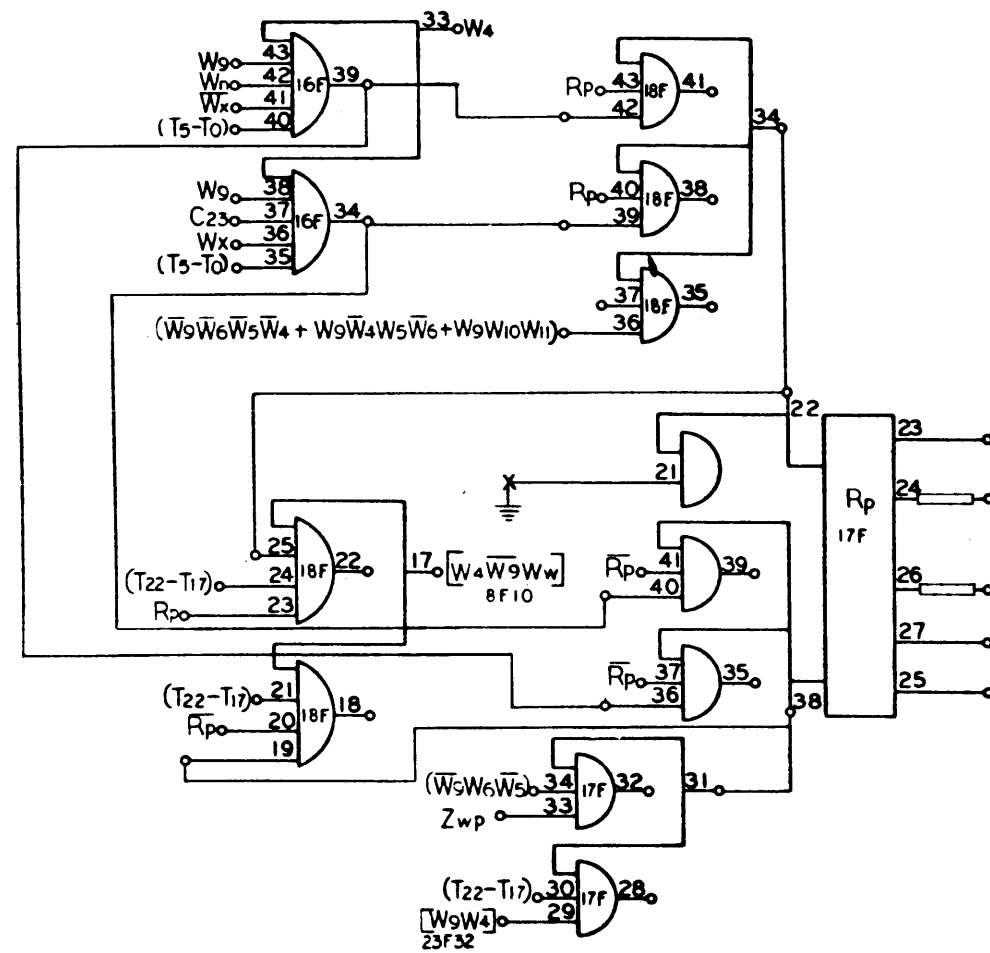


920
Page 19

NO. REQ	DRAWING NO.	DESCRIPTION	REFERENCE DESIGNATION	ITEM NO.	
MATERIAL LIST					
NOTES UNLESS SPECIFIED		DRAWN	SDS SCIENTIFIC DATA SYSTEMS 1542 FIFTEENTH STREET SANTA MONICA CALIFORNIA TITLE DIAGRAM, LOGIC COMPUTER		
1. TOLERANCES X.X = DIM ANGLULAR X.XX = DIM 2-1/2"		CHECK			1/3/62
2. BREAK ALL SHARP EDGES 3. MACH. SURFACES ✓ 4. ALL DIM. IN INCHES		APPR			1/19/62
MODEL NO.	920	SIZE	DWG NO.	A	
NEXT ASSY.		D	101701		
SCALE	DO NOT SCALE DRAWING		SHEET		

101701 1A1

REVISIONS			101701	A
REV	DESCRIPTION	CHK	DATE	APPROVED
A	RELEASED TO MFG			

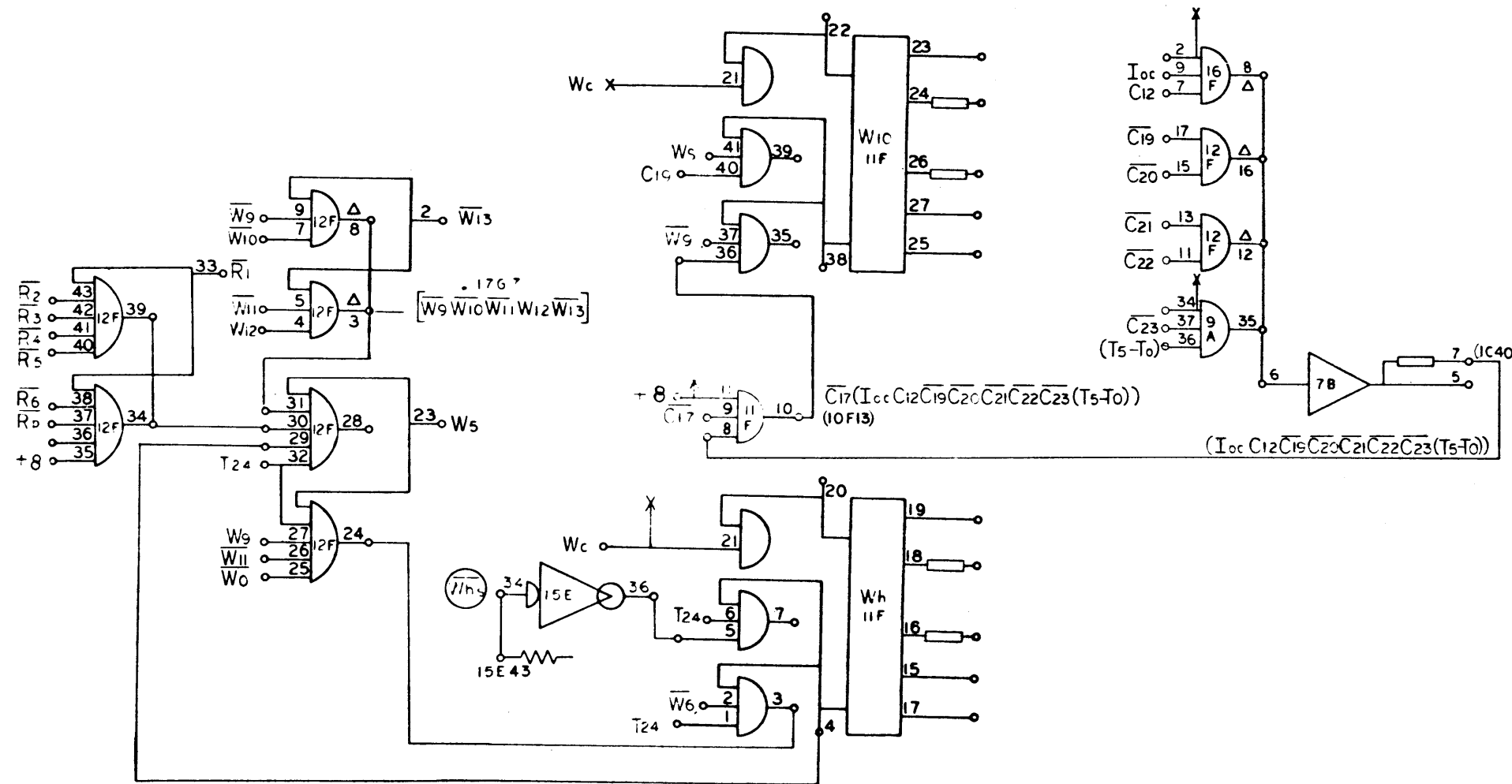


920
Page 20

NO. REV.	DRAWING NO.	DESCRIPTION	REFERENCE DESIGNATION	ITEM NO.
MATERIAL LIST				
NOTES UNLESS SPECIFIED		DRAWN	CHECK	APPR.
1. TOLERANCES 2. DIMENSIONS 3. BREAK ALL SHARP EDGES 4. HATCH SURFACES 5. ALL DIM. IN INCHES				
		DIAGRAM, LOGIC COMPUTER		
MODEL NO.	920	SIZE	DWG NO.	A
NEXT ASSY.			101701	
		SCALE	DO NOT SCALE DRAWING	SHEET

101701 | A

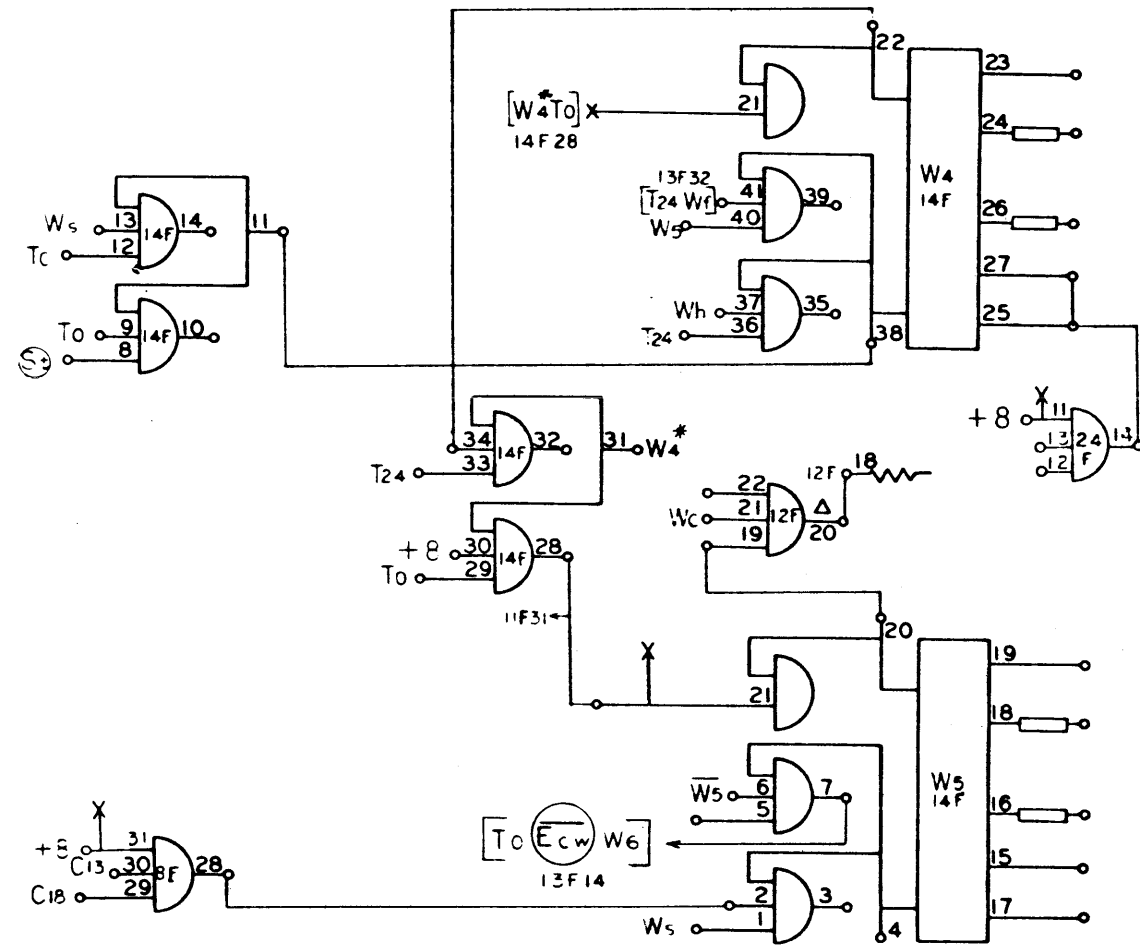
REVISIONS				101701	J
REV	DESCRIPTION	CHK	DATE	APPROVED	
A	RELEASED TO MFG				
F	SEE REV E.O.				
J	SEE REV E.O.				



920
Page 21
J

NO. REV.	DRAWING NO.	DESCRIPTION	REFERENCE DESIGNATION	ITEM NO.
NOTES UNLESS SPECIFIED				
1. TOLERANCES XX ± 0.00 ANGULAR XXX ± 0.01 ± 1/4"				
2. BREAK ALL SHARP EDGES 0.10 APPROX				
3. BACK SURFACES ✓				
4. ALL DIM. IN INCHES				
DRAWN		MATERIAL LIST		
CHECK		SDS SCIENTIFIC DATA SYSTEMS 1542 FIFTEENTH STREET SANTA MONICA CALIFORNIA		
APPR		TITLE DIAGRAM, LOGIC COMPUTER		
MODEL NO. 920		SIZE D		DWS NO. 101701 J
NEXT ASSY.		SCALE DO NOT SCALE DRAWING SHEET		

REV		REVISIONS			101701		A
REV	DESCRIPTION	CHK	DATE	APPROVED			
A	RELEASED TO MFG						

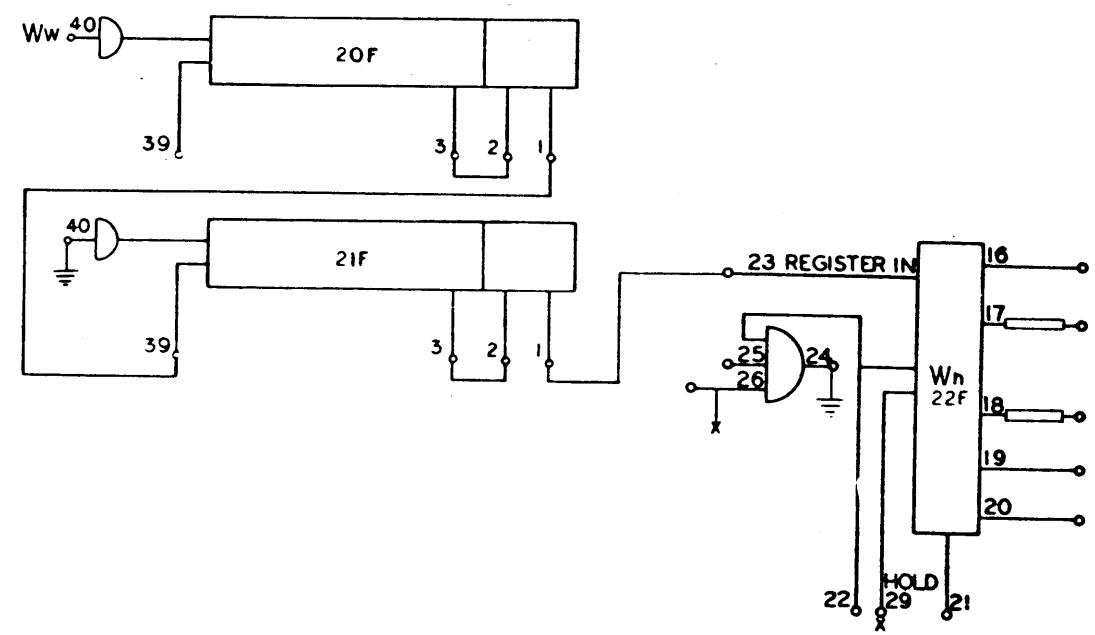


920
Page 22

NO. REV.	DRAWING NO.	DESCRIPTION	REFERENCE DESIGNATION	ITEM NO.
MATERIAL LIST				
NOTES UNLESS SPECIFIED		DRAWN	SDS SCIENTIFIC DATA SYSTEMS 1945 FIFTEENTH STREET SANTA MONICA CALIFORNIA	
1. TOLERANCES XX ± 0.010 ANGULAR XX ± 0.10 ± 1/2°		CHECK		
2. BREAK ALL SHARP EDGES BY APPROX ✓ 3. HATCH SURFACES ✓ 4. ALL DIM. IN INCHES		APPR		
MODEL NO. 920 NEXT ASSY.		TITLE DIAGRAM, LOGIC COMPUTER		SIZE D
		DWS NO. 101701		SHEET A
		SCALE DO NOT SCALE DRAWING		SHEET

101701 A

REVISIONS				101701	A
REV	DESCRIPTION	CHK	DATE	APPROVED	
A	RELEASED TO MFG				



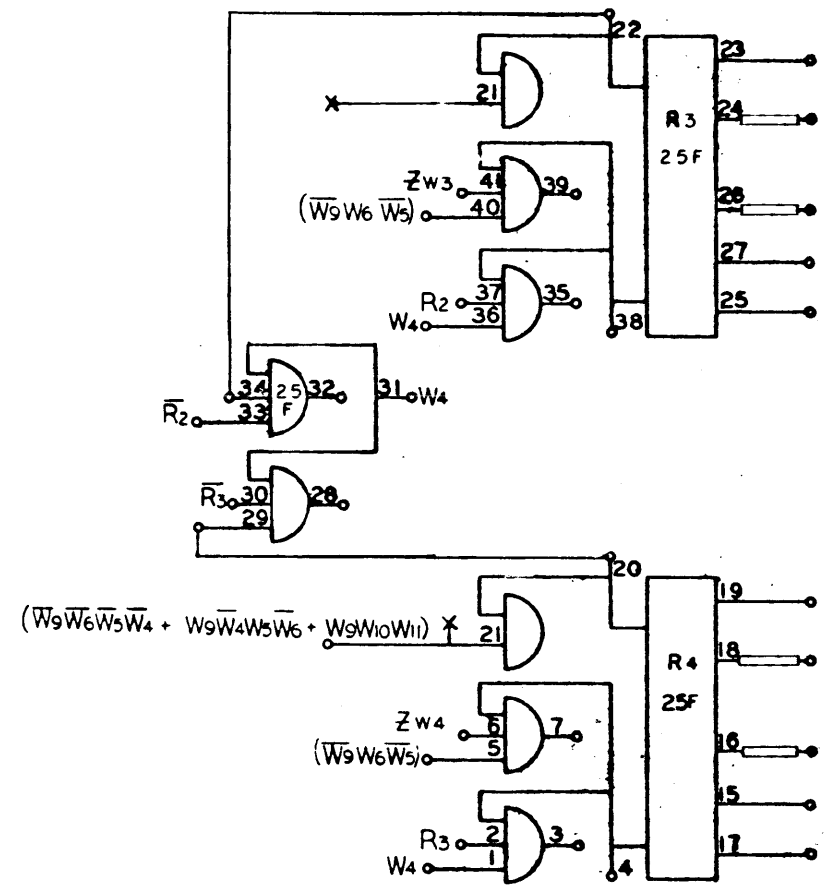
920
Page 23

NO. REQ.	DRAWING NO.	DESCRIPTION	REFERENCE DESIGNATION	ITEM NO.
MATERIAL LIST				
NOTES UNLESS SPECIFIED		CRAWN	<div style="text-align: center;"> <p>SDS SCIENTIFIC DATA SYSTEMS 342 FIFTEENTH STREET SANTA MONICA, CALIFORNIA</p> </div>	
1 TOLERANCES XX ± .030 ANGULAR XXX ± .010 ± .1°		CHECK <i>SD</i> <i>1/1/62</i>		
2 BREAK ALL SHARP EDGES 0.10 APPROX		APPR <i>SD</i> <i>1/1/62</i>		
3 MACH SURFACES ✓ 4 ALL DIM IN INCHES			TITLE DIAGRAM, LOGIC COMPUTER	
MODEL NO.	920		SIZE	DWG NO.
NEXT ASSY			D	101701
				A
SCALE			DO NOT SCALE DRAWING	SHEET

101701 A

REVISIONS				101701	A
REV	DESCRIPTION	CHR	DATE	APPROVED	
A	RELEASED TO MFG				

REVISIONS				
REV	DESCRIPTION	CHR	DATE	APPROVED

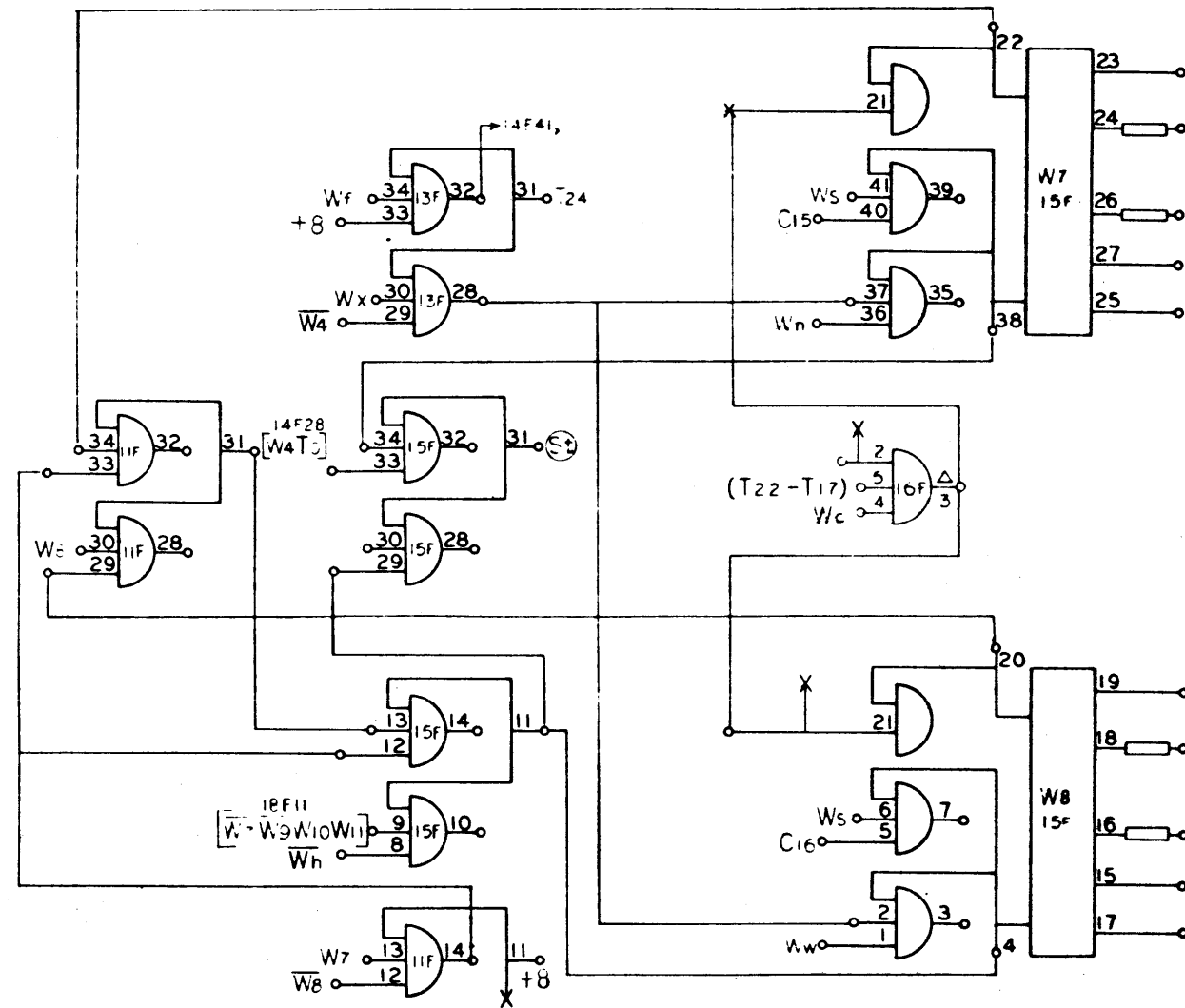


NO. REQ.	DRAWING NO.	DESCRIPTION	REFERENCE DESIGNATION	ITEM NO.
MATERIAL LIST				
NOTES UNLESS SPECIFIED				
1. TOLERANCES 22 ± .030 ANGULAR 25 ± .030 2.5°				
2. BREAK ALL SHARP EDGES 0.10 APPROX				
3. MACH SURFACES ✓				
4. ALL DIM. IN INCHES				
SDS SCIENTIFIC DATA SYSTEMS 1542 FIFTEENTH STREET SANTA MONICA, CALIFORNIA				
920				
Page 24				
SCALE DO NOT SCALE DRAWING SHEET				

NO. REQ.	DRAWING NO.	DESCRIPTION	REFERENCE DESIGNATION	ITEM NO.
MATERIAL LIST				
NOTES UNLESS SPECIFIED				
1. TOLERANCES 22 ± .030 ANGULAR 25 ± .030 2.5°				
2. BREAK ALL SHARP EDGES 0.10 APPROX				
3. MACH SURFACES ✓				
4. ALL DIM. IN INCHES				
SDS SCIENTIFIC DATA SYSTEMS 1542 FIFTEENTH STREET SANTA MONICA, CALIFORNIA				
DIAGRAM, LOGIC COMPUTER				
920				
D 101701 A				
SCALE DO NOT SCALE DRAWING SHEET				

101701 | A |

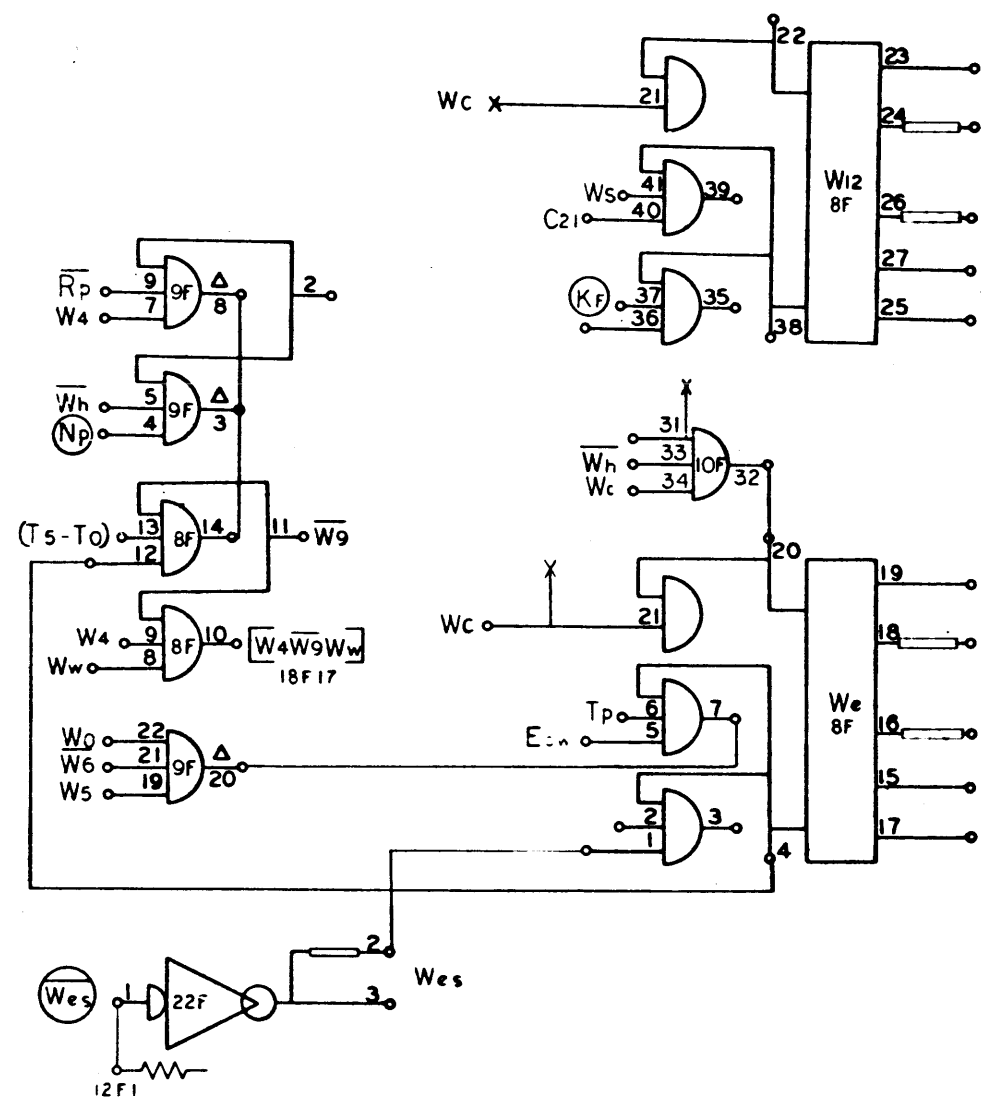
REVISIONS				101701
REV	DESCRIPTION	CHK	DATE	APPROVED
A	RELEASED TO MFG			
D	SEE REV. E.O.	DPF	1/13	
J	SEE REV. E.O.			



920
Page 25
J

NO. REQ.	DRAWING NO.	DESCRIPTION	REFERENCE DESIGNATION	ITEM NO.
MATERIAL LIST				
NOTES UNLESS SPECIFIED		DRAWN	CHECK	APPR
1. TOLERANCES XX - 0.00 ANGLULAR XXX - 0.00		1/3/67	1/3/67	1/3/67
2. BREAK ALL SHARP EDGES 0.10 APPROX				
3. HATCH SURFACES				
4. ALL DIM. IN INCHES				
SDS SCIENTIFIC DATA SYSTEMS 1542 FIFTEENTH STREET, SANTA MONICA, CALIFORNIA				
TITLE DIAGRAM, LOGIC COMPUTER				
MODEL NO.	920	SIZE	DWG NO.	J
NEXT ASSY.			D 101701	
SCALE			DO NOT SCALE DRAWING	SHEET

REVISIONS				101701	L
REV	DESCRIPTION	CHK	DATE	APPROVED	
A	RELEASED TO MFG				
F	SEE REV E.O.				
J	SEE REV E.O.				
L	SEE REV E.O.				



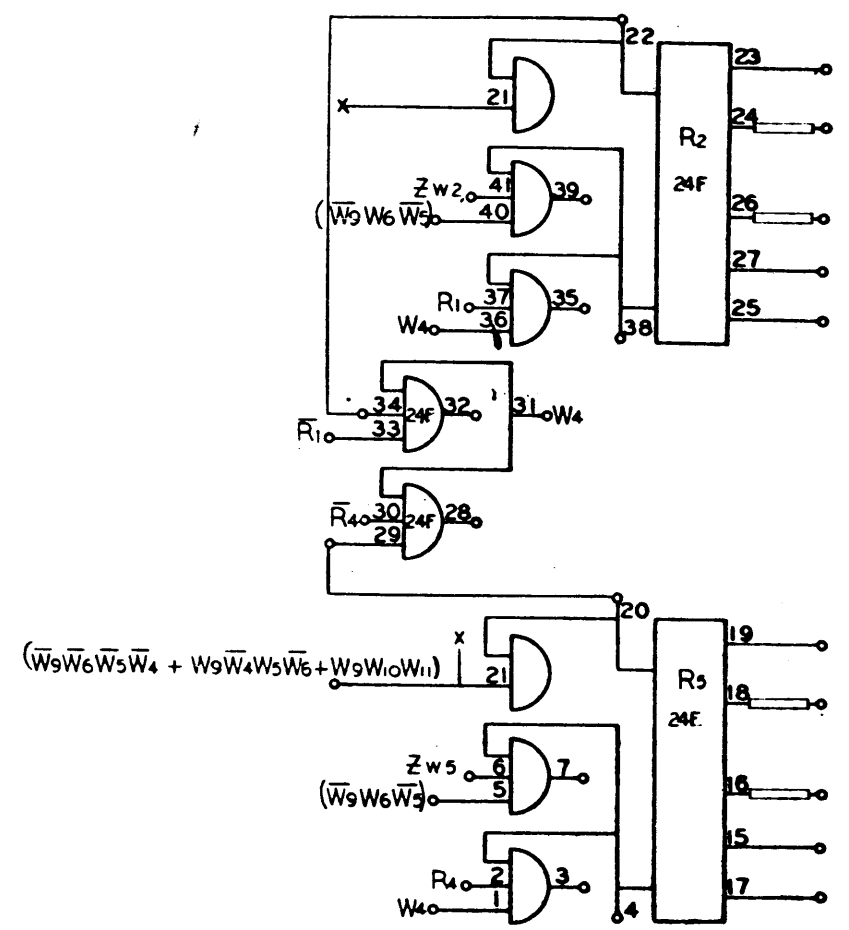
920
Page 26
L

101701 L

NO. REQ.	DRAWING NO.	DESCRIPTION	REFERENCE DESIGNATION	ITEM NO.
MATERIAL LIST				
NOTES UNLESS SPECIFIED		DRAWN: [Signature] CHECK: [Signature] APPR: [Signature]	SDS SCIENTIFIC DATA SYSTEMS 1542 FIFTEENTH STREET, SANTA MONICA, CALIFORNIA	
1. TOLERANCES XX ± 0.00 ANGULAR .XX ± 0.00 2-1" 2. BREAK ALL SHARP EDGES 3/16 APPROX 3. MACH SURFACES ✓ 4. ALL DIM IN INCHES		TITLE DIAGRAM, LOGIC COMPUTER		
MODEL NO. 920		SIZE D	DWG NO. 101701	L
NEXT ASSY.		SCALE	DO NOT SCALE DRAWING	SHEET

REVISIONS				
REV	DESCRIPTION	CHK	DATE	APPROVED
A	RELEASED TO MFG			

REVISIONS				
REV	DESCRIPTION	CHK	DATE	APPROVED

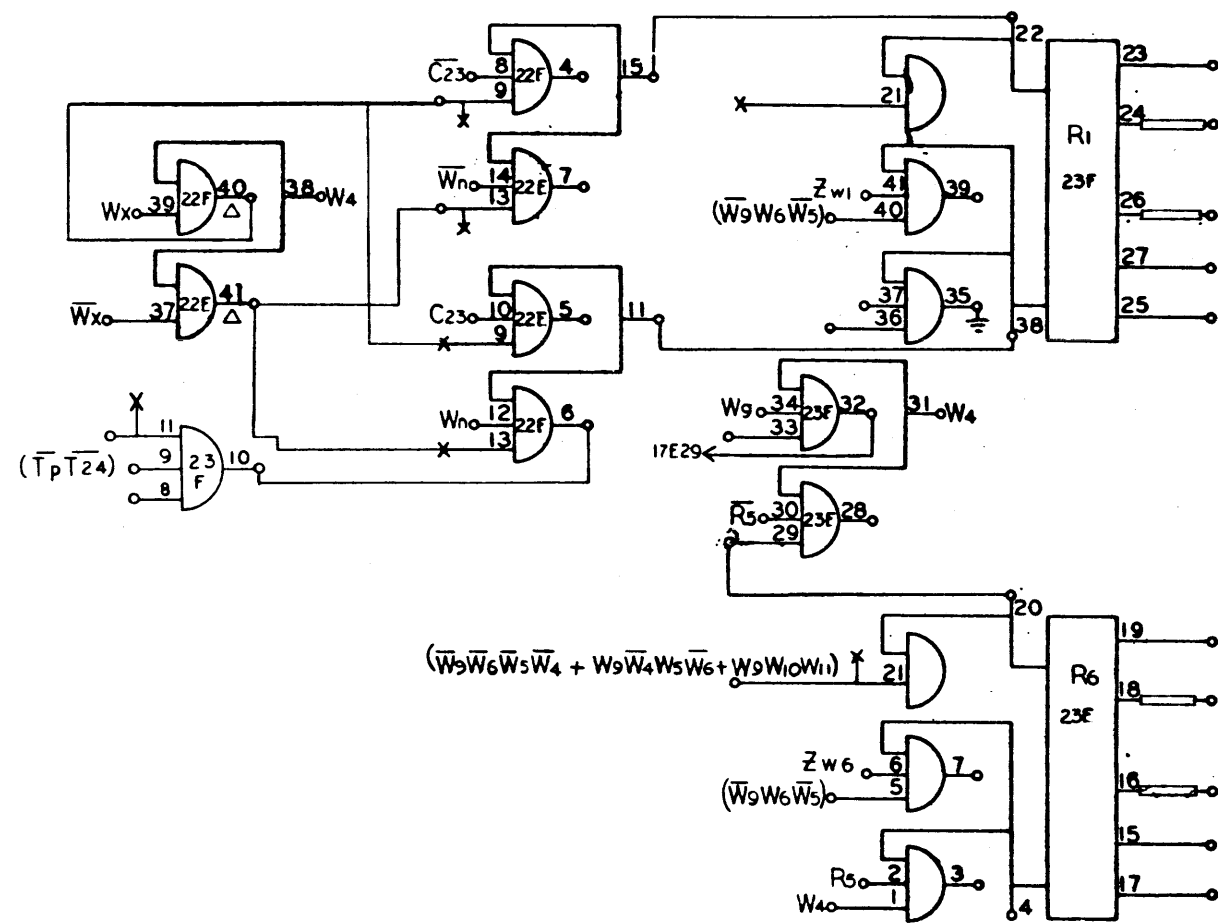


NO. REQ.	DRAWING NO.	DESCRIPTION	REFERENCE DESIGNATION	ITEM NO.
MATERIAL LIST				
NOTES UNLESS SPECIFIED		DRAWN	CHECK	
1. TOLERANCES XX ± .000 ANGULAR XXX ± .010 ± .1°		APPR		
2. BREAK ALL SHARP EDGES Ø10 APPROX				
3. BACK SURFACES				
4. ALL DIM. IN INCHES				
MODEL NO.		SIZE	DWS NO.	
NEXT ASSY.		C	920	Page 27
		SCALE	DO NOT SCALE DRAWING	SHEET

NO. REQ.	DRAWING NO.	DESCRIPTION	REFERENCE DESIGNATION	ITEM NO.
MATERIAL LIST				
NOTES UNLESS SPECIFIED		DRAWN	CHECK	
1. TOLERANCES XX ± .000 ANGULAR XXX ± .010 ± .1°		APPR		
2. BREAK ALL SHARP EDGES Ø10 APPROX				
3. BACK SURFACES				
4. ALL DIM. IN INCHES				
MODEL NO.		SIZE	DWS NO.	
920		D	101701	A
NEXT ASSY.		SCALE	DO NOT SCALE DRAWING	SHEET

101701 | A |

REVISIONS				101701	A
REV	DESCRIPTION	CHK	DATE	APPROVED	
A	RELEASED TO MFG				

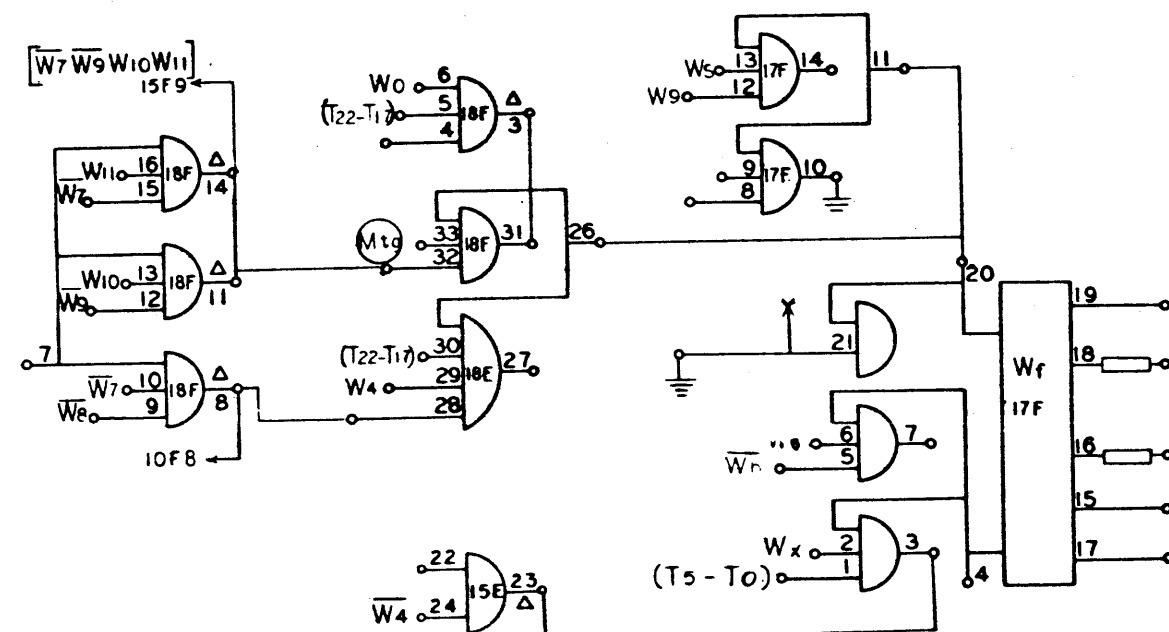


920
Page 25

NO. REQ.	DRAWING NO.	DESCRIPTION	REFERENCE DESIGNATION	ITEM NO.
MATERIAL LIST				
NOTES UNLESS SPECIFIED		DRAWN	SDS SCIENTIFIC DATA SYSTEMS <small>1542 FIFTEENTH STREET SANTA MONICA CALIFORNIA</small>	
1. TOLERANCES XX ± .030 ANGLULAR XXX ± .010 2. BREAK ALL SHARP EDGES .010 APPROX 3. HATCH SURFACES ✓ 4. ALL DIM. IN INCHES		CHECK		
		APPR	DATE	TITLE
				DIAGRAM, LOGIC COMPUTER
MODEL NO. 920		SIZE D	DWG NO. 101701	A
NEXT ASSY		SCALE	DO NOT SCALE DRAWING	SHEET

101701 | A |

REVISIONS			101701	A
REV	DESCRIPTION	CHR	DATE	APPROVED
A	RELEASED TO MFG			

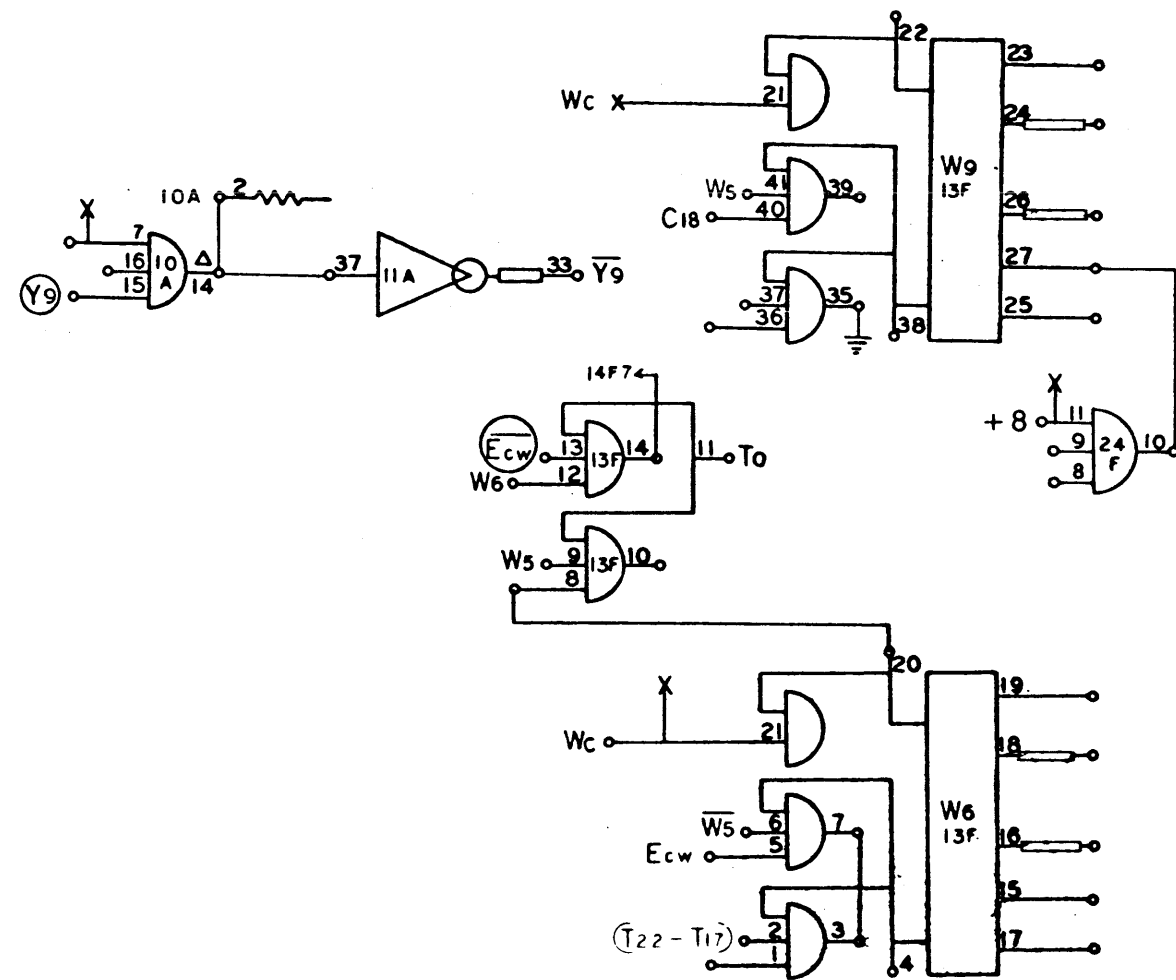


920
Page 29

NO. REQ	DRAWING NO.	DESCRIPTION	REFERENCE DESIGNATION	ITEM NO.	
MATERIAL LIST					
NOTES UNLESS SPECIFIED		DRAWN	SDS SCIENTIFIC DATA SYSTEMS 1545 FIFTEENTH STREET SANTA MONICA CALIFORNIA DIAGRAM, LOGIC COMPUTER		
1. TOLERANCES 2X ± 0.030 ANGULAR 3X ± 0.030 ± 1/2°		CHECK			1/13/62
2. BREAK ALL SHARP EDGES 3. HATCH SURFACES 4. ALL DIM. IN INCHES		APPR			1/14
MODEL NO.	920	SIZE	DWG NO.	A	
NEXT ASSY.		SCALE	DO NOT SCALE DRAWING	SHEET	

101701 A

REVISIONS				101701	D
REV	DESCRIPTION	CHK	DATE	APPROVED	
A	RELEASED TO MFG				
D	SEE REV. E.O.				

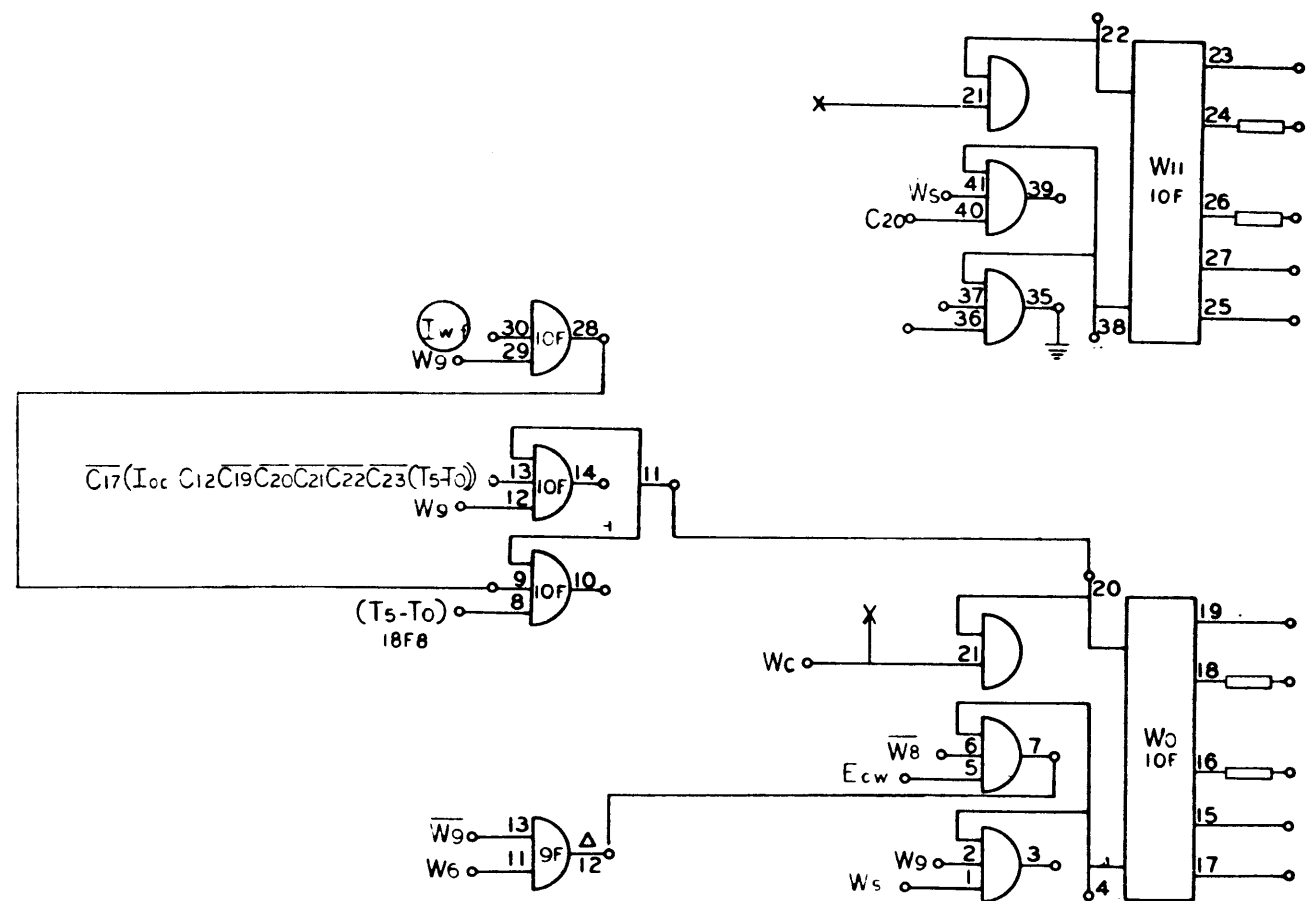


920
Page 30
D

NO. REV.	DRAWING NO.	DESCRIPTION	REFERENCE DESIGNATION	ITEM NO.
MATERIAL LIST				
NOTES UNLESS SPECIFIED		DRAWN	SDS SCIENTIFIC DATA SYSTEMS 1542 FIFTEENTH STREET SANTA MONICA CALIFORNIA	
1 TOLERANCES XX ± 0.000 ANGULAR XXX ± 0.010 ± 1°		CHECK		
2 BREAK ALL SHARP EDGES 0.10 APPROX		APPR		
3 BACH SURFACES ✓			TITLE DIAGRAM, LOGIC COMPUTER	
4 ALL DIM. IN INCHES				
MODEL NO.	920	SIZE	DWG NO.	D
NEXT ASSY.		SCALE	DO NOT SCALE DRAWING	SHEET

101701 | D |

REVISIONS				
REV	DESCRIPTION	CHK	DATE	APPROVED
A	RELEASED TO MFG			
F	SEE REV E.O.			
H	SEE REV E.O.			
J	SEE REV E.O.			

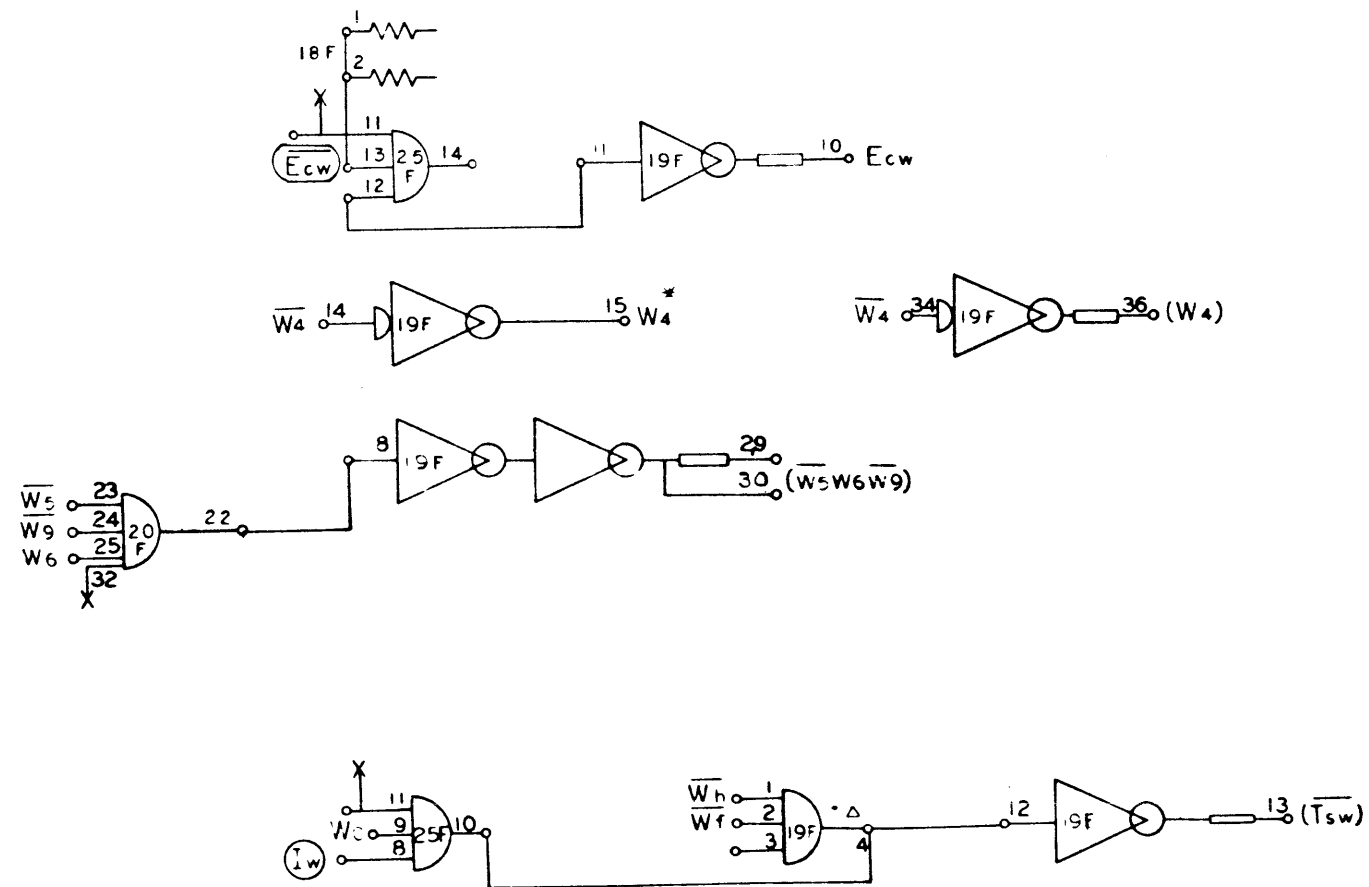


920
Page 31
J

NO. REV.	DRAWING NO.	DESCRIPTION	REFERENCE DESIGNATION	ITEM NO.
MATERIAL LIST				
NOTES UNLESS SPECIFIED		DRAWN	 1542 FIFTEENTH STREET SANTA MONICA, CALIFORNIA	
1. TOLERANCES XX ± .000 ANGULAR XXX ± .010		CHECK		
2. BREAK ALL SHARP EDGES 3. HATCH SURFACES 4. ALL DIMS. IN INCHES		APPR.		
MODEL NO. 920		TITLE DIAGRAM, LOGIC COMPUTER		SIZE D
NEXT ASSY.		DWG NO. 101701		J
SCALE			DO NOT SCALE DRAWING	SHEET

101701 J

REVISIONS				101701	
REV	DESCRIPTION	CHK	DATE	APPROVED	
A	RELEASED TO MFG				
D	SEE REV. E.O.				
F	SEE REV. E.O.				

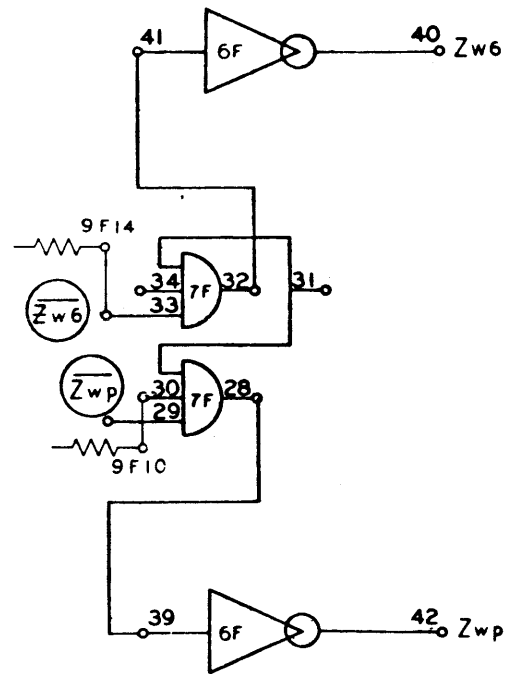
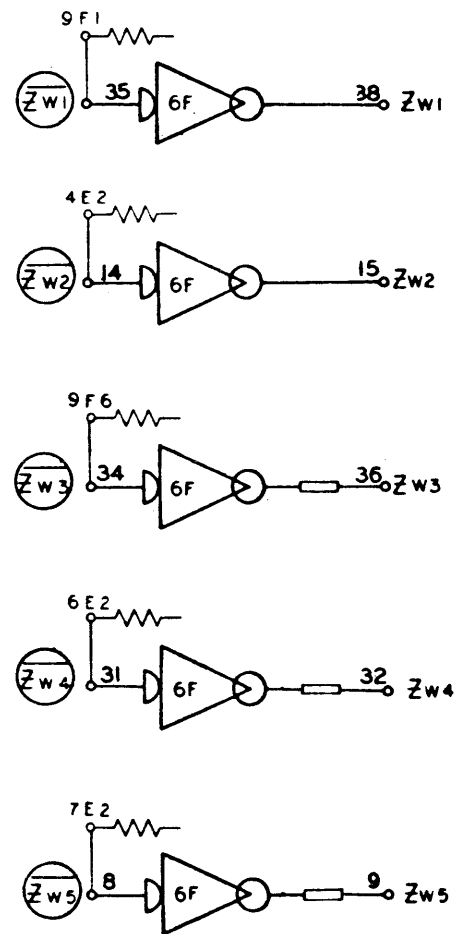


920
Page 32
F

101701 F

NO. REQ.	DRAWING NO.	DESCRIPTION	REFERENCE DESIGNATION	ITEM NO.
MATERIAL LIST				
NOTES UNLESS SPECIFIED		DRAWN	SDS SCIENTIFIC DATA SYSTEMS 1542 FIFTEENTH STREET, SANTA MONICA, CALIFORNIA	
1. TOLERANCES SE ±.030 ANGULAR SEE 2.010 ±1°		CHECK		
2. BREAK ALL SHARP EDGES .010 APPROX.		APPR		
3. MACH. SURFACES ✓			TITLE DIAGRAM, LOGIC COMPUTER	
4. ALL DIM. IN INCHES				
MODEL NO. 920		SIZE D		DWG NO. 101701
NEXT ASSY.		SCALE		NO NOT SCALE DRAWING SHEET

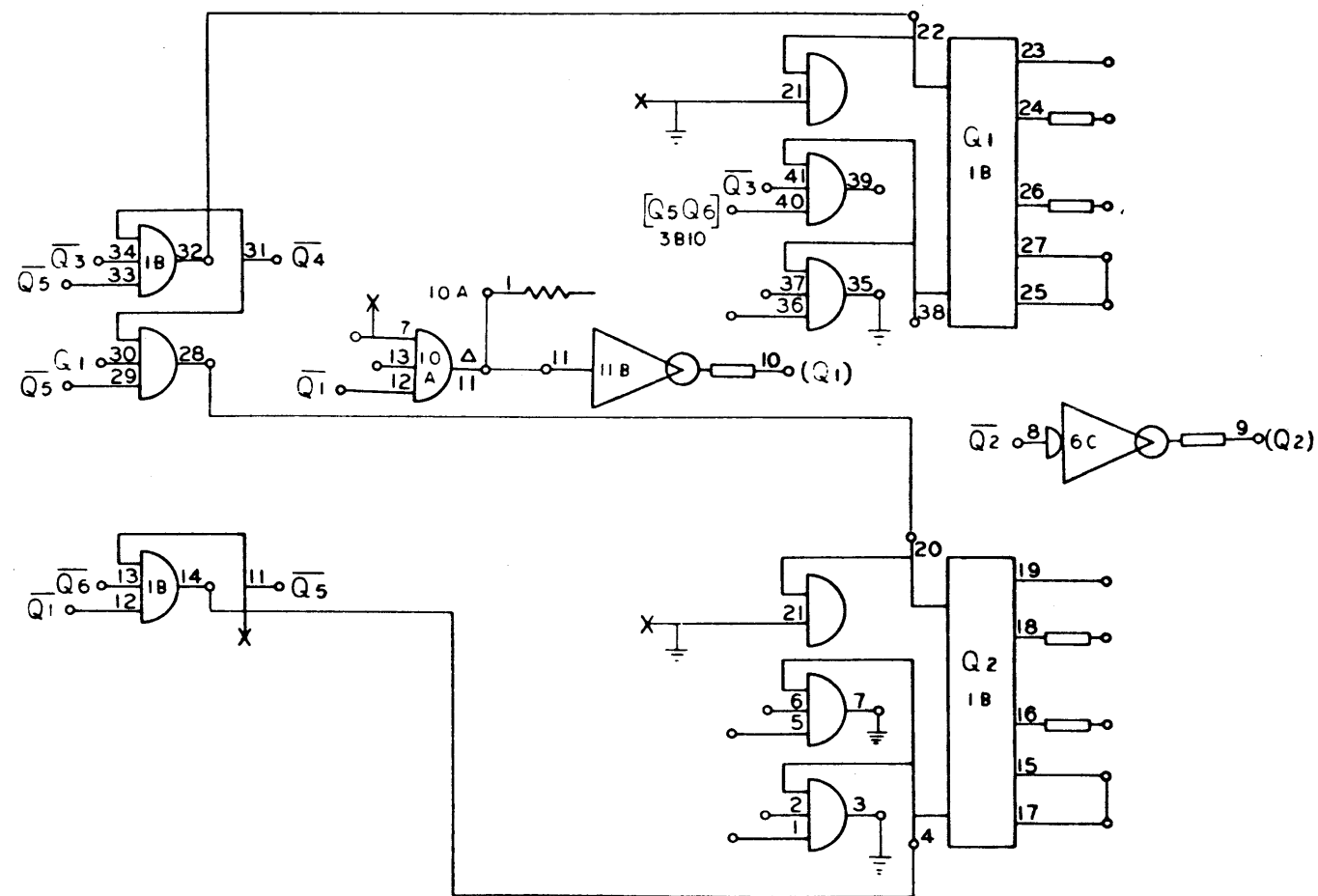
REVISIONS				101701
REV	DESCRIPTION	CHK	DATE	APPROVED
A	RELEASED TO MFG		11/18	
F	SEE REV E.O.		11/18	



920
Page 33
F

NO. REG	DRAWING NO.	DESCRIPTION	REFERENCE DESIGNATION	ITEM NO.
MATERIAL LIST				
NOTES UNLESS SPECIFIED		DRAWN	CHECK	APPR
1 TOLERANCES XX ± 0.00 ANGULAR XXX ± 0.10 ± 1/2° 2 BREAK ALL SHARP EDGES 3 TO APPROX 4 MACH SURFACES 5 ALL DIM IN INCHES			<i>[Signature]</i>	11/18
		SDS SCIENTIFIC DATA SYSTEMS 1542 FIFTEENTH STREET SANTA MONICA CALIFORNIA		
		TITLE DIAGRAM, LOGIC COMPUTER		
MODEL NO.	920	SIZE	DWG NO.	F
NEXT ASSY.		D	101701	
		SCALE	DO NOT SCALE DRAWING	SHEET

REVISIONS				101701	A
REV	DESCRIPTION	CHK	DATE	APPROVED	
A	RELEASED TO MFG				

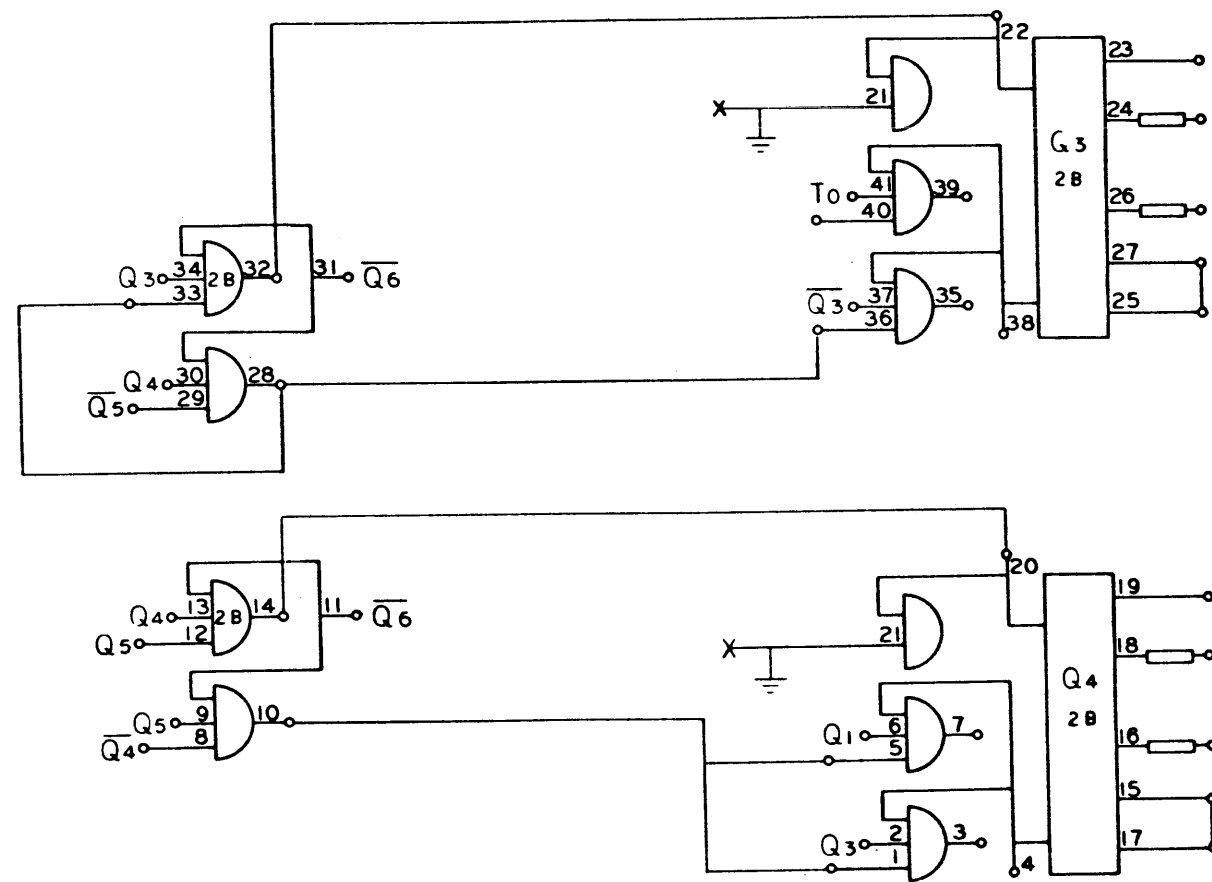


920
Page 34

NO. REG.	DRAWING NO.	DESCRIPTION	REFERENCE DESIGNATION	ITEM NO.
MATERIAL LIST				
NOTES UNLESS SPECIFIED		DRAWN	 1942 FIFTEENTH STREET SANTA MONICA CALIFORNIA	
1. TOLERANCES XX ± .010 ANGULAR SEE 2. DIM ± .010 2. BREAK ALL SHARP EDGES Ø10 APPROX 3. MACH SURFACES ✓ 4. ALL DIMS IN INCHES		CHECK	TITLE	
		APPR	DIAGRAM, LOGIC COMPUTER	
MODEL NO.	920	SIZE	DWG NO.	A
NEXT ASSY.		D	101701	
SCALE			DO NOT SCALE DRAWING	SHEET

101701 | A |

REVISIONS				101701	A
REV	DESCRIPTION	CHK	DATE	APPROVED	
A	RELEASED TO MFG				

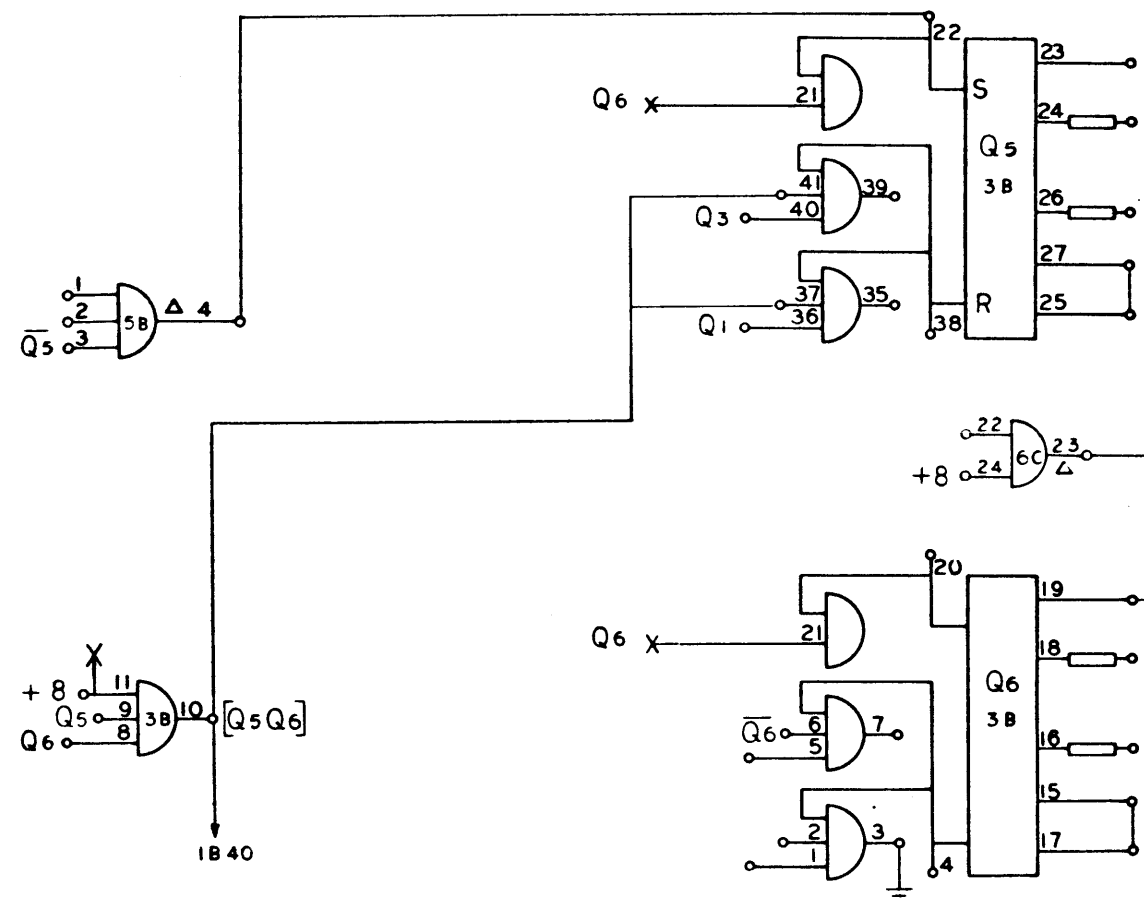


920
Page 35

NO. REQ.	DRAWING NO.	DESCRIPTION	REFERENCE DESIGNATION	ITEM NO.
MATERIAL LIST				
NOTES UNLESS SPECIFIED		DRAWN	SDS SCIENTIFIC DATA SYSTEMS 1842 FIFTEENTH STREET SANTA MONICA CALIFORNIA	
1. TOLERANCES XX ± .030 ANGULAR XXX ± .010 ± 1/2°		CHECK	TITLE	
2. BREAK ALL SHARP EDGES .010 APPROX.		APPR	DIAGRAM, LOGIC COMPUTER	
3. MACH. SURFACES ✓				
4. ALL DIM. IN INCHES				
MODEL NO.	920	SIZE	DWS NO.	A
NEXT ASSY.		SCALE	DO NOT SCALE DRAWING	SHEET

101701 | A |

REVISIONS				101701	A
REV	DESCRIPTION	CHR	DATE	APPROVED	
A	RELEASED TO MFG				

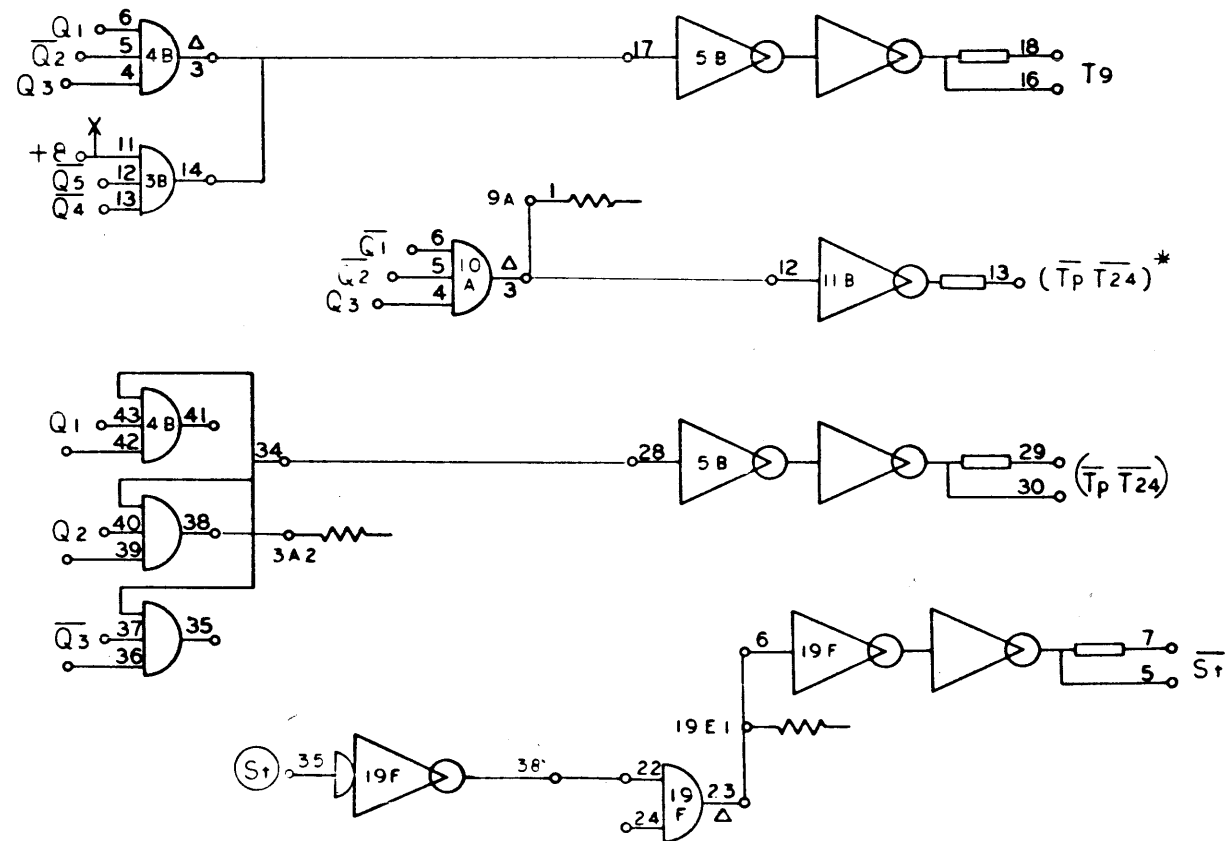


920
Page 36

NO. REQ.	DRAWING NO.	DESCRIPTION	REFERENCE DESIGNATION	ITEM NO.
MATERIAL LIST				
NOTES UNLESS SPECIFIED		DRAWN	SDS SCIENTIFIC DATA SYSTEMS	
1. TOLERANCES DIM. ± .000 ANGULAR SIZE ± .010 ± .1°		CHECK	1922 FIFTEENTH STREET SANTA MONICA, CALIFORNIA	
2. BREAK ALL SHARP EDGES .015 APPROX.		APPR.	TITLE	
3. MACH. SURFACES ✓			DIAGRAM, LOGIC COMPUTER	
4. ALL DIM. IN INCHES				
MODEL NO.	920	SIZE	DWG NO.	A
NEXT ASSY.		SCALE	DO NOT SCALE DRAWING	SHEET

101701 A1

REVISIONS			101701	
REV	DESCRIPTION	CHK	DATE	APPROVED
A	RELEASED TO MFG			
F	SEE REV E.O.			

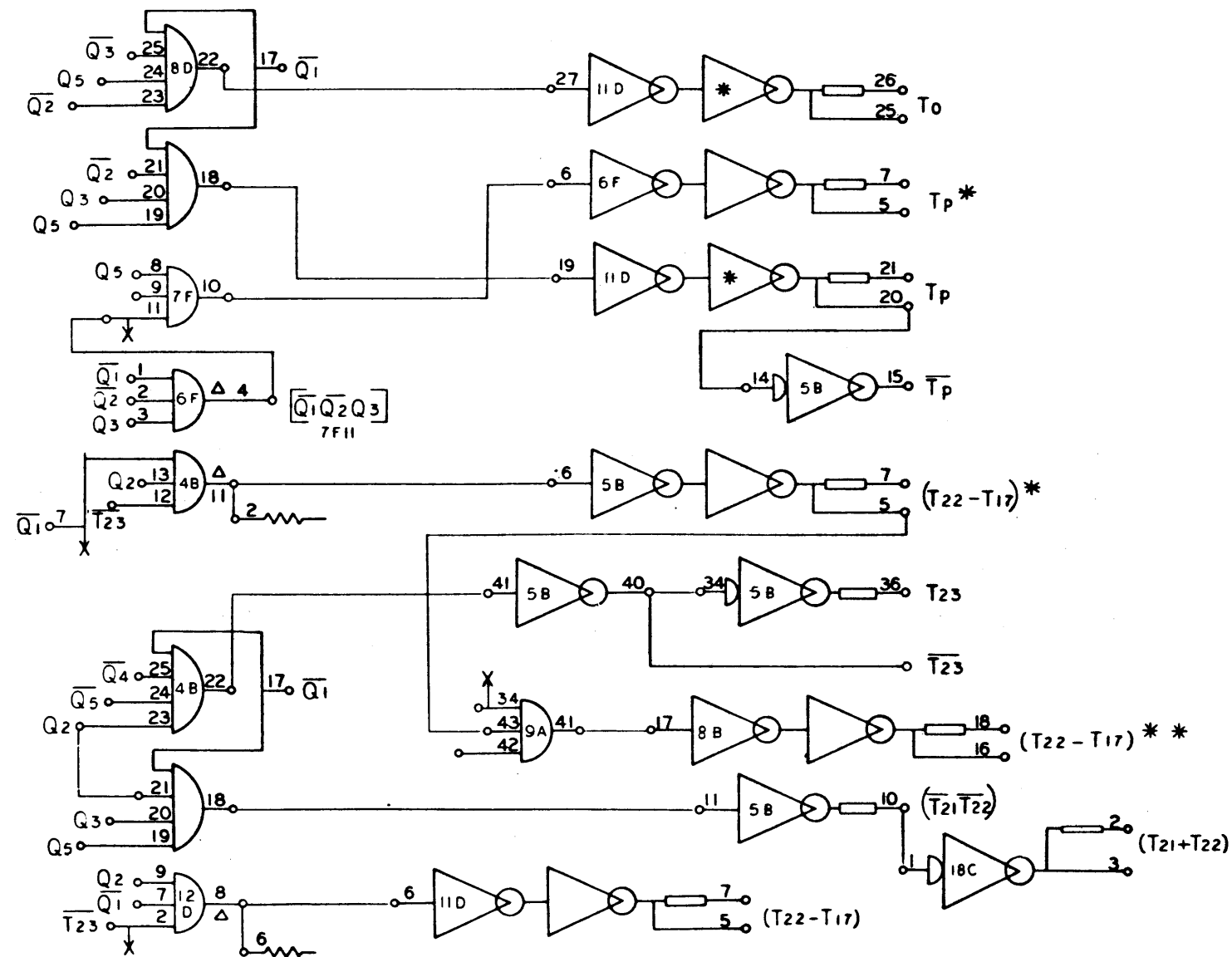


920
Page 37
F

NO. REQ	DRAWING NO.	DESCRIPTION	REFERENCE DESIGNATION	ITEM NO.
MATERIAL LIST				
NOTES UNLESS SPECIFIED		DRAWN	CHECK	DATE
1. TOLERANCES XX ± 0.000 ANGULAR XXX ± 0.010 ± 1/2"				
2. BREAK ALL SHARP EDGES 0.010 APPROX		APPR		
3. HATCH SURFACES ✓				
4. ALL DIM. IN INCHES				
MODEL NO. 920		SDS SCIENTIFIC DATA SYSTEMS 1525 FIFTEENTH STREET SANTA MONICA, CALIFORNIA		TITLE DIAGRAM, LOGIC COMPUTER
NEXT ASSY.		SIZE D	DWG NO. 101701	SHEET F
SCALE			DO NOT SCALE DRAWING	SHEET

101701 | F |

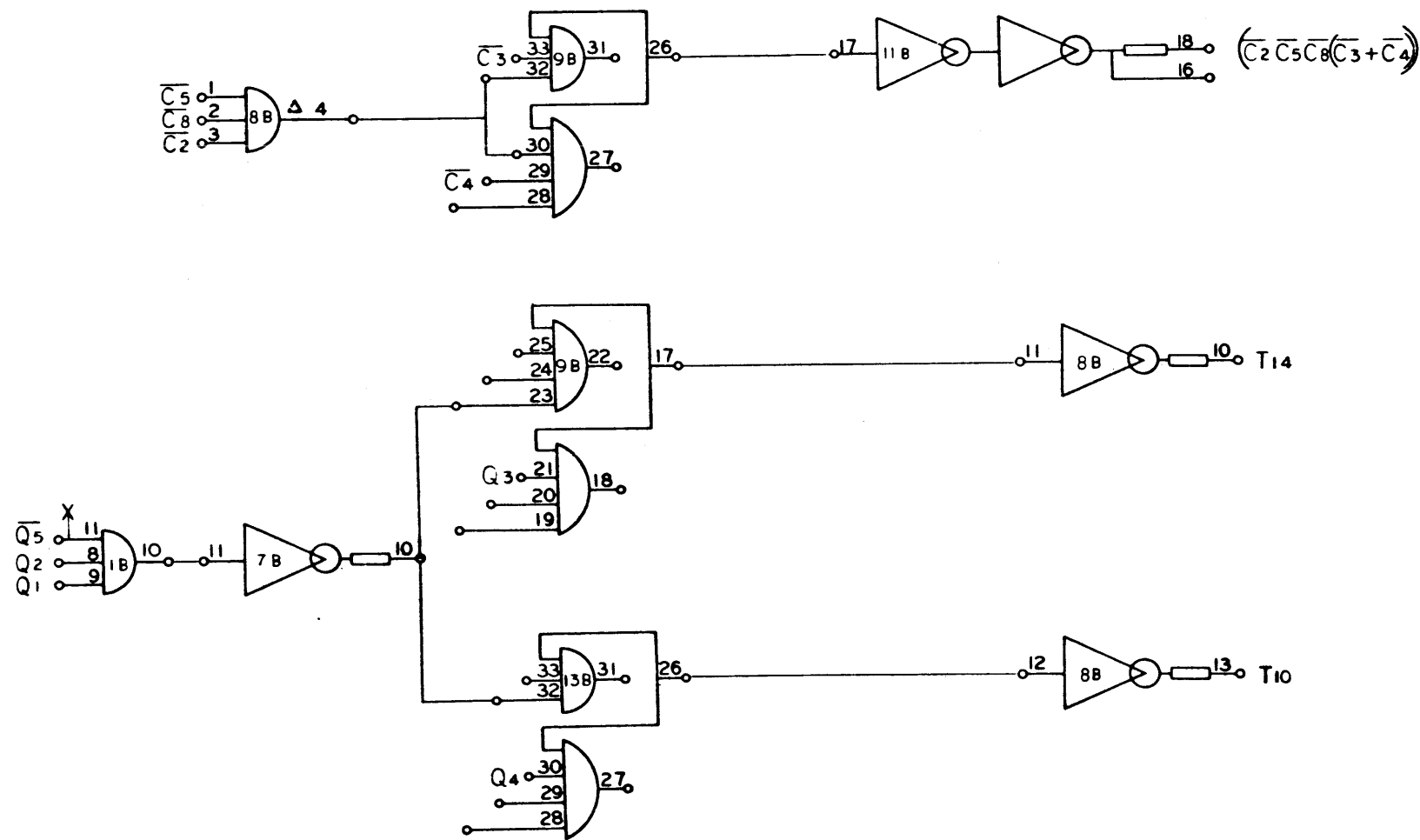
REVISIONS				101701	A
REV	DESCRIPTION	CHE	DATE	APPROVED	
A	RELEASED TO MFG				



NO. REV.	DRAWING NO.	DESCRIPTION	REFERENCE DESIGNATION	ITEM NO.
MATERIAL LIST				
NOTES UNLESS SPECIFIED 1. TOLERANCES: .05 ± .010 ANGULAR ± 1/2° .005 ± .010 2. BREAK ALL SHARP EDGES .010 APPROX. 3. MACH. SURFACES ✓ 4. ALL DIM. IN INCHES				
DRAWN		SDS SCIENTIFIC DATA SYSTEMS 1942 FIFTEENTH STREET SANTA MONICA, CALIFORNIA		
CHECK		TITLE DIAGRAM, LOGIC COMPUTER		
APPR.		MODEL NO. 920 SIZE D DWG. NO. 101701 SHEET A		
NEXT ASSY.		SCALE DO NOT SCALE DRAWING SHEET		

101701 1A1

REVISIONS				101701	A
REV	DESCRIPTION	CHK	DATE	APPROVED	
A	RELEASED TO MFG				

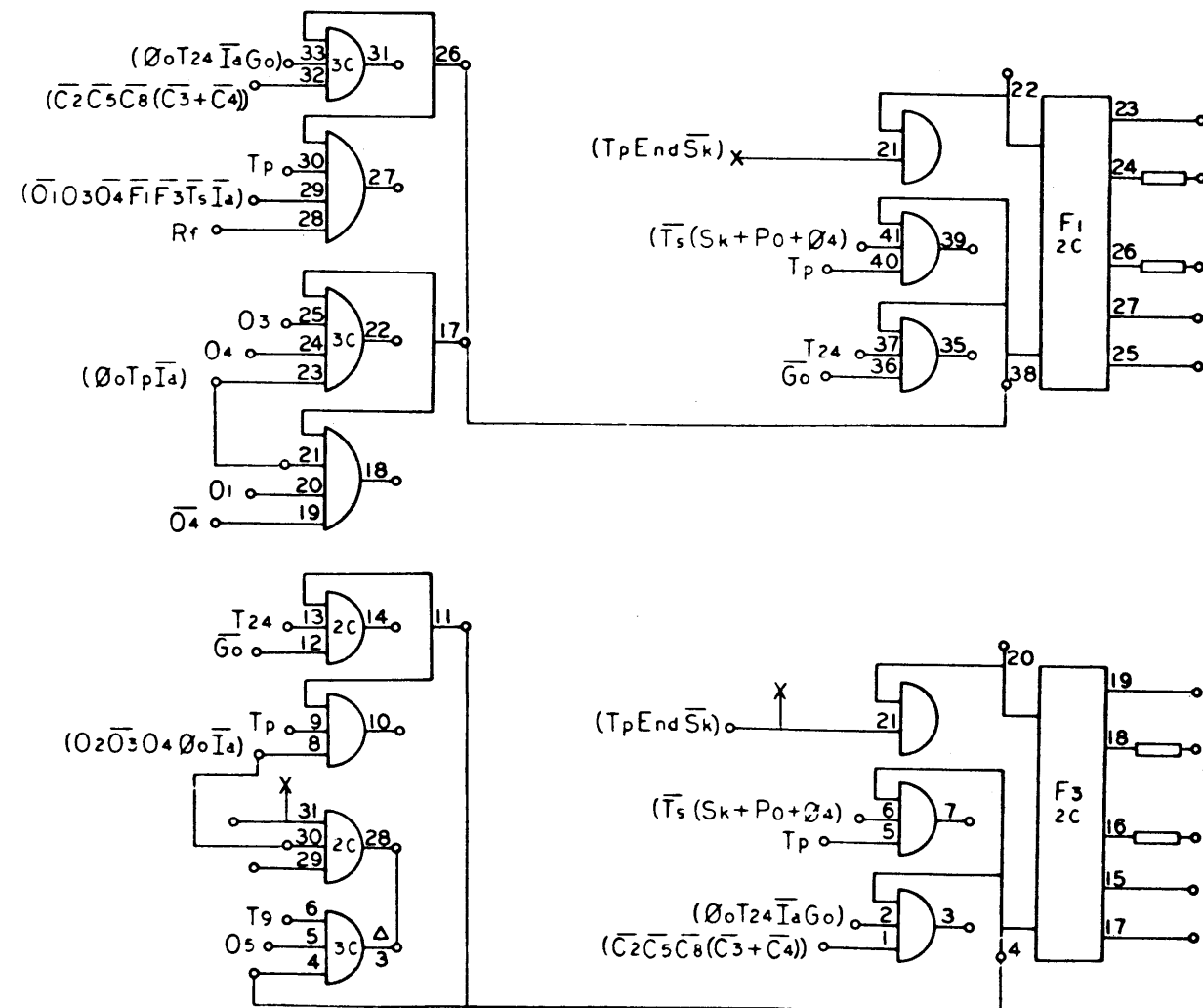


920
Page 39

101701 | A |

NO. REQ.	DRAWING NO.	DESCRIPTION	REFERENCE DESIGNATION	ITEM NO.
MATERIAL LIST				
NOTES UNLESS SPECIFIED		DRAWN	<div style="text-align: center;"> <p>1525 FIFTEENTH STREET SANTA MONICA CALIFORNIA</p> <p>DIAGRAM, LOGIC COMPUTER</p> </div>	
1. TOLERANCES XX ± .000 ANGLE XX ± .010 ± 1/2°		CHECK		
2. BREAK ALL SHARP EDGES .010 APPROX		APPR.		
3. MACH. SURFACES ✓			TITLE	
4. ALL DIM. IN INCHES			SCALE	
MODEL NO.	920	SIZE	DWG NO.	A
NEXT ASSY.			101701	
			DO NOT SCALE DRAWING	SHEET

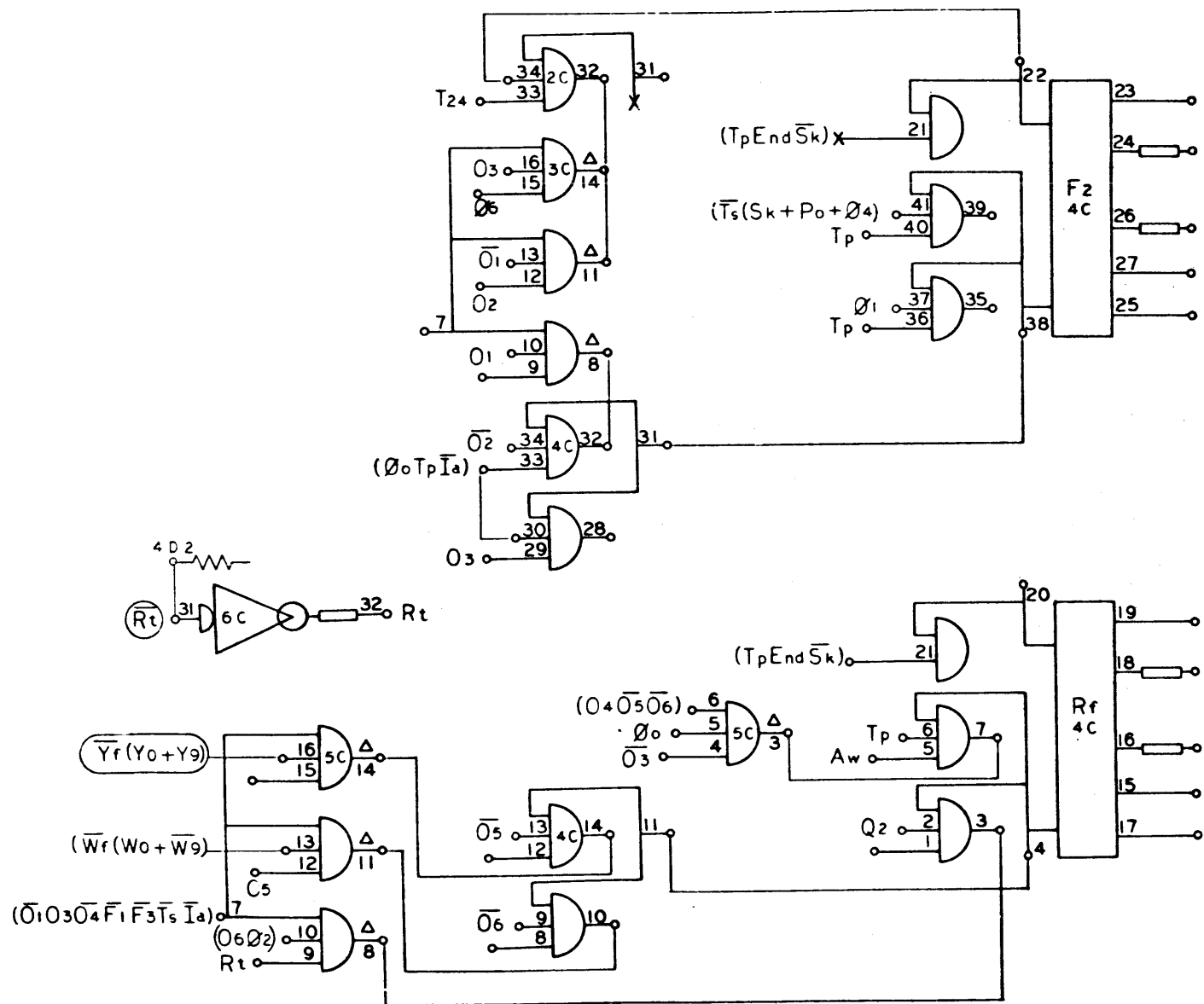
REVISIONS				101701	A
REV	DESCRIPTION	CHK	DATE	APPROVED	
A	RELEASED TO MFG				



NO. REV.	DRAWING NO.	DESCRIPTION	REFERENCE DESIGNATION	ITEM NO.
MATERIAL LIST				
NOTES UNLESS SPECIFIED		DRAWN	SDS SCIENTIFIC DATA SYSTEMS 1522 FIFTEENTH STREET SANTA MONICA, CALIFORNIA	
1. TOLERANCES XX ± 0.000 ANGULAR XX ± 0.010 ± 1/2°		CHECK		
2. BREAK ALL SHARP EDGES 3/16 APPROX.		APPR	TITLE DIAGRAM, LOGIC COMPUTER	
3. HATCH SURFACES 4. ALL DIM. IN INCHES				
MODEL NO.	920	SIZE	DWG NO.	A
NEXT ASSY.		SCALE	DO NOT SCALE DRAWING	SHEET

101701 | A |

REVISIONS				101701	
REV	DESCRIPTION	CHK	DATE	APPROVED	
A	RELEASED TO MFG		1/3		
F	SEE REV E.C.				



920
Page 41
F

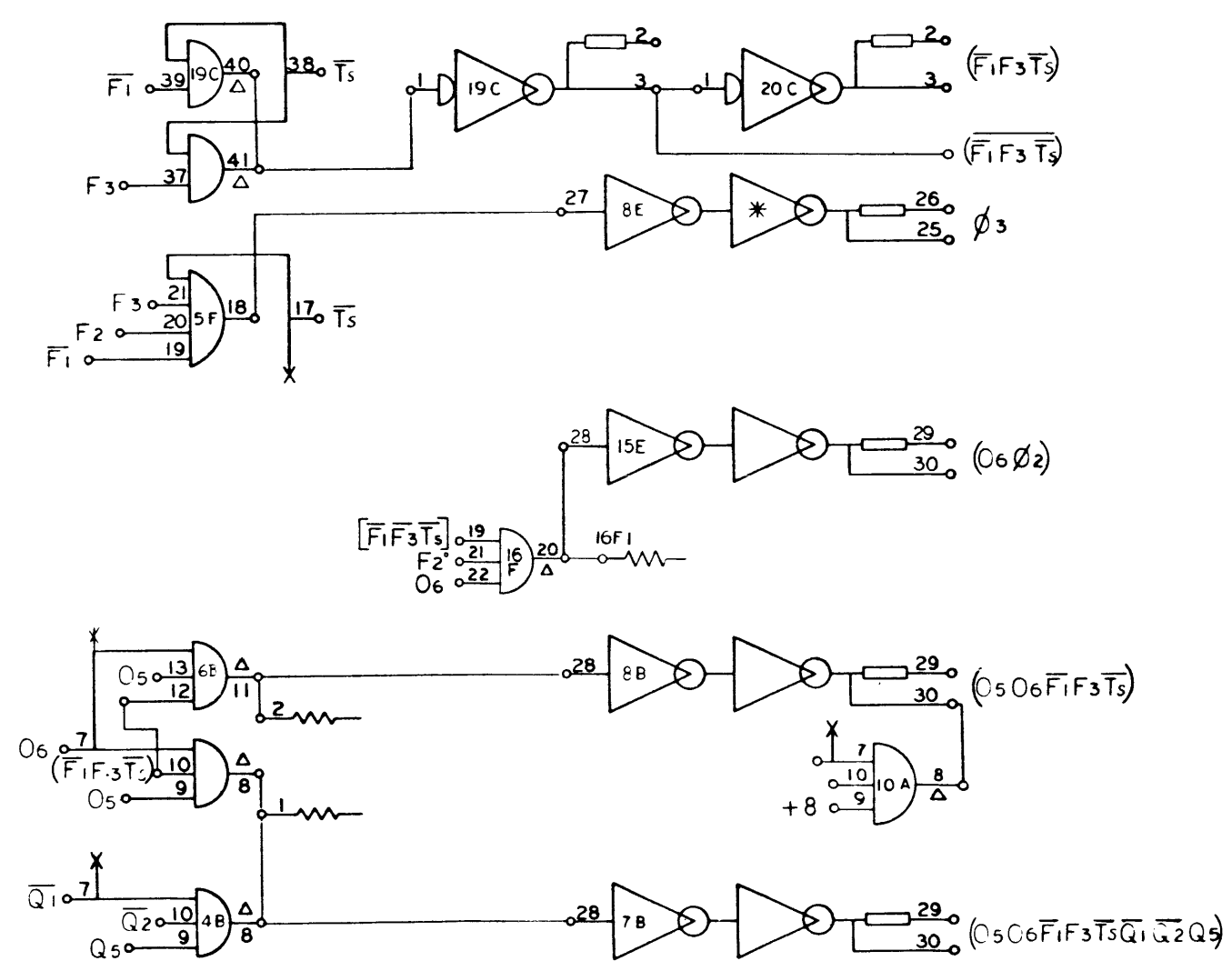
101701

NO. REV.	DRAWING NO.	DESCRIPTION	REFERENCE DESIGNATION	ITEM NO.
MATERIAL LIST				
NOTES UNLESS SPECIFIED				
1. TOLERANCES: .05 ± .005 ANGULAR ± 1°				
2. BREAK ALL SHARP EDGES .010 APPROX.				
3. MACH SURFACES ✓				
4. ALL DIMS IN INCHES				
MODEL NO. 920		SIZE D		DWG NO. 101701
NEXT ASSY.		SCALE		SHEET

SDS SCIENTIFIC DATA SYSTEMS
1542 FIFTEENTH STREET SANTA MONICA CALIFORNIA

DIAGRAM, LOGIC
COMPUTER

REVISIONS				101701	J
REV	DESCRIPTION	CHK	DATE	APPROVED	
A	RELEASED TO MFG				
J	SEE REV E.O.				

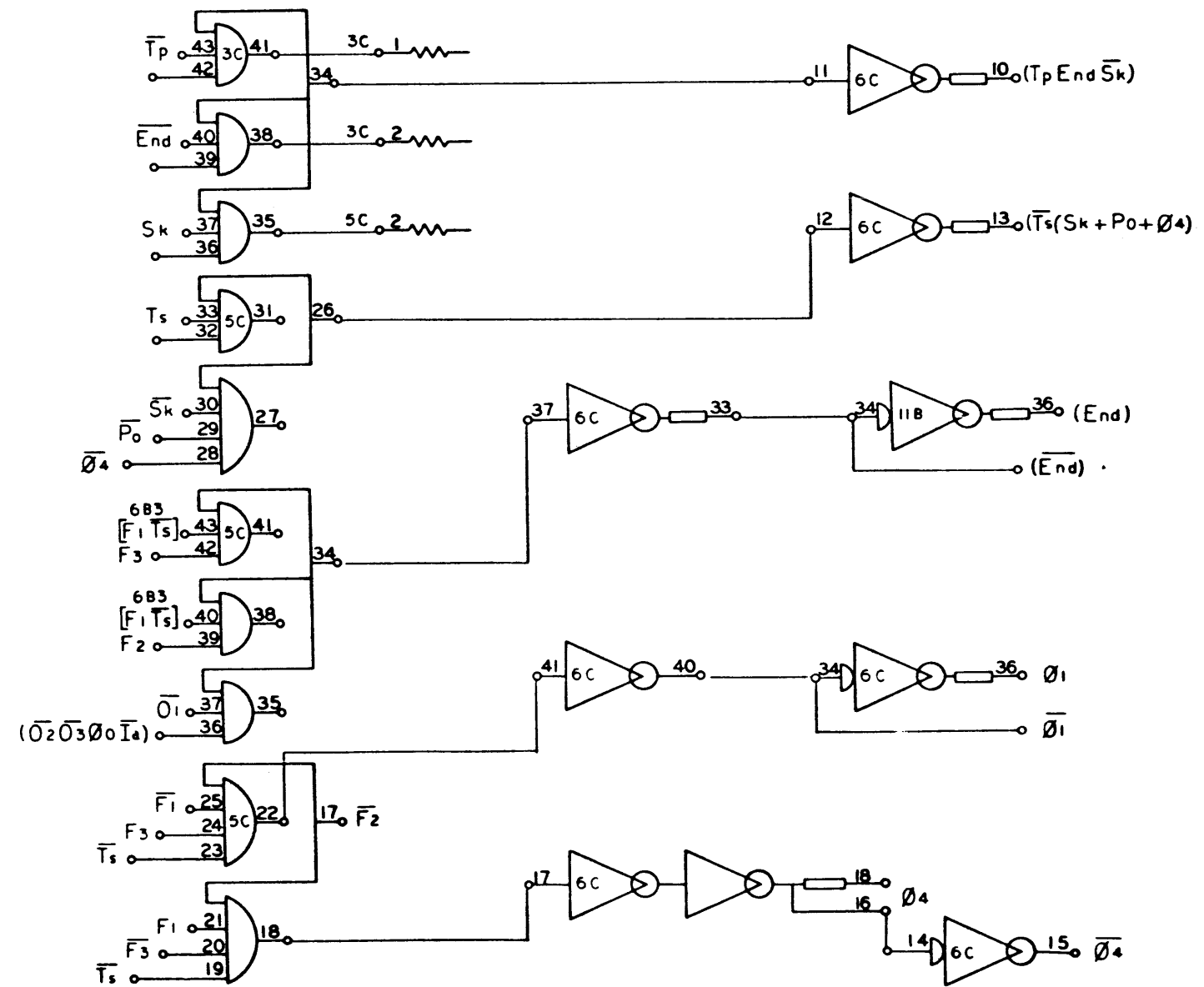


920
Page 42
J

NO. REG.	DRAWING NO.	DESCRIPTION	REFERENCE DESIGNATION	ITEM NO.
NOTES UNLESS SPECIFIED				
1. TOLERANCES		DRAWN	MATERIAL LIST	
SE ± .000		CHECK	SDS SCIENTIFIC DATA SYSTEMS	
ANGULAR ± .010		APPR	1542 FIFTEENTH STREET SANTA MONICA CALIFORNIA	
2. BREAK ALL SHARP EDGES .010 APPROX			TITLE	
3. MACH SURFACES ✓			DIAGRAM, LOGIC COMPUTER	
4. ALL DIM. IN INCHES				
MODEL NO.	920	SIZE	DWG NO.	J
NEXT ASSY.		D	101701	
SCALE		DO NOT SCALE DRAWING		SHEET

101701 J1

REVISIONS				101701	A
REV	DESCRIPTION	CHE	DATE	APPROVED	
A	RELEASED TO MFG				

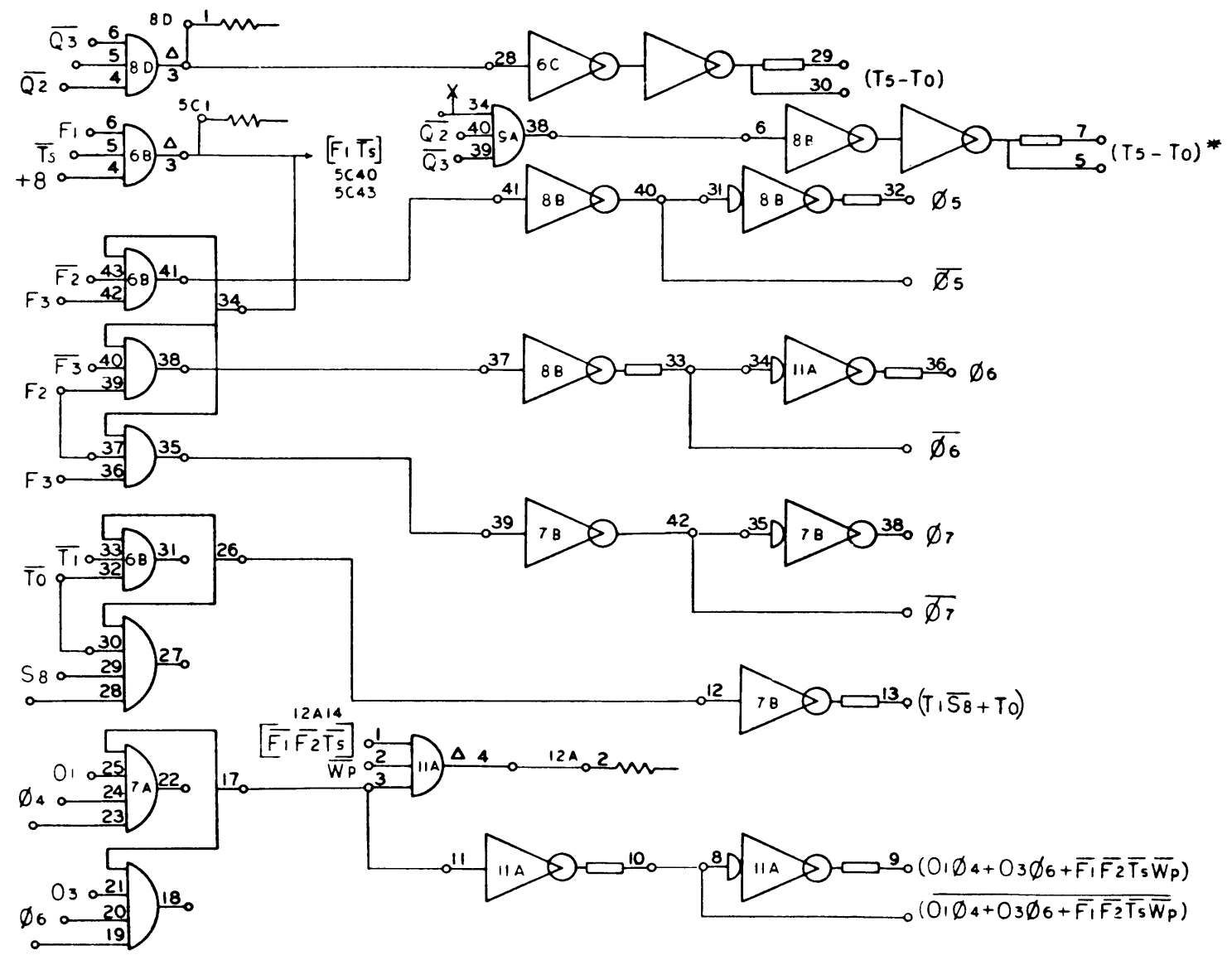


920
Page 43

101701 | A

NO. REQ	DRAWING NO.	DESCRIPTION	REFERENCE DESIGNATION	ITEM NO.
MATERIAL LIST				
NOTES UNLESS SPECIFIED		DRAWN	CHECK	APPR
1. TOLERANCES XX ± .000 ANGLULAR XXX ± .010 ± 1/2°			<i>AD</i>	<i>11/18</i>
2. BREAK ALL SHARP EDGES 3/16 APPROX				
3. MACH SURFACES ✓				
4. ALL DIM. IN INCHES				
MODEL NO. 920		TITLE DIAGRAM, LOGIC COMPUTER		SIZE D
NEXT ASSY.		DWS NO. 101701		A
SCALE		DO NOT SCALE DRAWING		SHEET

REVISIONS				101701	A
REV	DESCRIPTION	CHK	DATE	APPROVED	
A	RELEASED TO MFG		11/19		

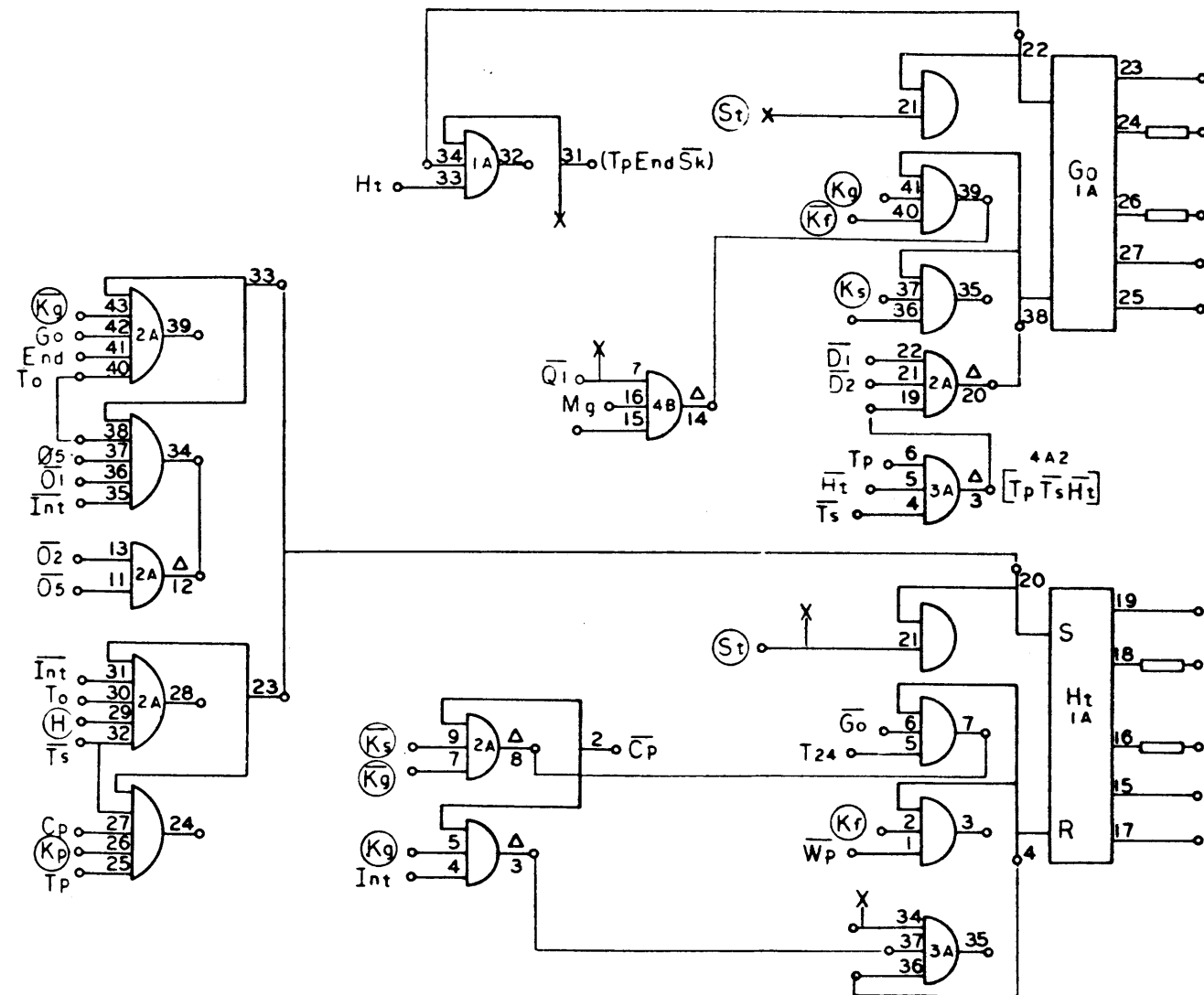


920
Page 44

NO. REQ.	DRAWING NO.	DESCRIPTION	REFERENCE DESIGNATION	ITEM NO.
MATERIAL LIST				
NOTES UNLESS SPECIFIED		DRAWN	SDS SCIENTIFIC DATA SYSTEMS 1542 FIFTEENTH STREET SANTA MONICA CALIFORNIA	
1. TOLERANCES XX ± .000 ANGLULAR SEE 2.010 ± .1°		CHECK	TITLE	
2. BREAK ALL SHARP EDGES BY APPROX		APPR	DIAGRAM, LOGIC COMPUTER	
3. HATCH SURFACES ✓				
4. ALL DIM. IN INCHES				
MODEL NO.	920	SIZE	DWS NO.	A
NEXT ASSY.		D	101701	
SCALE		DO NOT SCALE DRAWING		SHEET

101701 | A |

REVISIONS		101701	A
REV	DESCRIPTION	CHK	DATE
A	RELEASED TO MFG		

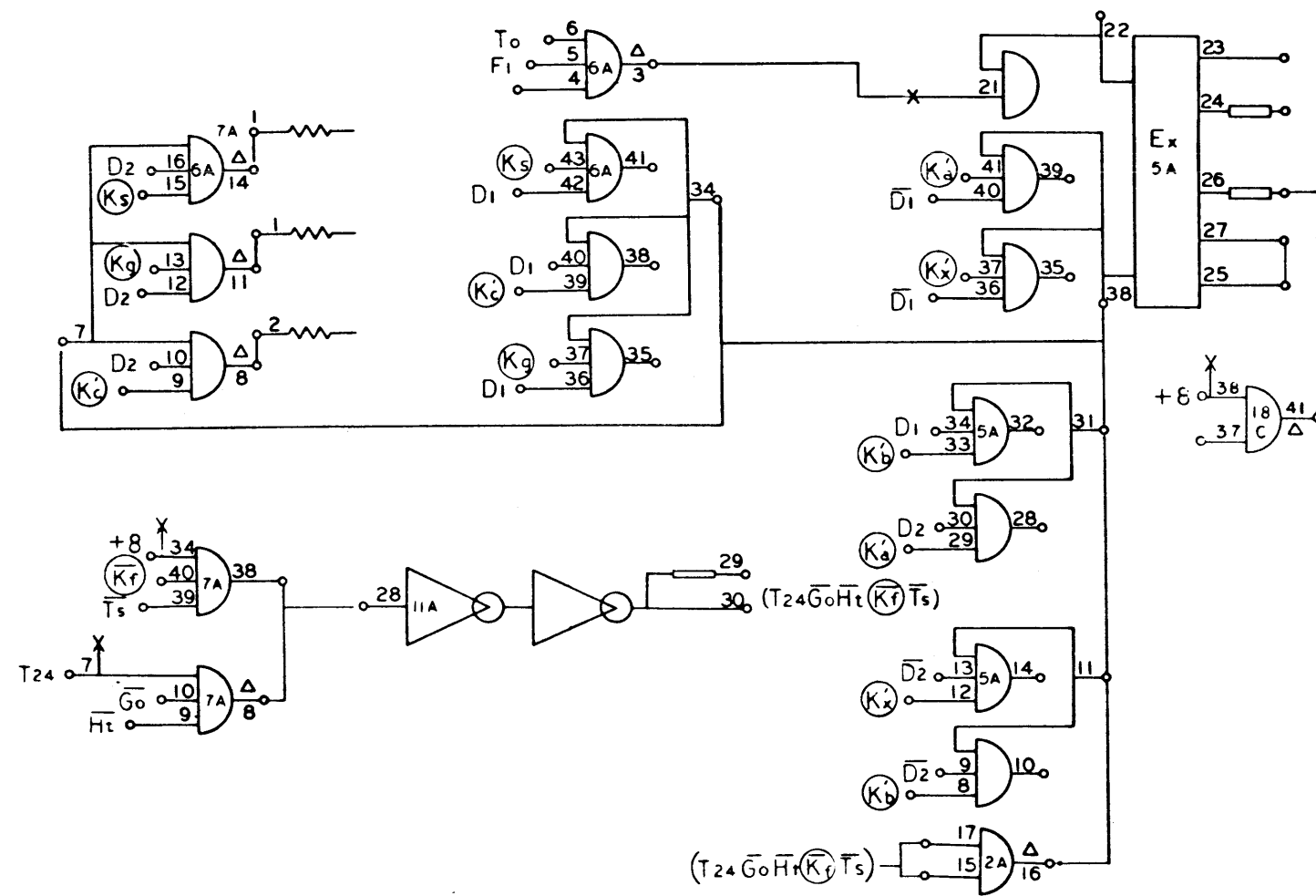


920
Page 45

NO	DRAWING NO.	DESCRIPTION	REFERENCE DESIGNATION	ITEM NO.
MATERIAL LIST				
NOTES UNLESS SPECIFIED: 1. TOLERANCES XX ±.000 ANGLULAR XX ±.010 2. BREAK ALL SHARP EDGES .50 APPROX 3. MACH SURFACES ✓ 4. ALL DIM. IN INCHES				
DRAWN		CHECK	DATE	TITLE
APPR				
MODEL NO.		SIZE	DWG NO.	A
920		D	101701	
NEXT ASSY		SCALE		SHEET
		DO NOT SCALE DRAWING		

101701 | A |

REVISIONS				101701	A
REV	DESCRIPTION	CHK	DATE	APPROVED	
A	RELEASED TO MFG		1/3		

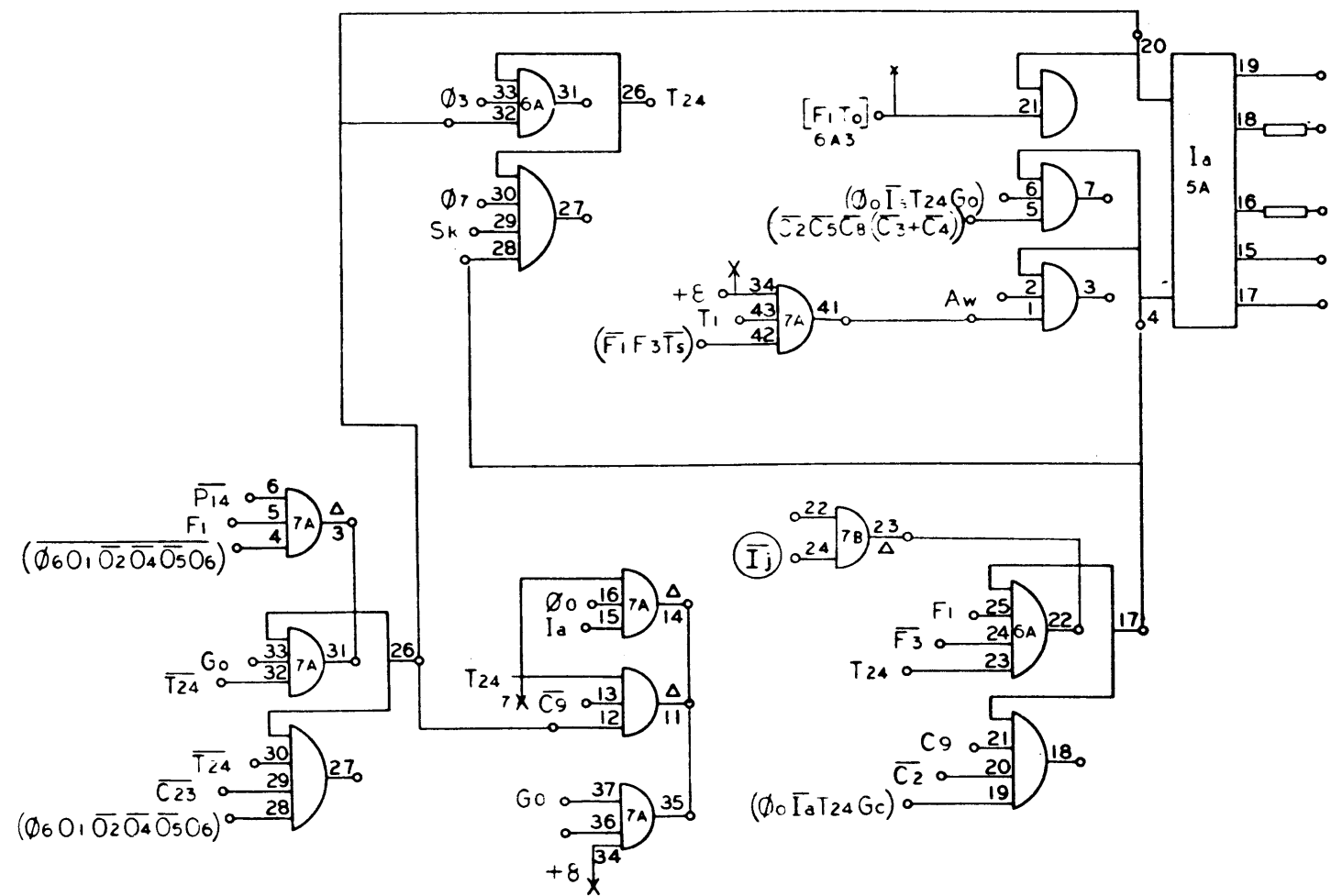


920
Page 46

101701 | A |

NO. REQ.	DRAWING NO.	DESCRIPTION	REFERENCE DESIGNATION	ITEM NO.
MATERIAL LIST				
NOTES UNLESS SPECIFIED		DRAWN	CHECK	DATE
1. TOLERANCES XX ± 0.00 ANGULAR XXX ± 0.01 2°/3°				11/10/64
2. BREAK ALL SHARP EDGES 0.10 APPROX.		APPR		11/14
3. BACK SURFACES ✓				
4. ALL DIM. IN INCHES				
 1542 FIFTEENTH STREET SANTA MONICA CALIFORNIA				
TITLE				
DIAGRAM, LOGIC COMPUTER				
MODEL NO.	920	SIZE	DWS NO.	A
NEXT ASSY.		D	101701	
SCALE	DO NOT SCALE DRAWING	SHEET		

REVISIONS				101701	A
REV	DESCRIPTION	CHK	DATE	APPROVED	
A	RELEASED TO MFG				

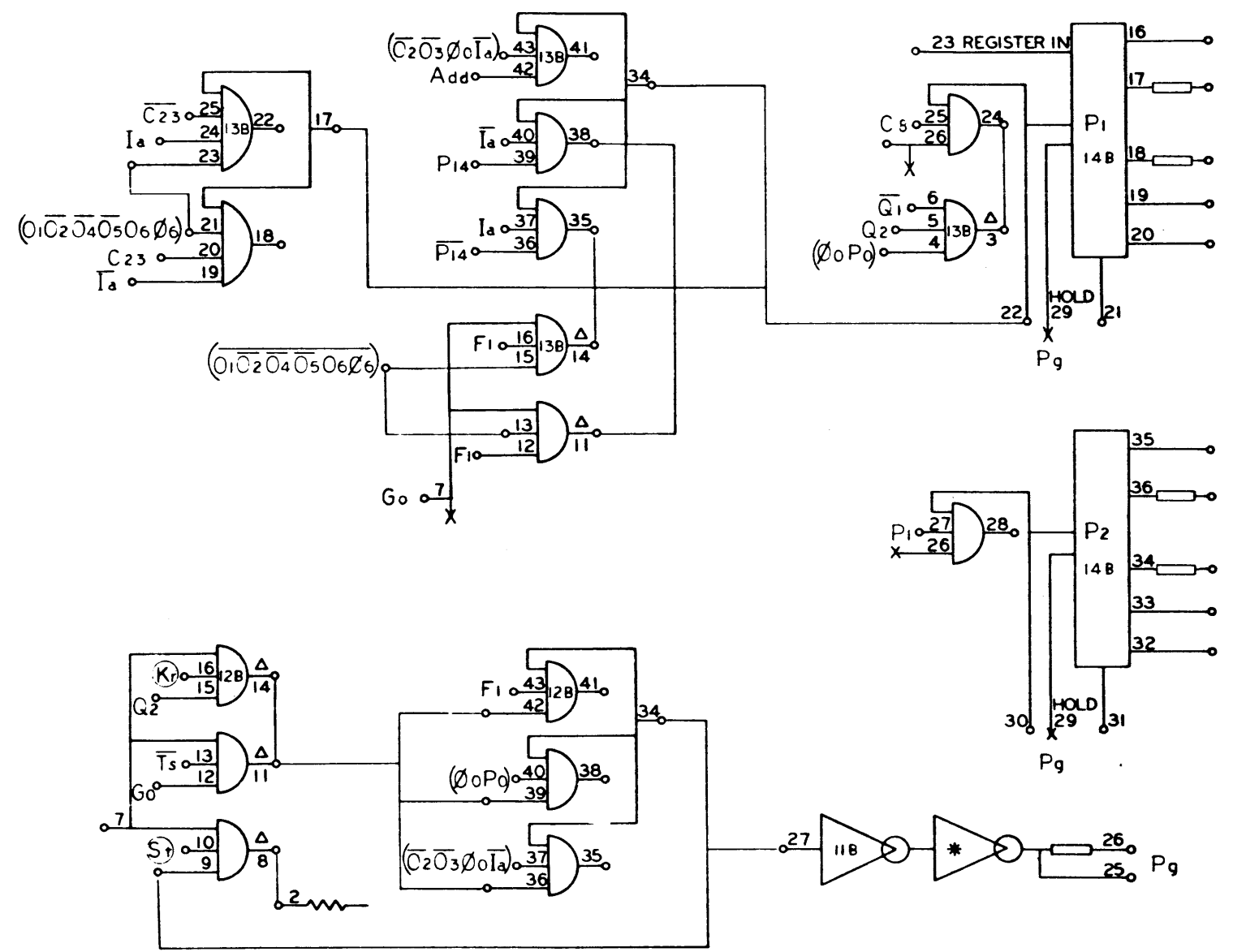


920
Page 47

NO. REQ	DRAWING NO.	DESCRIPTION	REFERENCE DESIGNATION	ITEM NO.
NOTES UNLESS SPECIFIED				
1. TOLERANCES XX = 0.50 XXX = 0.10		ANGULAR ± 15°	DRAWN: [Signature] 1/1/67	
2. BREAK ALL SHARP EDGES Ø10 APPROX			CHECK: [Signature] 1/1/67	
3. MACH. SURFACES ✓			APPR: [Signature] 1/1/67	
4. ALL DIM. IN INCHES				
MATERIAL LIST			SDS SCIENTIFIC DATA SYSTEMS 1542 FIFTEENTH STREET SANTA MONICA CALIFORNIA	
MODEL NO. 920			TITLE DIAGRAM, LOGIC COMPUTER	
NEXT ASSY.			SIZE D	DWG NO. 101701
SCALE			DO NOT SCALE DRAWING	SHEET A

101701 | A |

REVISIONS				101701	A
REV	DESCRIPTION	CHK	DATE	APPROVED	
A	RELEASED TO MFG				



920
Page 48

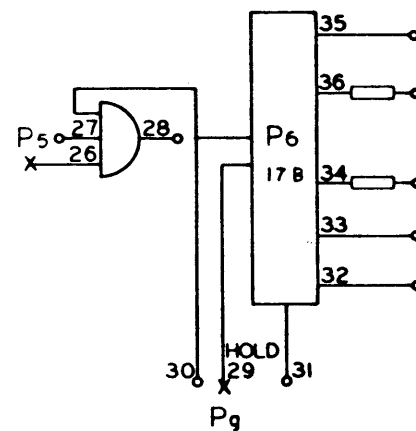
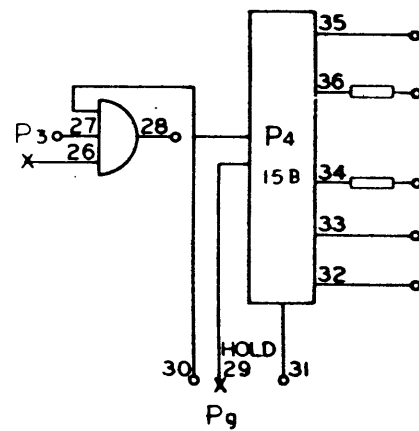
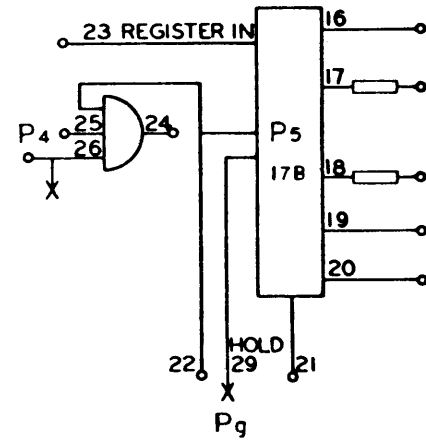
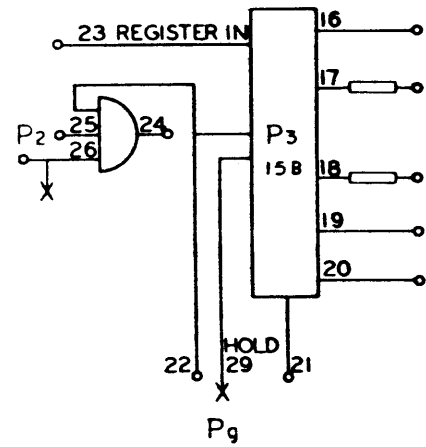
101701 A

NO. REQ	DRAWING NO.	DESCRIPTION	REFERENCE DESIGNATION	ITEM NO.
MATERIAL LIST				
NOTES UNLESS SPECIFIED		DRAWN	CHECK	DATE
1. TOLERANCES XX ± 0.00 ANGULAR SEE ± 0.10 ± 1/16"				11/13/68
2. BREAK ALL SHARP EDGES 2/16 SPHERE		APPR		11/14/68
3. HATCH SURFACES ✓				
4. ALL DIM. IN INCHES				
MODEL NO. 920		SIZE D		DWG NO. 101701
NEXT ASSY.		SCALE DO NOT SCALE DRAWING		SHEET A

SDS SCIENTIFIC DATA SYSTEMS
1542 FIFTEENTH STREET SANTA MONICA CALIFORNIA

TITLE
**DIAGRAM, LOGIC
COMPUTER**

REVISIONS				101701	A
REV	DESCRIPTION	CHK	DATE	APPROVED	
A	RELEASED TO MFG				

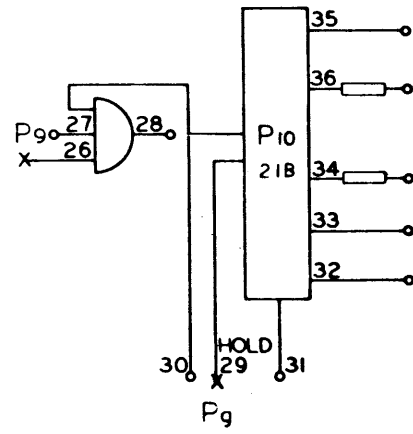
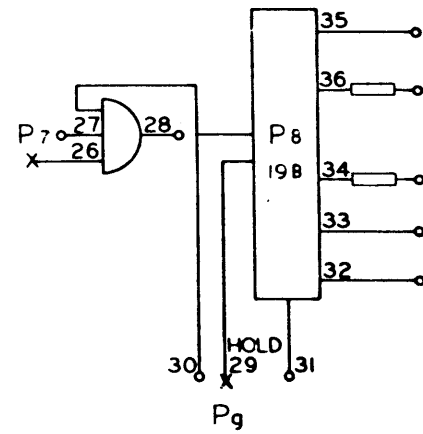
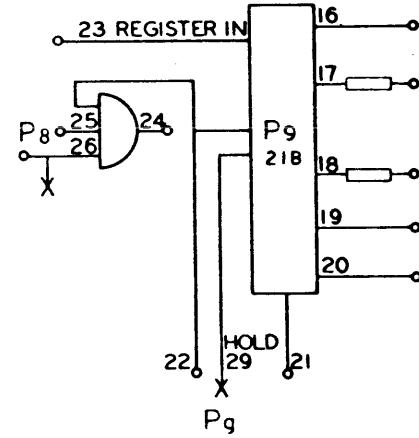
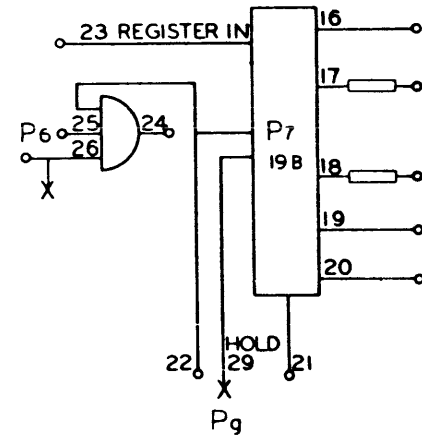


920
Page 49

NO. REQ.	DRAWING NO.	DESCRIPTION	REFERENCE DESIGNATION	ITEM NO.
MATERIAL LIST				
NOTES UNLESS SPECIFIED		DRAWN	SDS SCIENTIFIC DATA SYSTEMS 1542 FIFTEENTH STREET, SANTA MONICA, CALIFORNIA	
1. TOLERANCES XX ± .050 XXX ± .010	ANGULAR ± 1°	CHECK	TITLE DIAGRAM, LOGIC COMPUTER	
2. BREAK ALL SHARP EDGES Ø10 APPROX	3. MACH SURFACES ✓	APPR		
4. ALL DIM. IN INCHES				
MODEL NO.	920	SIZE	DWG NO.	A
NEXT ASSY.		D	101701	
SCALE		DO NOT SCALE DRAWING		SHEET

101701 (A)

REV		REVISIONS			101701	A
REV	DESCRIPTION	CHK	DATE	APPROVED		
A	RELEASED TO MFG					

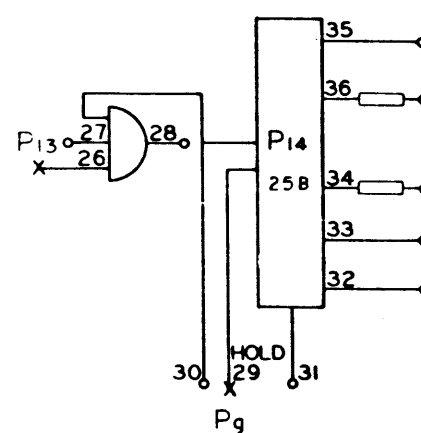
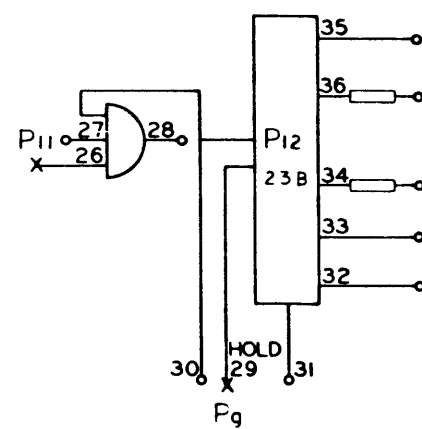
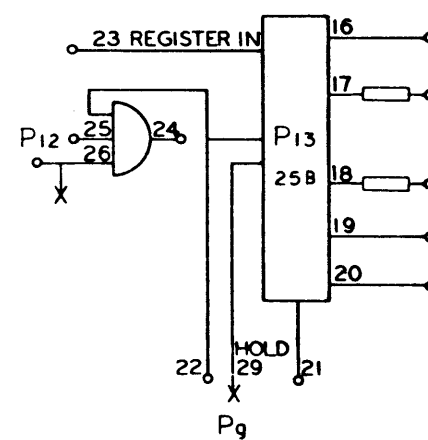
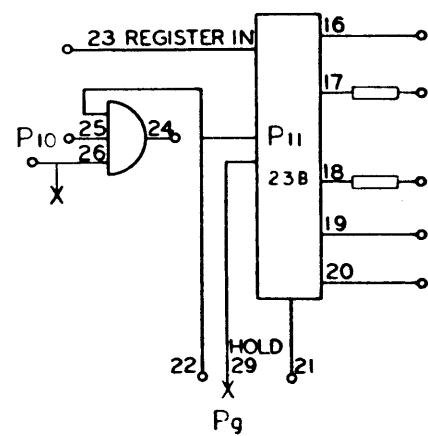


920
Page 50

101701 | A |

NO. REQ.	DRAWING NO.	DESCRIPTION	REFERENCE DESIGNATION	ITEM NO.
MATERIAL LIST				
NOTES UNLESS SPECIFIED 1. TOLERANCES .02 ± .006 ANGULAR .015 ± .010 2. BREAK ALL SHARP EDGES .010 APPROX. 3. MACH. SURFACES ✓ 4. ALL DIM. IN INCHES		DRAWN CHECK APPR.	1/3/67 11/19/67	TITLE SDS SCIENTIFIC DATA SYSTEMS 1522 FIFTEENTH STREET SANTA MONICA CALIFORNIA DIAGRAM, LOGIC COMPUTER
MODEL NO.	920	SIZE	DWS NO.	A
NEXT ASSY.		SCALE	DO NOT SCALE DRAWING	SHEET

REVISIONS				101701	A
REV	DESCRIPTION	CHE	DATE	APPROVED	
A	RELEASED TO MFG		11/12/62		

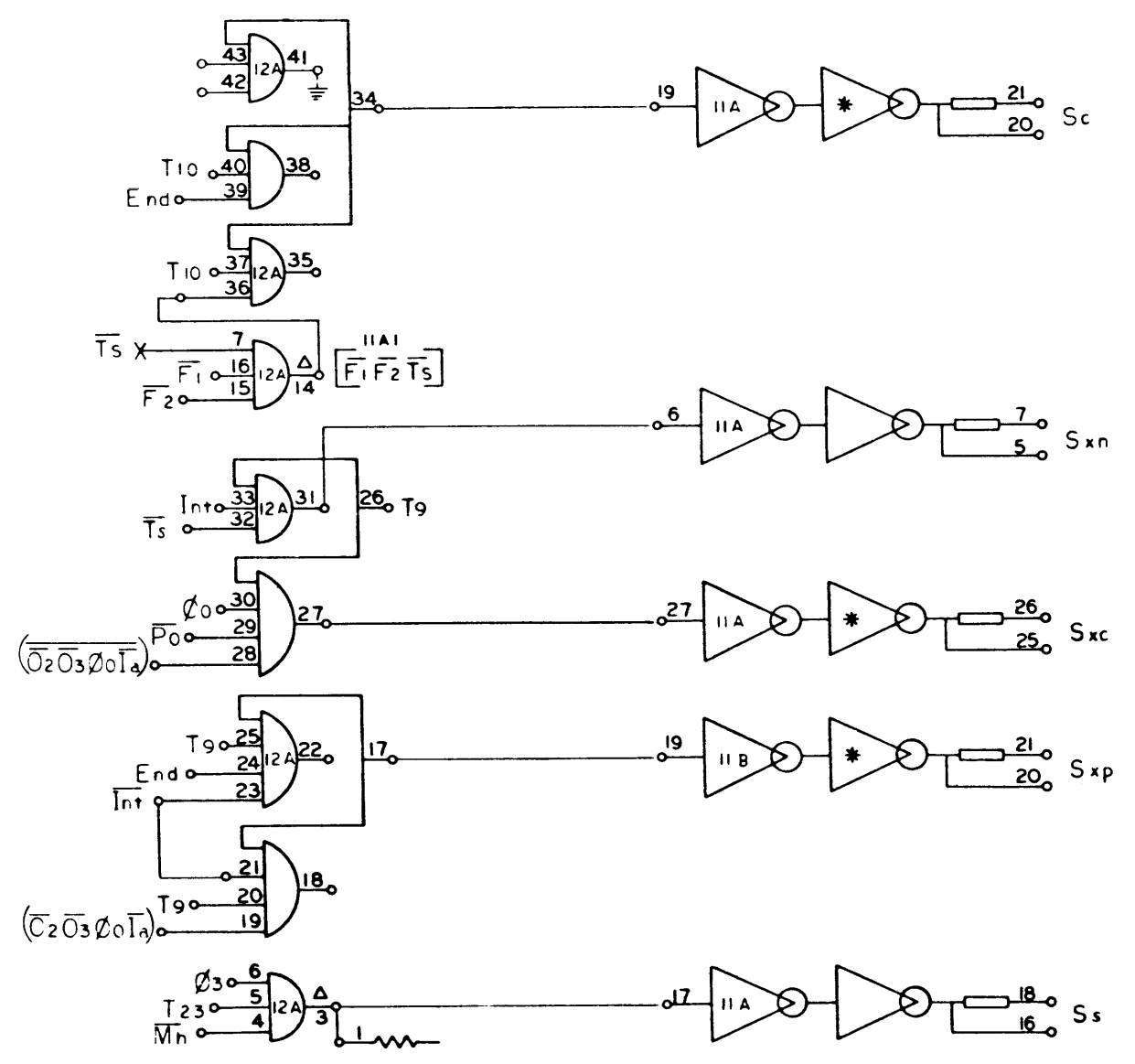


920
Page 51

NO. REQ.	DRAWING NO.	DESCRIPTION	REFERENCE DESIGNATION	ITEM NO.
MATERIAL LIST				
NOTES UNLESS SPECIFIED		DRAWN	CHECK	DATE
1. TOLERANCES AS ± 0.00 ANGULAR SEE 2 DIM ± 1°				11/12/62
2. BREAK ALL SHARP EDGES @ 10 APPROX		APPR		11/12/62
3. MACH SURFACES ✓				
4. ALL DIMS IN INCHES				
		 1542 FIFTEENTH STREET, SANTA MONICA, CALIFORNIA		
		TITLE DIAGRAM, LOGIC COMPUTER		
MODEL NO.	920	SIZE	DWG NO.	A
NEXT ASSY.		SCALE	DO NOT SCALE DRAWING	SHEET

101701 JA1

REV		DESCRIPTION			REVISIONS			101701	A
NO	DATE	BY	CHK	DATE	APPROVED	DATE	BY	DATE	
A					RELEASED TO MFG				

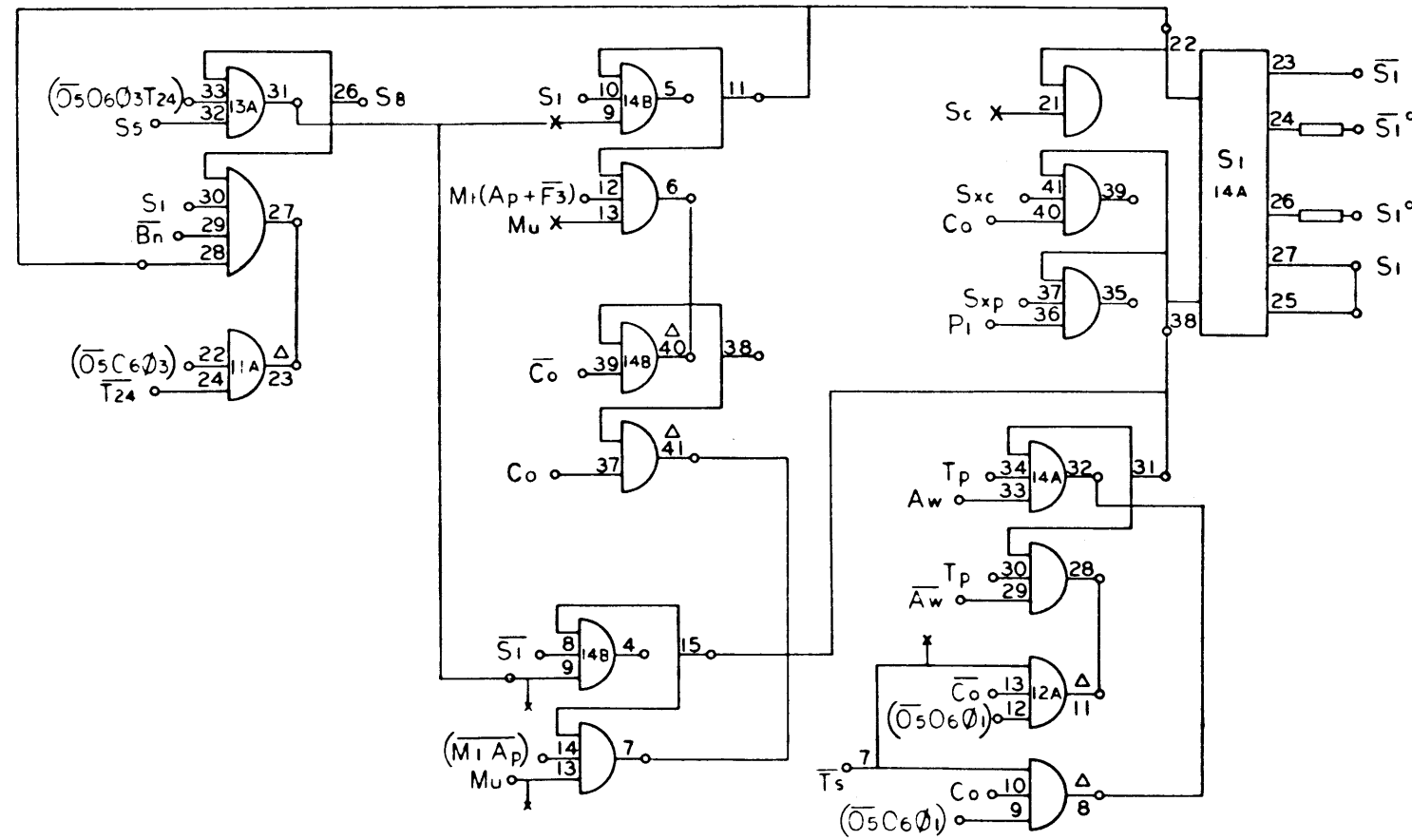


920
Page 52

101701 A

NO	DRAWING NO.	DESCRIPTION	REFERENCE DESIGNATION	ITEM NO.
MATERIAL LIST				
NOTES UNLESS SPECIFIED 1. TOLERANCES: .30 ± .000 ANGULAR .333 ± .010 2. BREAK ALL SHARP EDGES .010 APPROX 3. MACH SURFACES ✓ 4. ALL DIM. IN INCHES				
DRAWN				
CHECK				
APPR				
SDS SCIENTIFIC DATA SYSTEMS 1525 FIFTEENTH STREET, SANTA MONICA, CALIFORNIA				
TITLE				
DIAGRAM, LOGIC COMPUTER				
MODEL NO.		SIZE		DWG NO.
920		D		101701
NEXT ASSY.		SCALE		SHEET
		DO NOT SCALE DRAWING		A

REVISIONS				101701	A
REV	DESCRIPTION	CHK	DATE	APPROVED	
A	RELEASED TO MFG				



920
Page 53

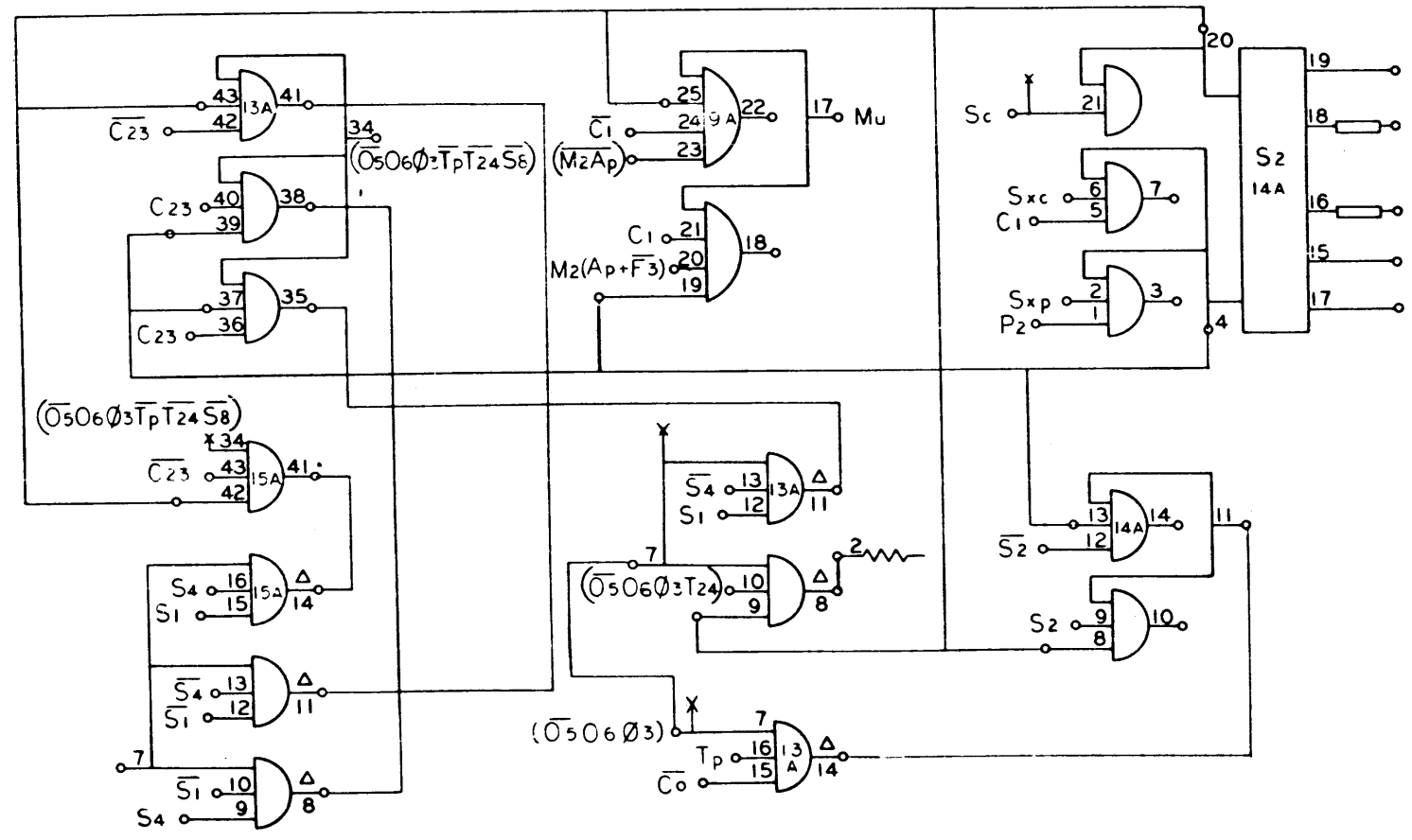
NO. REQ.	DRAWING NO.	DESCRIPTION	REFERENCE DESIGNATION	ITEM NO.
NOTES UNLESS SPECIFIED				
1. TOLERANCES		DRAWN	MATERIAL LIST	
XX - 0.00		CHECK	SDS SCIENTIFIC DATA SYSTEMS	
XX - 0.01		APPR	1942 FIFTEENTH STREET SANTA MONICA, CALIFORNIA	
2. BREAK ALL SHARP EDGES 0.10 APPROX		TITLE		
3. MACH SURFACES ✓		DIAGRAM, LOGIC COMPUTER		
4. ALL DIM. IN INCHES		MODEL NO. 920		
NEXT ASSY		SIZE D		DWG NO. 101701
		SCALE		SHEET A
		DO NOT SCALE DRAWING		

101701 | A |

REV		DESCRIPTION		CHR	DATE	APPROVED
A		RELEASED TO MFG				
B		SEE REV. E.C.				

101701 3

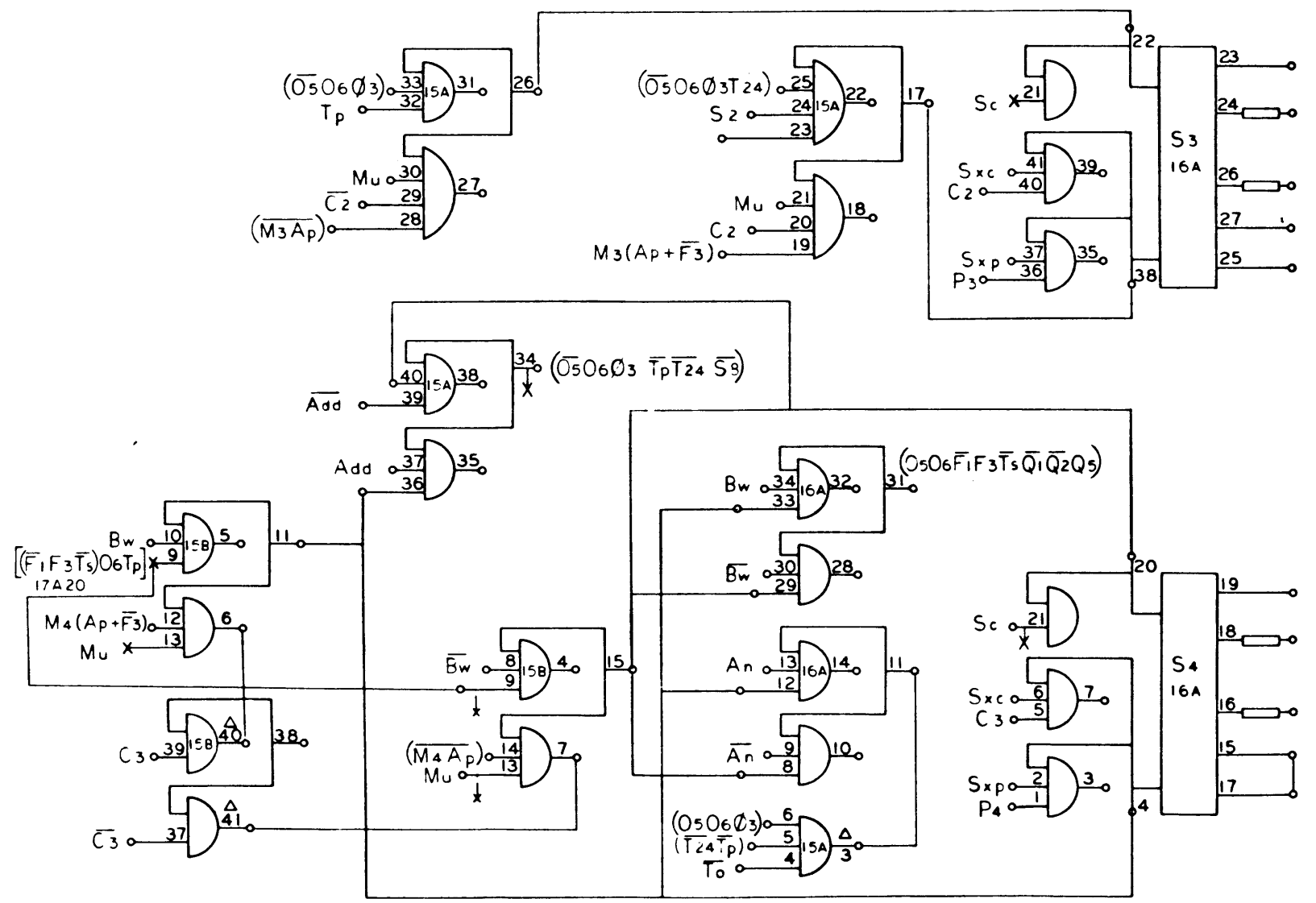
101701 B



920
Page 54
B

NO. REQ.	DRAWING NO.	DESCRIPTION	REFERENCE DESIGNATION	ITEM NO.
MATERIAL LIST				
NOTES UNLESS SPECIFIED		DRAWN	CHECK	
1. TOLERANCES AS : DIM ANGLULAR DIM : DIM 2 1/2"				
2. BREAK ALL SHARP EDGES 90° APPROX		APPR		
3. BACK SURFACES				
4. ALL DIM. IN INCHES				
		1542 FIFTEENTH STREET SANTA MONICA CALIFORNIA		
		TITLE		
		DIAGRAM, LOGIC COMPUTER		
MODEL NO.		SIZE	DWG NO.	ITEM NO.
920		D	101701	B
NEXT ASSY.		SCALE	DO NOT SCALE DRAWING	SHEET

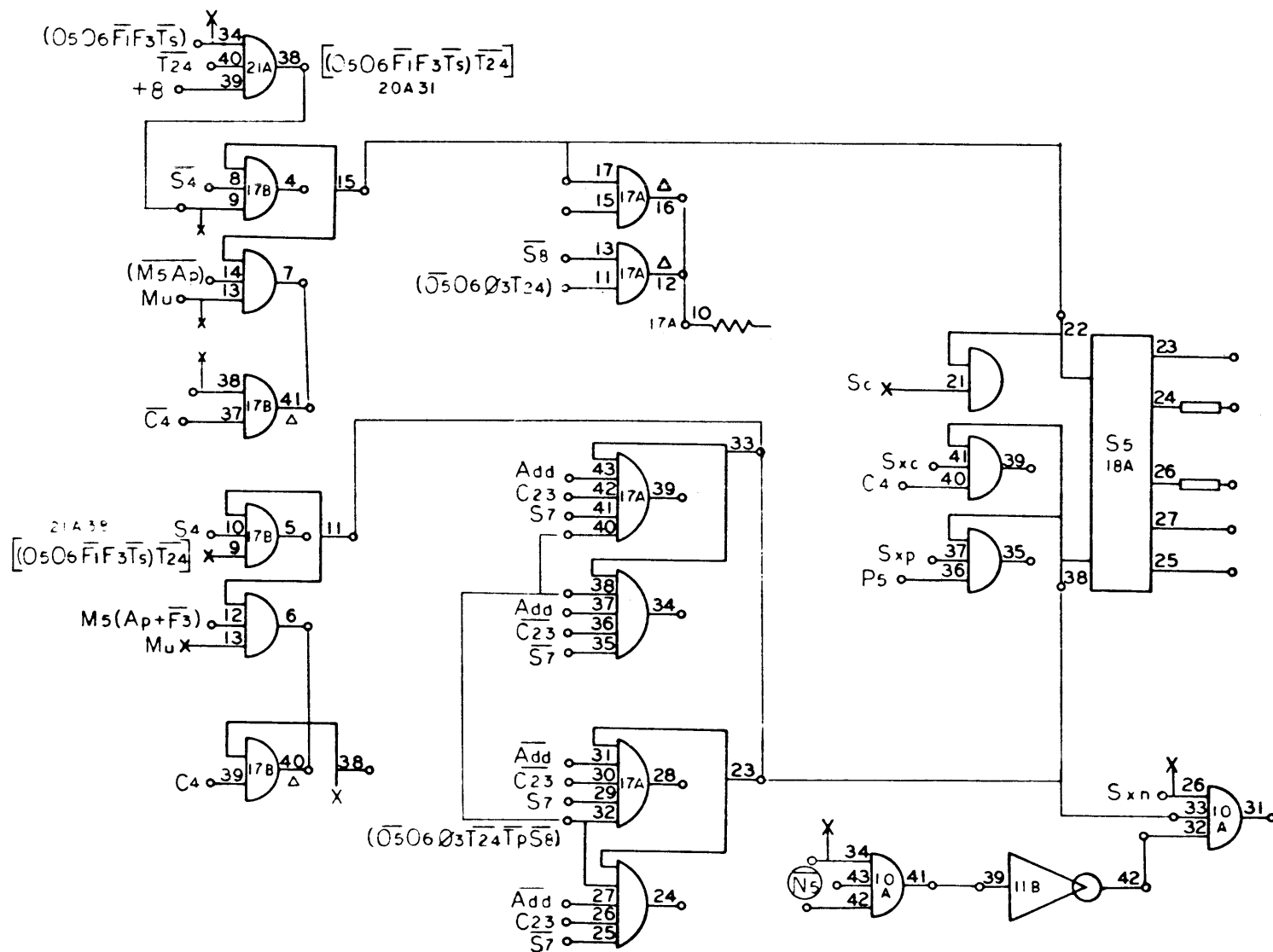
REV			DESCRIPTION		CHK	DATE	APPROVED
A			RELEASED TO MFG				



NO. REG.	DRAWING NO.	DESCRIPTION	REFERENCE DESIGNATION	ITEM NO.
MATERIAL LIST				
NOTES UNLESS SPECIFIED		DRAWN		
1. TOLERANCES XX ±.000 XX ±.010		CHECK	<i>[Signature]</i>	<i>[Date]</i>
2. BREAK ALL SHARP EDGES .010 APPROX		APPR	<i>[Signature]</i>	<i>[Date]</i>
3. HATCH SURFACES ✓				
4. ALL DIM. IN INCHES				
MODEL NO. 920		TITLE DIAGRAM, LOGIC COMPUTER		
NEXT ASSY.		SIZE D	DWG NO. 101701	A
SCALE			DO NOT SCALE DRAWING	SHEET

101701 1A1

REVISIONS			101701	A
REV	DESCRIPTION	CHK	DATE	APPROVED
A	RELEASED TO MFG			

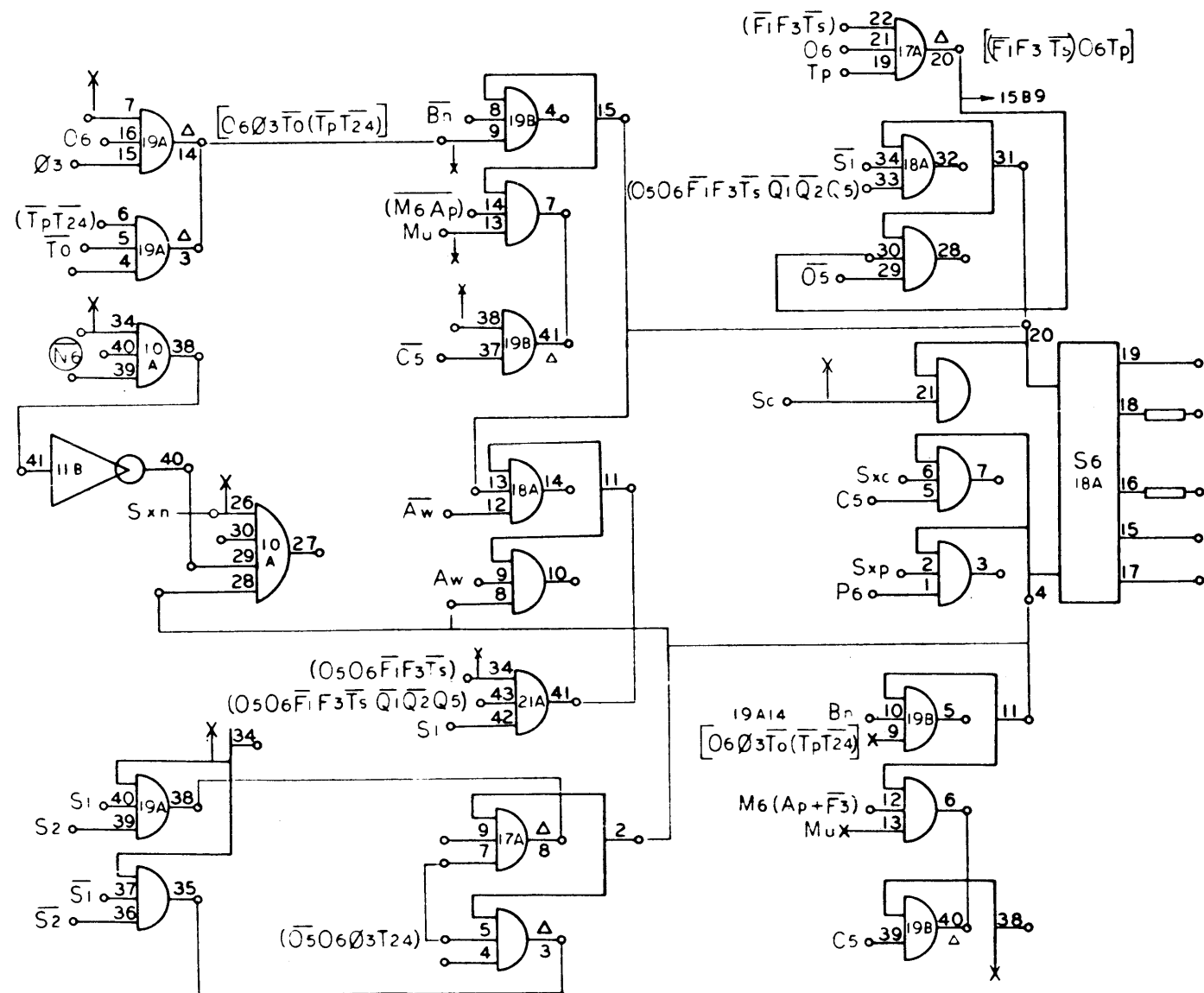


920
Page 56

NO. REQ.	DRAWING NO.	DESCRIPTION	REFERENCE DESIGNATION	ITEM NO.
MATERIAL LIST				
NOTES UNLESS SPECIFIED		DRAWN	CHECK	DATE
1. TOLERANCES 25 ± .030 ANGULAR 25 ± .010		5/4	1/13/61	
2. BREAK ALL SHARP EDGES .010 APPROX		APPR	1/18/61	
3. HATCH SURFACES ✓				
4. ALL DIM. IN INCHES				
 1542 FIFTEENTH STREET, SANTA MONICA, CALIFORNIA				
TITLE				
DIAGRAM, LOGIC COMPUTER				
MODEL NO.		SIZE	DWG. NO.	SHEET
920		D	101701	A
NEXT ASSY.		SCALE		DO NOT SCALE DRAWING

101701 A1

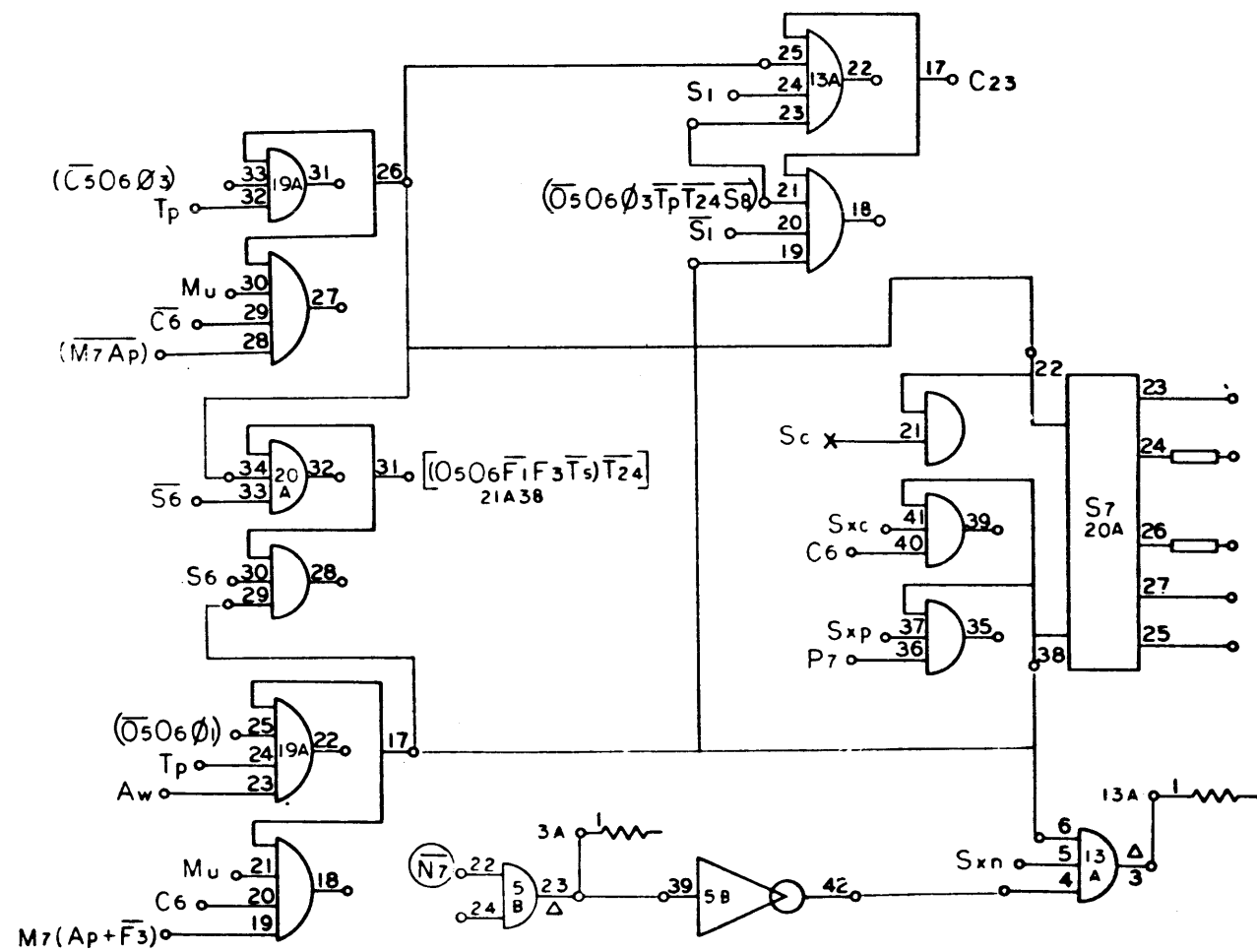
REVISIONS				101701	A
REV	DESCRIPTION	CHK	DATE	APPROVED	
A	RELEASED TO MFG				



920
Page 57

NO. REQ.	DRAWING NO.	DESCRIPTION	REFERENCE DESIGNATION	ITEM NO.
NOTES UNLESS SPECIFIED				
1. TOLERANCES XX - 0.00 XXX - 0.010		2. ANGULAR 2 1/2°	DRAWN: [Signature] 11/13/67	
3. BREAK ALL SHARP EDGES 0.10 APPROX		APPR: [Signature] 11/14/67		SDS SCIENTIFIC DATA SYSTEMS 1542 FIFTEENTH STREET SANTA MONICA, CALIFORNIA DIAGRAM, LOGIC COMPUTER
4. ALL DIM. IN INCHES				
MODEL NO.	920	SIZE	DWG NO.	A
NEXT ASSY		SCALE	D 101701	
			DO NOT SCALE DRAWING	SHEET

REVISIONS				101701	B
REV	DESCRIPTION	CHK	DATE	APPROVED	
A	RELEASED TO MFG	JH	1/13	1/13/54	
B	SEE REV. E.O.	JH	1/13	1/13/54	

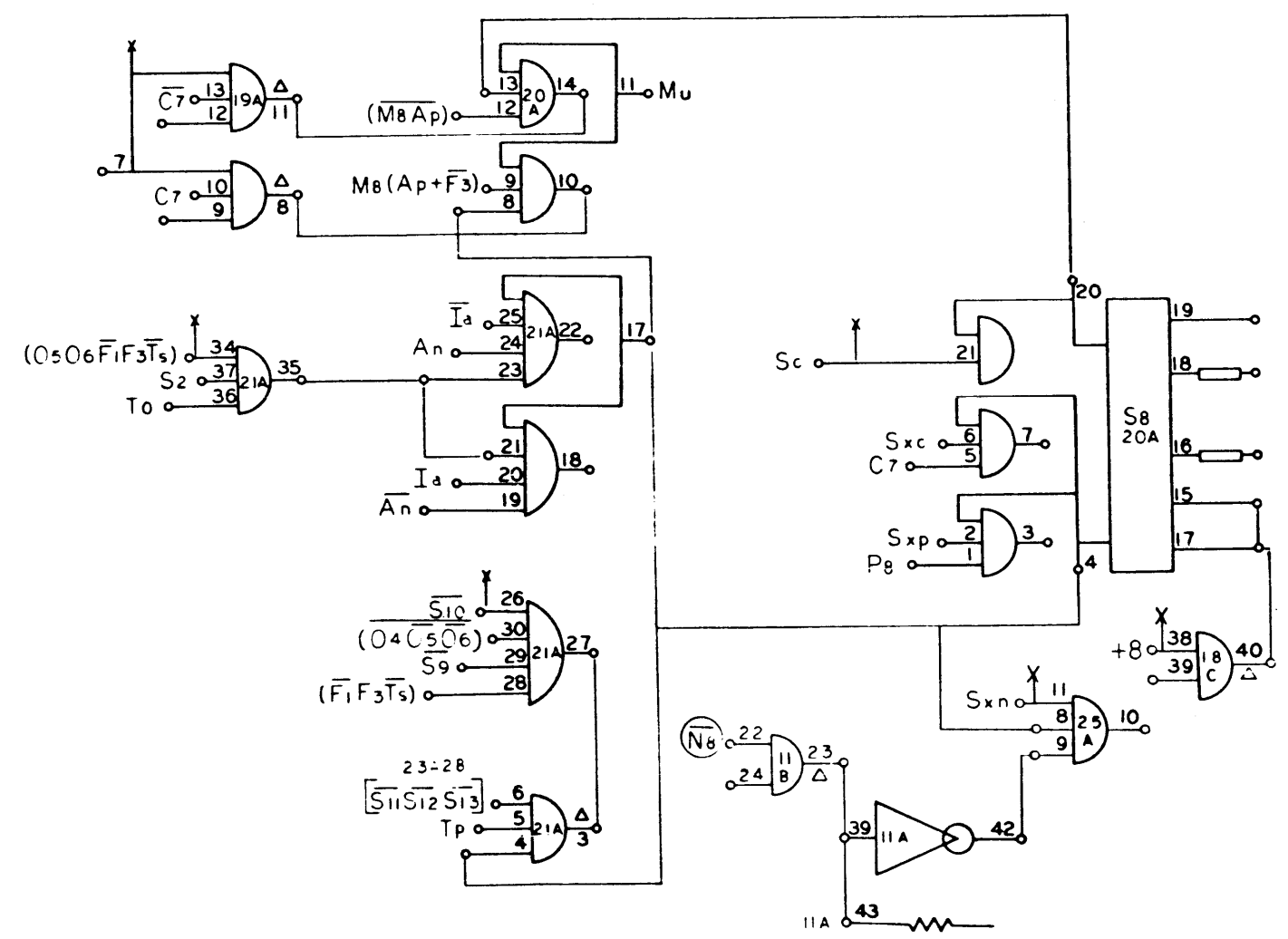


920
Page 58
B

NO. REV.	DRAWING NO.	DESCRIPTION	REFERENCE DESIGNATION	ITEM NO.
MATERIAL LIST				
NOTES UNLESS SPECIFIED		DRAWN	CHECK	DATE
1. TOLERANCES SEE 2. 010		APPR		
2. BREAK ALL SHARP EDGES 0.10 APPROX				
3. DRILL SURFACES				
4. ALL DIM. IN INCHES				
MODEL NO. 920		 1542 FIFTEENTH STREET, SANTA MONICA, CALIFORNIA		
NEXT ASSY.		TITLE DIAGRAM, LOGIC COMPUTER		
		SIZE	DWS NO.	ITEM NO.
		D	101701	B
		SCALE	DO NOT SCALE DRAWING	SHEET

101701 B

REVISIONS			101701	A
REV	DESCRIPTION	CHK	DATE	APPROVED
A	RELEASED TO MFG		1/13/67	<i>[Signature]</i>

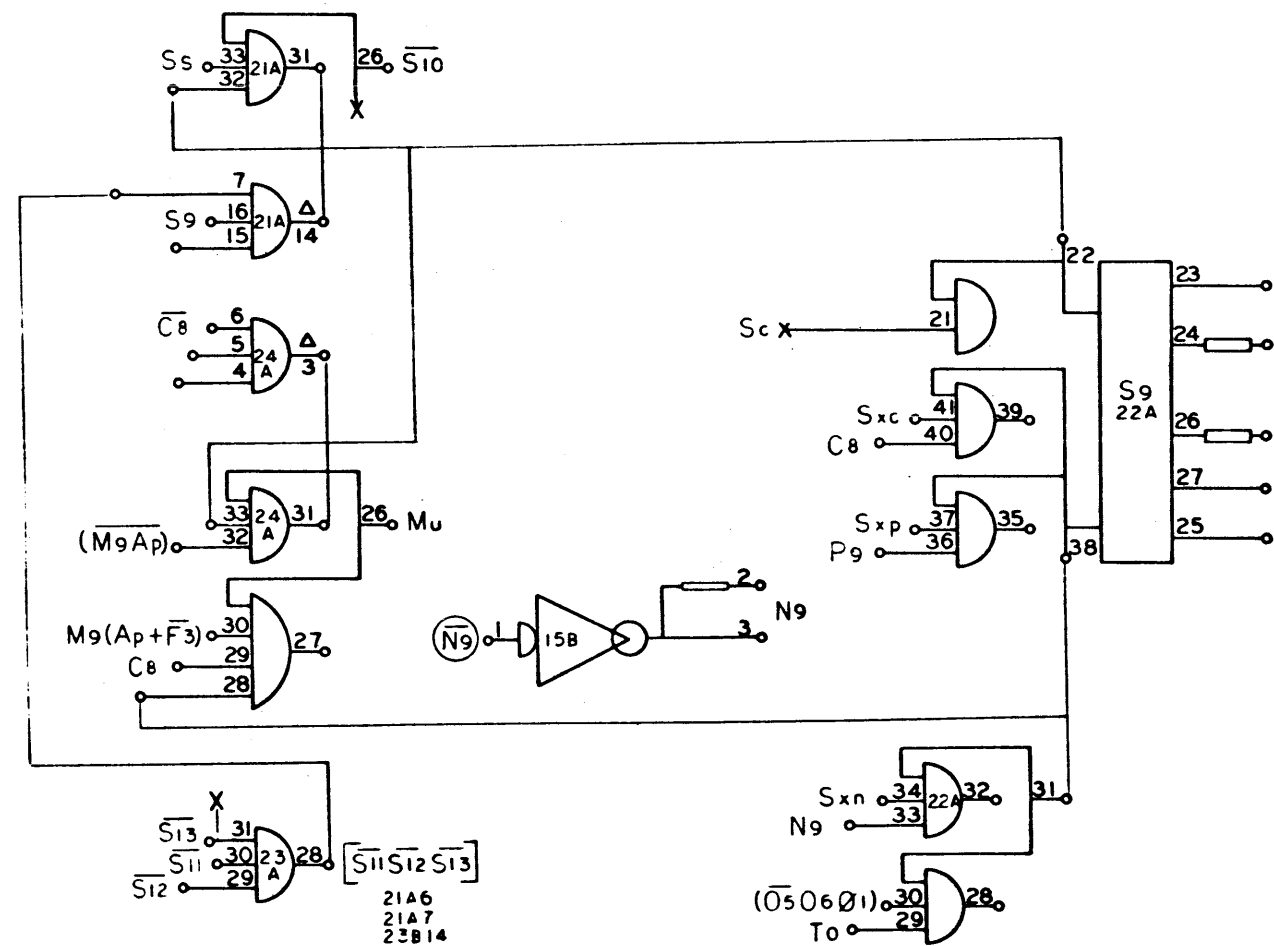


920
Page 59

NO. REQ.	DRAWING NO.	DESCRIPTION	REFERENCE DESIGNATION	ITEM NO.
MATERIAL LIST				
NOTES UNLESS SPECIFIED		DRAWN	SDS SCIENTIFIC DATA SYSTEMS 1942 FIFTEENTH STREET SANTA MONICA CALIFORNIA	
1. TOLERANCES 23 ± .000 ANGULAR RES ± .010 1°		CHECK	TITLE	
2. BREAK ALL SHARP EDGES .010 APPROX		APPR	DIAGRAM, LOGIC COMPUTER	
3. HATCH SURFACES ✓				
4. ALL DIMS. IN INCHES				
MODEL NO.	920	SIZE	DWG NO.	A
NEXT ASSY.		D	101701	
SCALE		DO NOT SCALE DRAWING SHEET		

101701 A1

REV		DESCRIPTION		REVISIONS		101701		A	
A		RELEASED TO MFG		CHK	DATE	APPROVED			

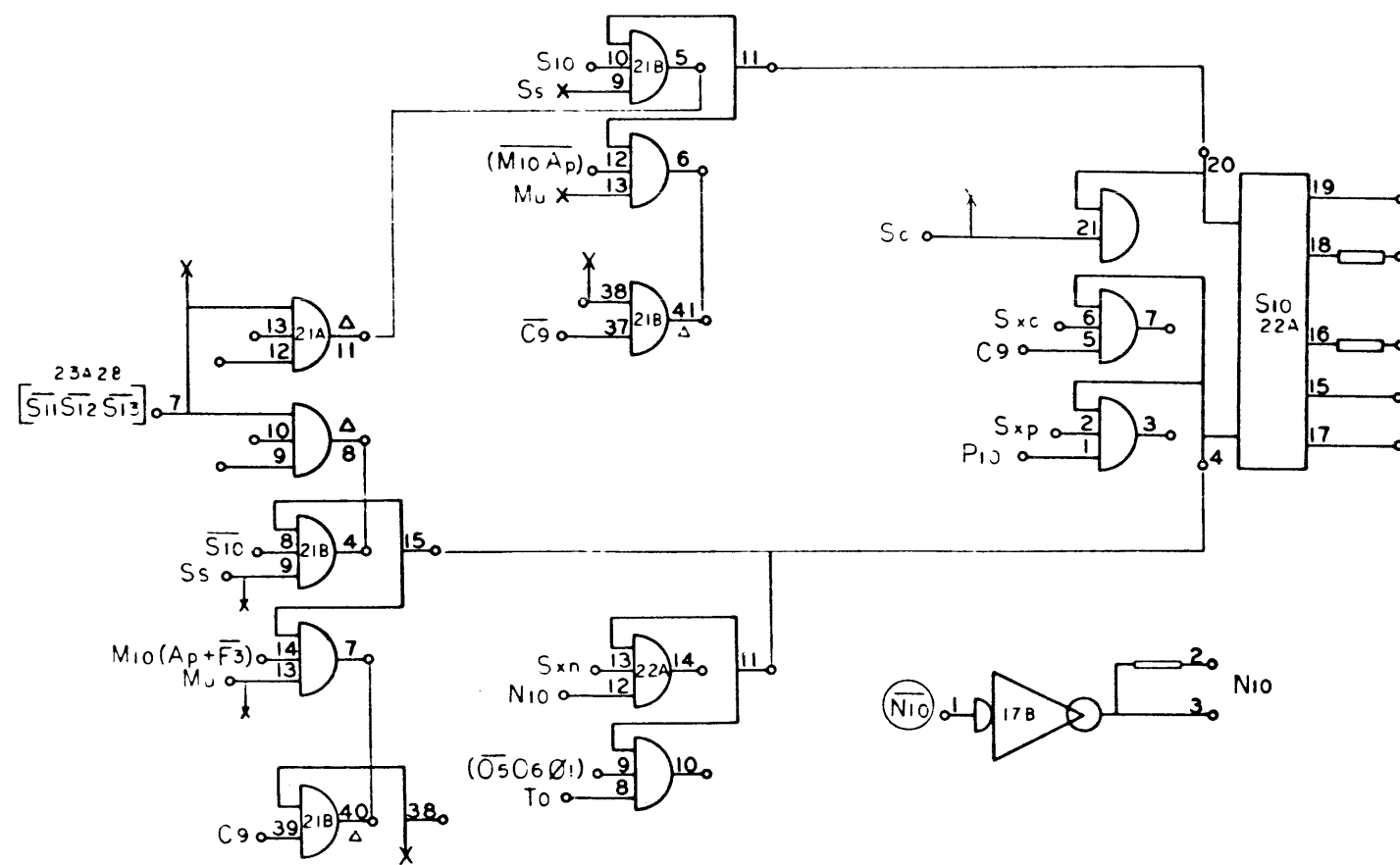


920
Page 60

101701 | A |

NO. REQ.	DRAWING NO.	DESCRIPTION	REFERENCE DESIGNATION	ITEM NO.
MATERIAL LIST				
NOTES UNLESS SPECIFIED		DRAWN	CHECK	DATE
1. TOLERANCES XX ± 0.00 ANGULAR XXX ± 0.10 ± 1/2"				1/13/67
2. BREAK ALL SHARP EDGES AND APPROX.		APPR		11/14/67
3. HATCH SURFACES ✓		<div style="text-align: center;"> <p>1542 FIFTEENTH STREET SANTA MONICA CALIFORNIA</p> <p>DIAGRAM, LOGIC COMPUTER</p> </div>		
4. ALL DIM. IN INCHES				
MODEL NO.	920	SIZE	DWG NO.	A
NEXT ASSY.		D	101701	
SCALE			DO NOT SCALE DRAWING	SHEET

REV		DESCRIPTION		CHK	DATE	APPROVED
A		RELEASED TO MFG			1/13/62	<i>[Signature]</i>

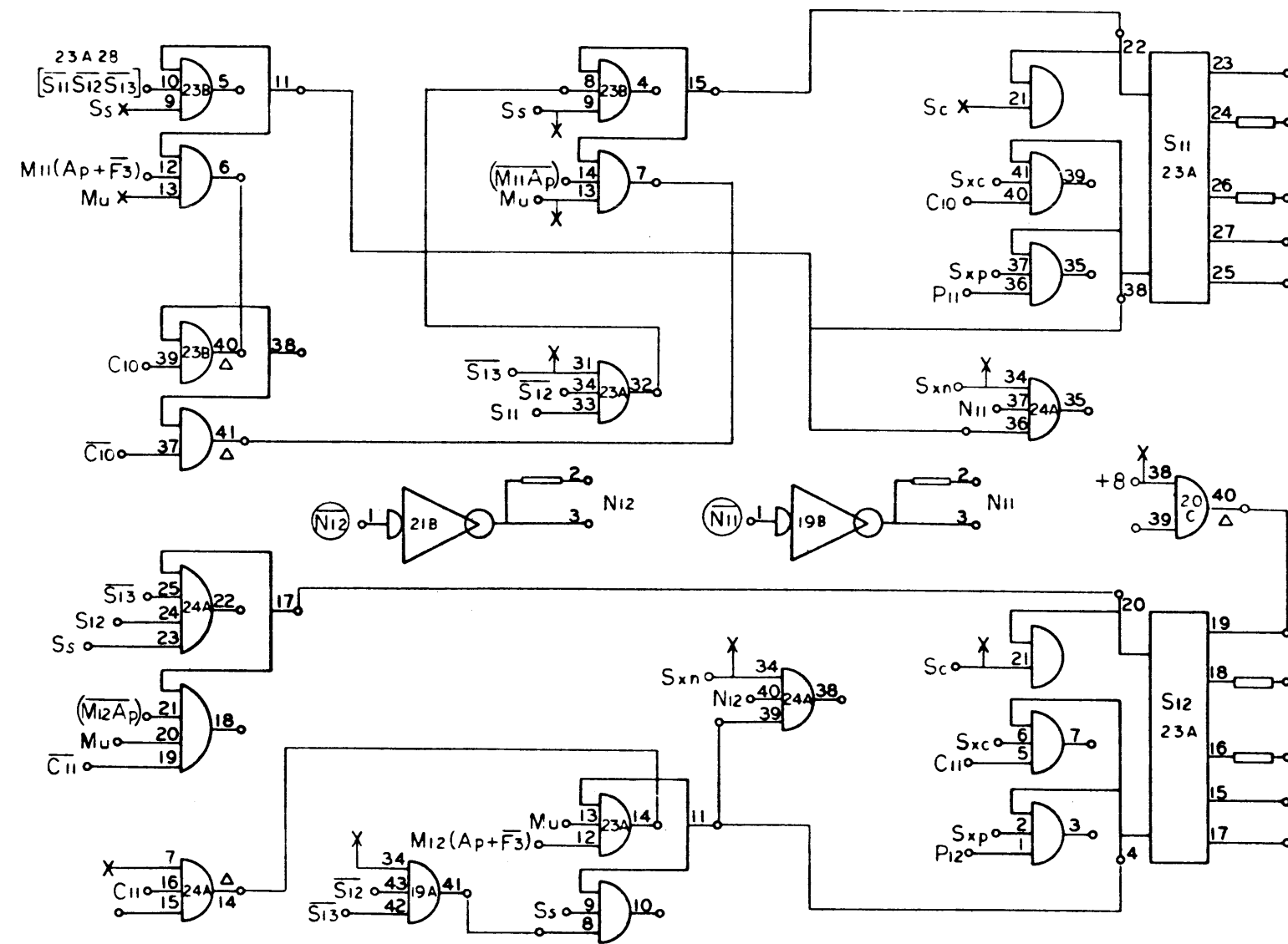


920
Page 61

NO. REV.	DRAWING NO.	DESCRIPTION	REFERENCE DESIGNATION	ITEM NO.
MATERIAL LIST				
NOTES UNLESS SPECIFIED		DRAWN	CHECK	APPR.
1. TOLERANCES DIM ± .005 ANGULAR DIM ± .010 ± 1°			<i>[Signature]</i>	1/13/62
2. BREAK ALL SHARP EDGES AND APPROX.				
3. HATCH SURFACES ✓				
4. ALL DIMS TO BEING				
MODEL NO. 920		TITLE DIAGRAM, LOGIC COMPUTER		ITEM NO. A
NEXT ASSY.		SIZE D	DWG NO. 101701	
SCALE		DO NOT SCALE DRAWING		SHEET

101701 (A)

REV		DESCRIPTION		CHK	DATE	APPROVED
A		RELEASED TO MFG				

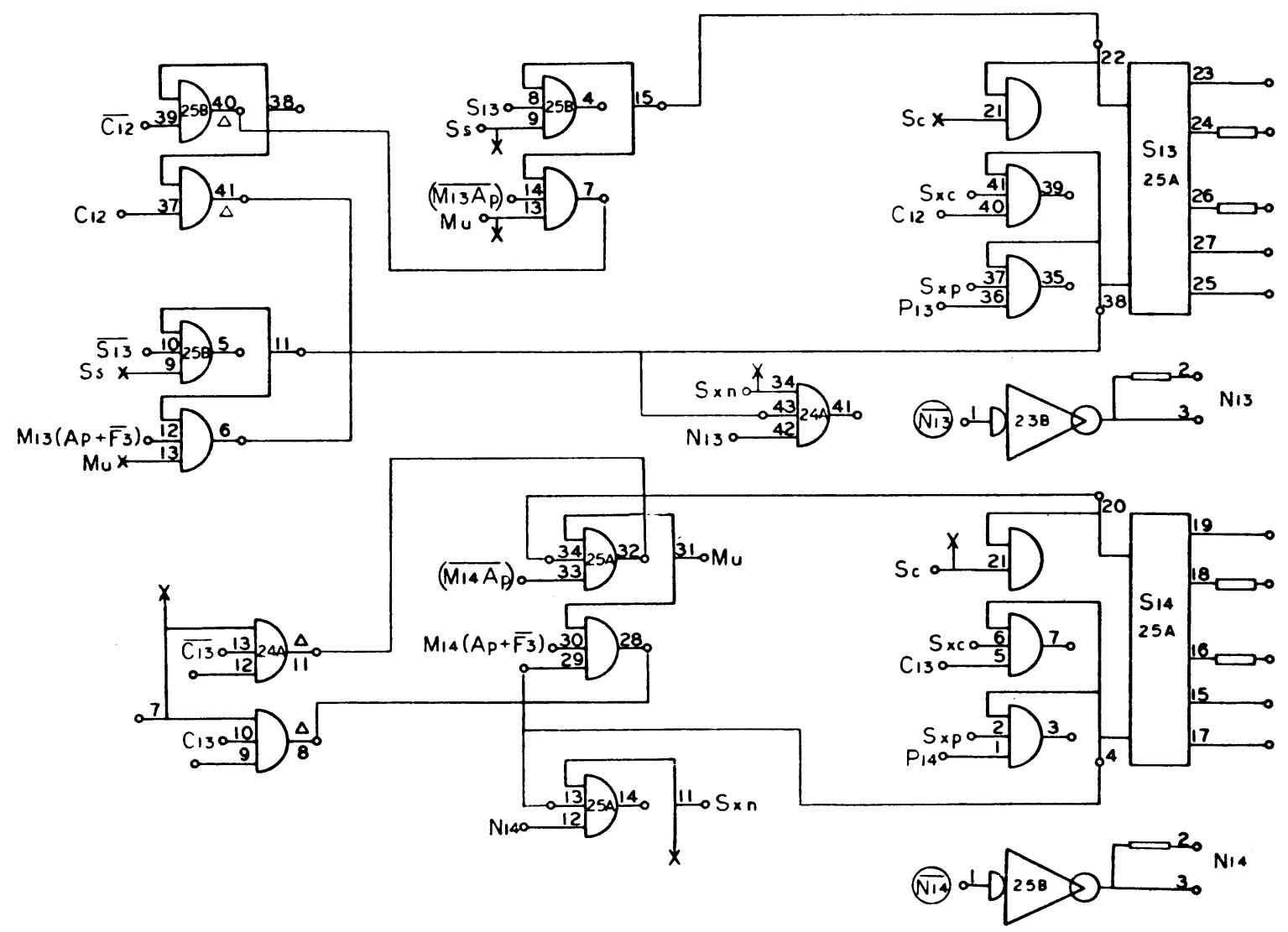


920
Page 62

NO. REV.	DRAWING NO.	DESCRIPTION	REFERENCE DESIGNATION	ITEM NO.
MATERIAL LIST				
NOTES UNLESS SPECIFIED		DRAWN	CHECK	APPR.
1. TOLERANCES AS SHOWN SEE 1.010				
2. BREAK ALL SHARP EDGES 0.015 APPROX				
3. BACK SURFACES				
4. ALL DIM. IN INCHES				
		1525 FIFTEENTH STREET SANTA MONICA CALIFORNIA		
		TITLE DIAGRAM, LOGIC COMPUTER		
MODEL NO.	920	SIZE	DWS NO.	A
NEXT ASSY.		D	101701	
SCALE		DO NOT SCALE DRAWING		SHEET

101701 A

REVISIONS				101701	A
REV	DESCRIPTION	CHK	DATE	APPROVED	
A	RELEASED TO MFG		11/13		

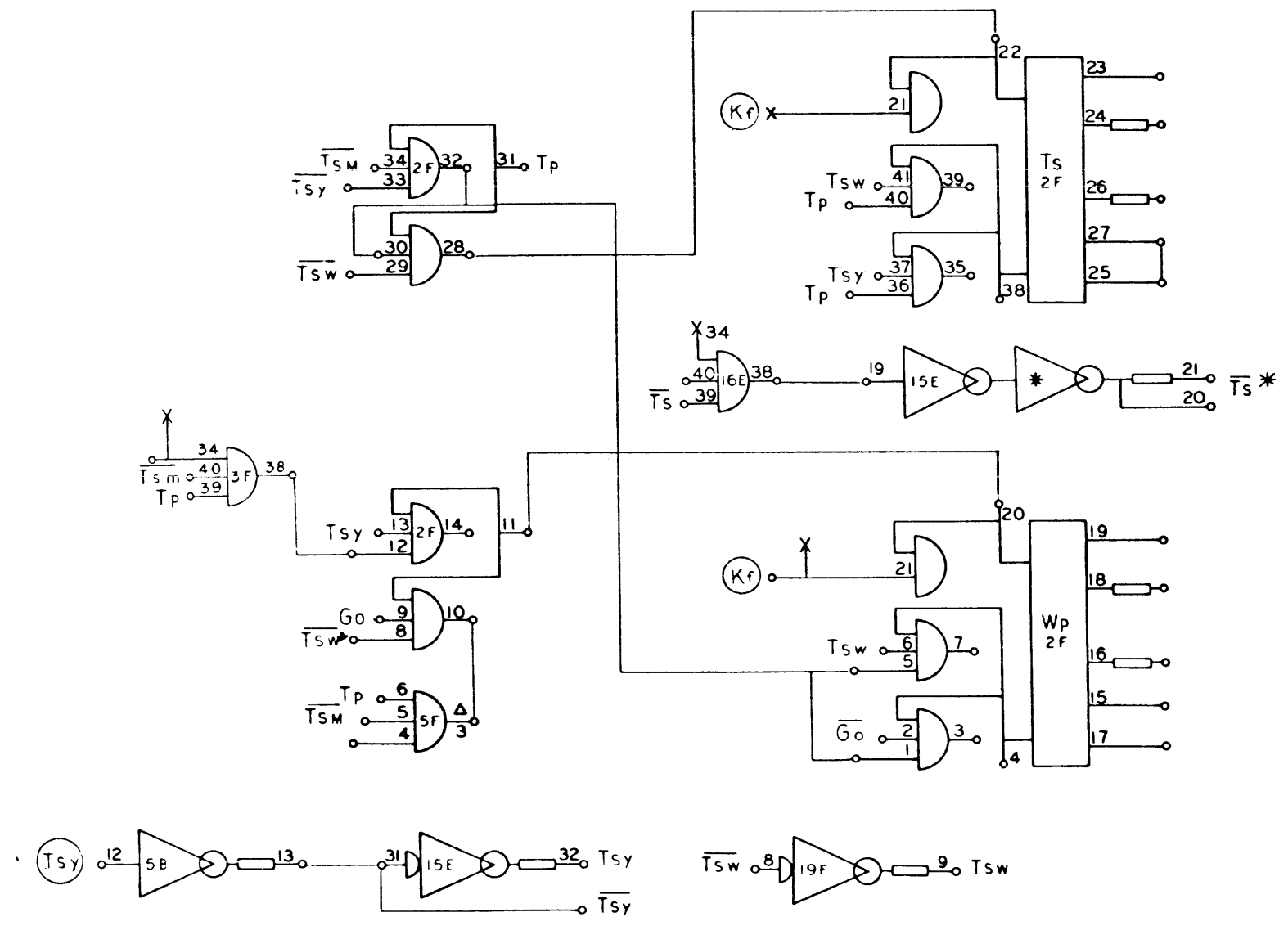


920
Page 63

NO. REQ.	DRAWING NO.	DESCRIPTION	REFERENCE DESIGNATION	ITEM NO.
MATERIAL LIST				
NOTES UNLESS SPECIFIED		DRAWN	CHECK	DATE
1. TOLERANCES XX ± .000 ANGULAR XXX ± .010		APPR		
2. BREAK ALL SHARP EDGES .010 APPROX.				
3. HATCH SURFACES ✓				
4. ALL DIM. IN INCHES				
MODEL NO. 920		SIZE D	DWG NO. 101701	SHEET A
NEXT ASSY.		SCALE	DO NOT SCALE DRAWING	SHEET

101701 A

REVISIONS				101701	
REV	DESCRIPTION	CHK	DATE	APPROVED	F
A	RELEASED TO MFG		1/13		
F	SEE REV E.O.		1/13		

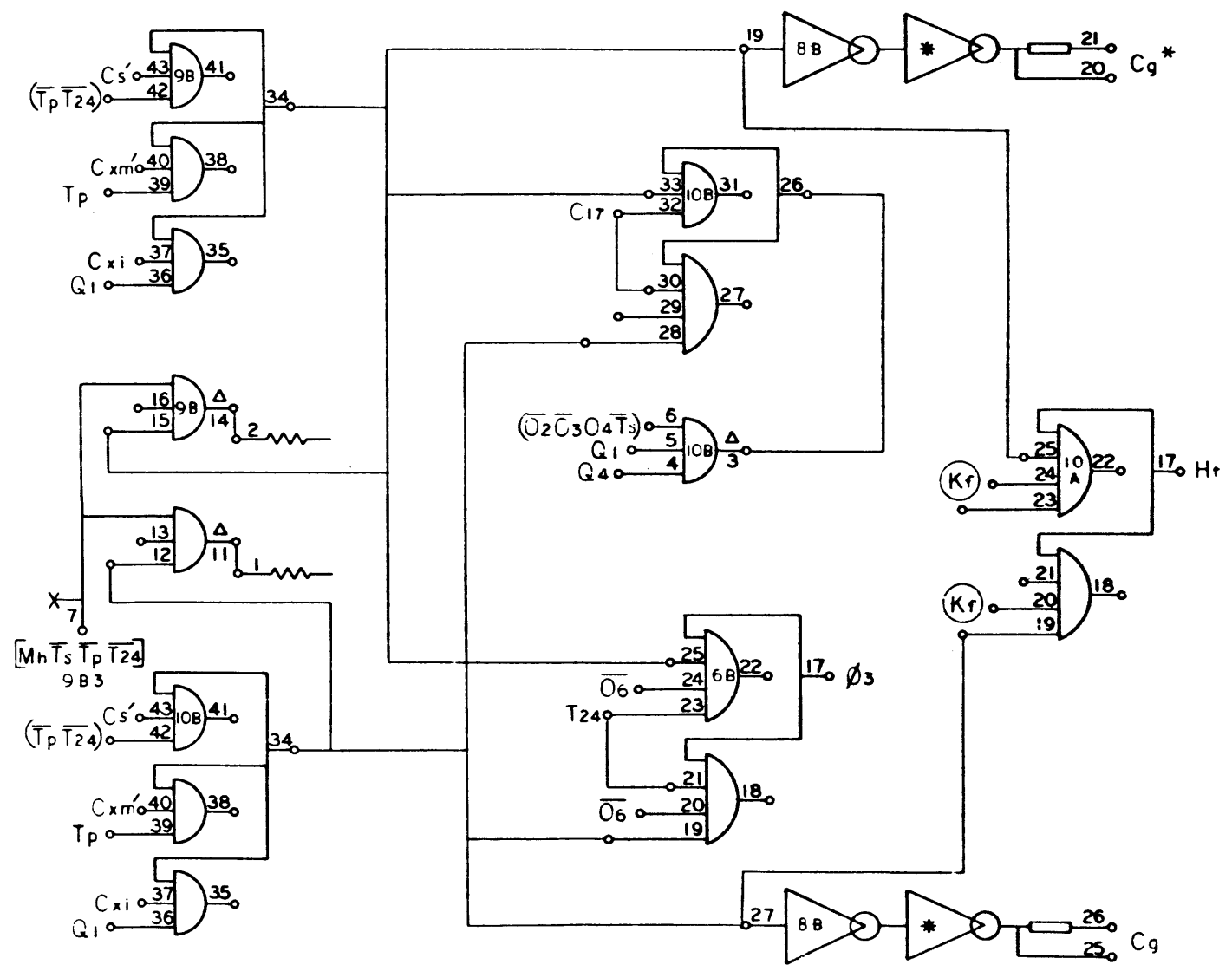


920
Page 64
F

NO	REG	DRAWING NO.	DESCRIPTION	REFERENCE DESIGNATION	ITEM NO.
MATERIAL LIST					
NOTES UNLESS SPECIFIED					
1. TOLERANCES XX ± .000 ANGULAR SEE 2.010 2.5°					
2. BREAK ALL SHARP EDGES .010 APPROX. ✓					
3. HATCH SURFACES ✓					
4. ALL DIM. IN INCHES					
DRAWN		CHECK		DATE	
APPR		DATE		DATE	
1542 FIFTEENTH STREET SANTA MONICA, CALIFORNIA					
TITLE					
DIAGRAM, LOGIC COMPUTER					
MODEL NO.		SIZE		DWG NO.	
920		D		101701	
NEXT ASBY.		SCALE		SHEET	
		DO NOT SCALE DRAWING			

101701 | 1 |

REVISIONS			101701		A
REV.	DESCRIPTION	CHK	DATE	APPROVED	
A	RELEASED TO MFG	JH	11/13/62	[Signature]	

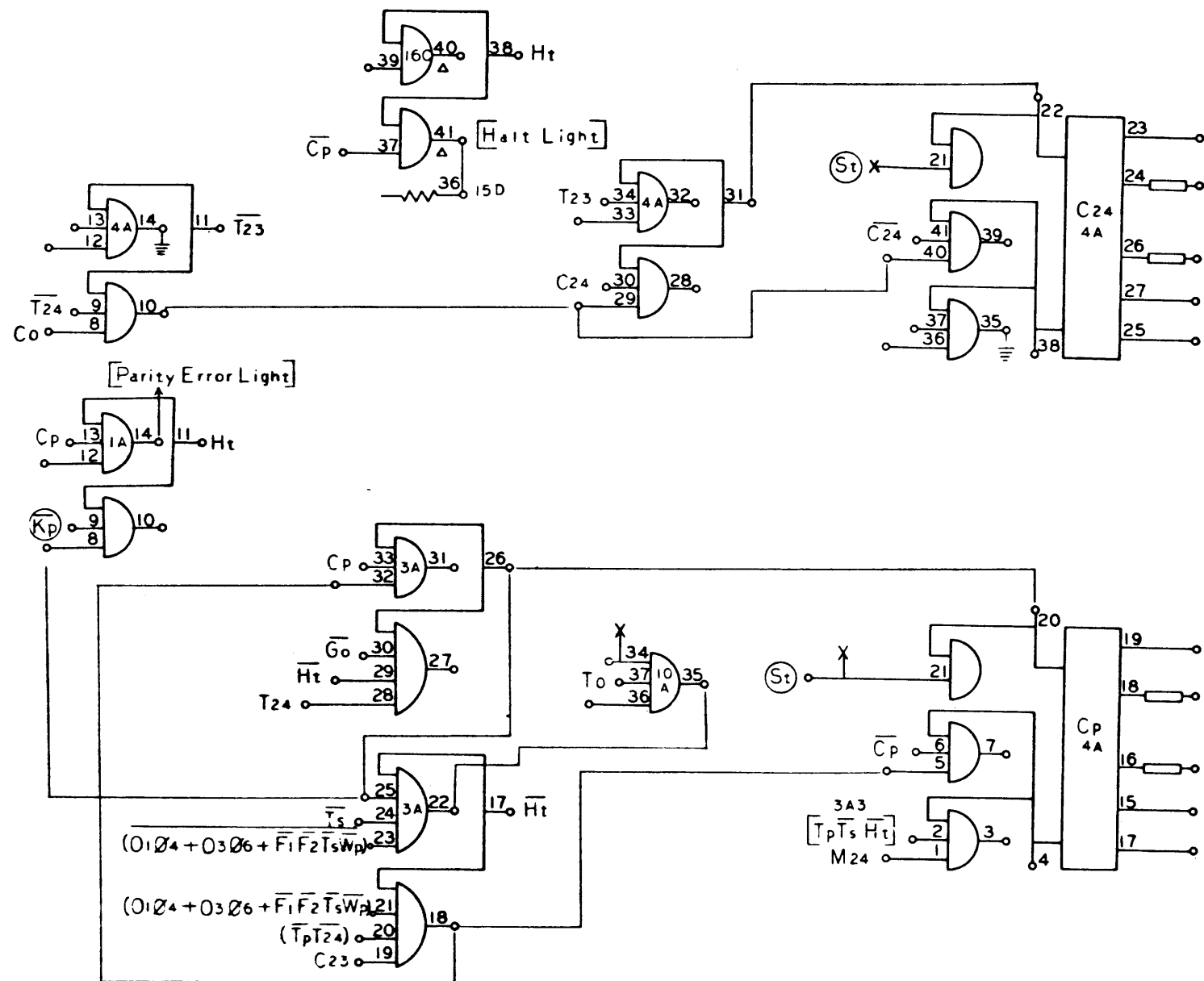


920
Page 65

NO. REQ.	DRAWING NO.	DESCRIPTION	REFERENCE DESIGNATION	ITEM NO.
MATERIAL LIST				
NOTES UNLESS SPECIFIED				
1. TOLERANCES: .25 ± .000 ANGULAR ± 1/2°				
2. BREAK ALL SHARP EDGES .010 APPROX				
3. HATCH SURFACES ✓				
4. ALL DIM. IN INCHES				
DRAWN		11/13/62	SDS SCIENTIFIC DATA SYSTEMS 1502 FIFTEENTH STREET SANTA MONICA, CALIFORNIA	
CHECKED		[Signature]		
APPROVED		[Signature]		
MODEL NO. 920			SIZE D	DWG NO. 101701
NEXT ASSY.			SCALE	SHEET A
			DO NOT SCALE DRAWING	

101701 A

REVISIONS				101701	A
REV	DESCRIPTION	CHK	DATE	APPROVED	
A	RELEASED TO MFG				

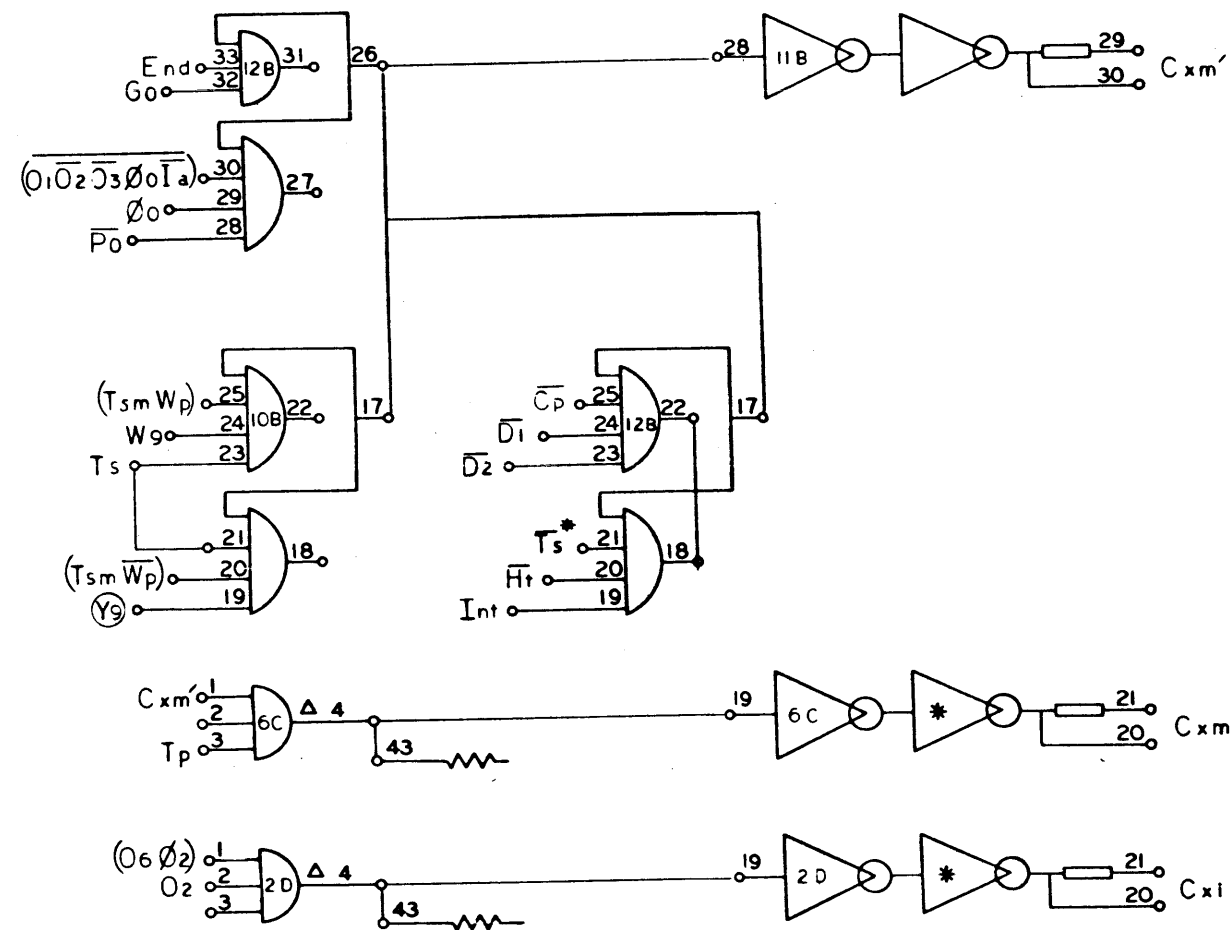


920
Page 66

NO. REQ.	DRAWING NO.	DESCRIPTION	REFERENCE DESIGNATION	ITEM NO.
NOTES UNLESS SPECIFIED				
1. TOLERANCES XX : 0.00 XXX : 0.01		2. ANGULAR 2 1/2°	SDS SCIENTIFIC DATA SYSTEMS 1542 FIFTEENTH STREET SANTA MONICA CALIFORNIA	
3. BREAK ALL SHARP EDGES 0.10 APPROX		4. BACK SURFACES ✓		5. ALL DIM. IN INCHES
MODEL NO. 920		DWS NO. D 101701		A
NEXT ASSY.		SCALE DO NOT SCALE DRAWING		SHEET

101701 A1

REVISIONS				101701	G
REV	DESCRIPTION	CHK	DATE	APPROVED	
A	RELEASED TO MFG				
G	SEE REVISION E.D.				

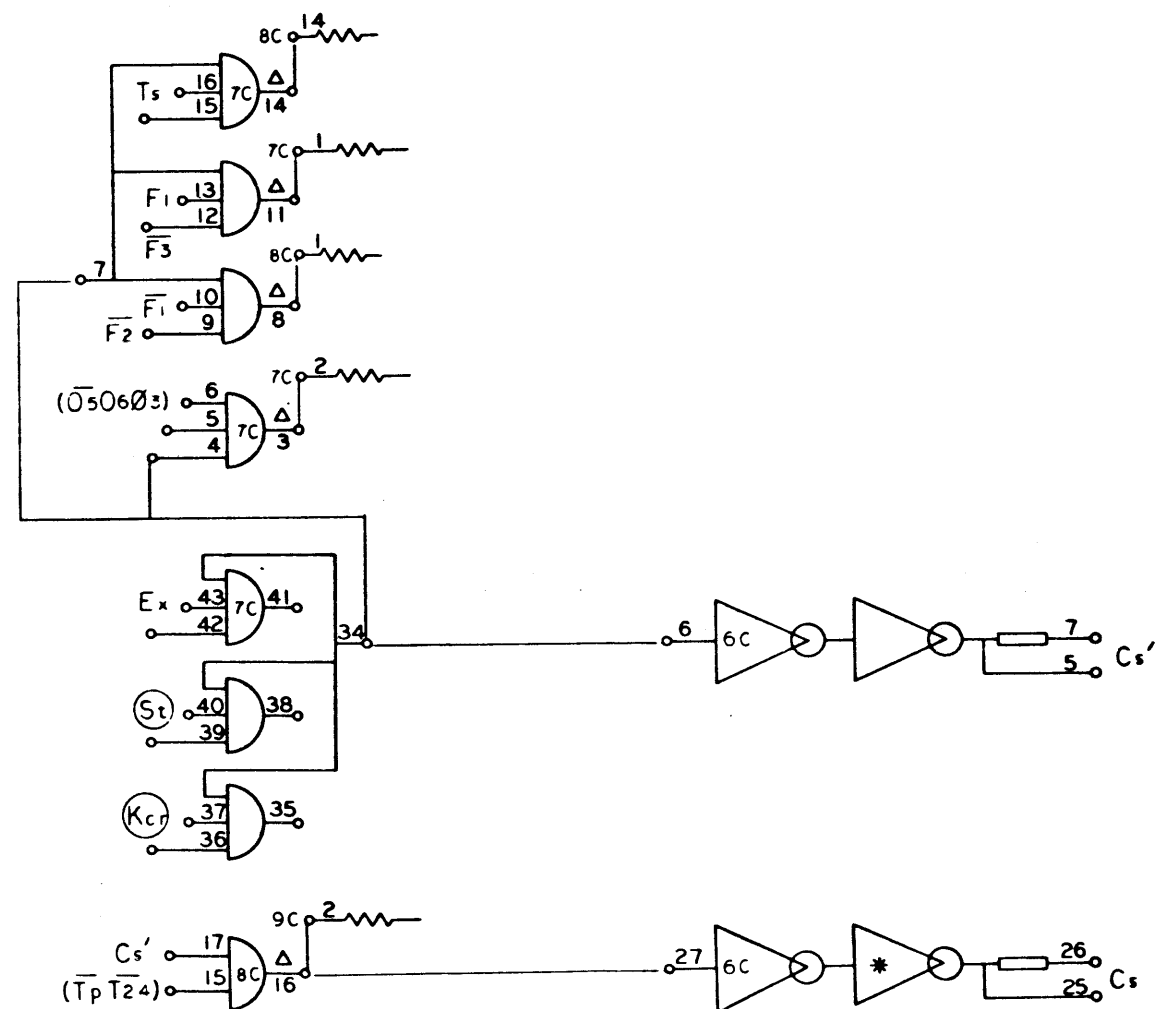


101701 | G |

920
Page 67
G

NO. REQ.	DRAWING NO.	DESCRIPTION	REFERENCE DESIGNATION	ITEM NO.	
MATERIAL LIST					
NOTES UNLESS SPECIFIED		DRAWN	<div style="text-align: center;"> <p>1548 FIFTEENTH STREET SANTA MONICA CALIFORNIA</p> <p>DIAGRAM, LOGIC COMPUTER</p> </div>		
1. TOLERANCES .XX ± .000 ANGULAR ± 1/2° .XX ± .010 2. BREAK ALL SHARP EDGES .010 APPROX 3. BACK SURFACES ✓ 4. ALL DIM IN INCHES		CHECK			
		APPR			
MODEL NO.	920	REV	D	DWG NO.	101701
NEXT ASSY.					G
SCALE			DO NOT SCALE DRAWING	SHEET	

REVISIONS				101701	A
REV	DESCRIPTION	CHR	DATE	APPROVED	
A	RELEASED TO MFG				

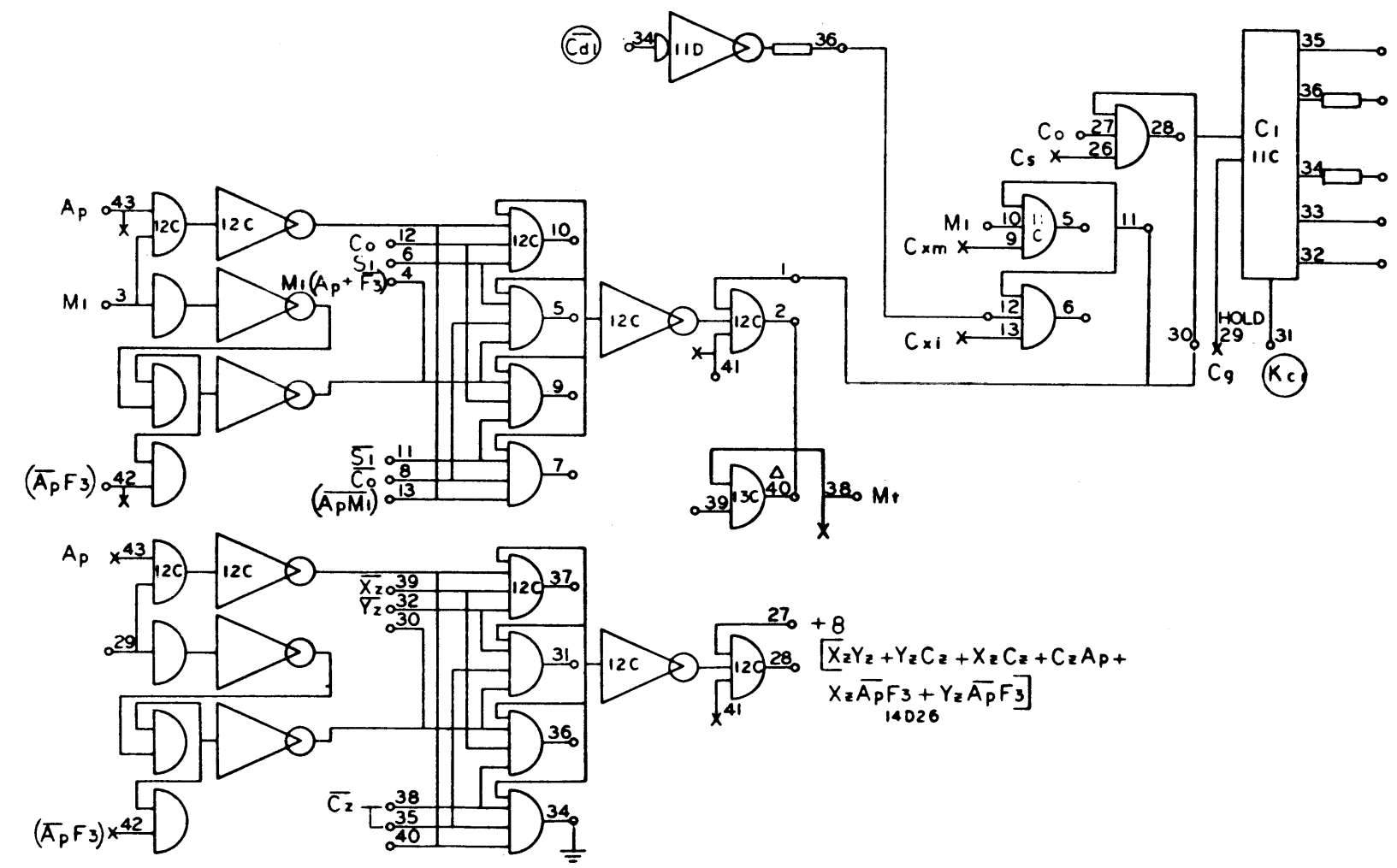


920
Page 68

NO. REQ.	DRAWING NO.	DESCRIPTION	REFERENCE DESIGNATION	ITEM NO.	
MATERIAL LIST					
NOTES UNLESS SPECIFIED		DRAWN	 <small>1542 FIFTEENTH STREET SANTA MONICA CALIFORNIA</small>		
1. TOLERANCES XX = 0.005 XXX = 0.010	CHECK	DATE	DIAGRAM, LOGIC COMPUTER		
2. BREAK ALL SHARP EDGES .010 APPROX	APPR.	DATE			
3. MACH SURFACES ✓					
4. ALL DIM. IN INCHES					
MODEL NO.	920	SIZE	D	DWG NO.	101701
NEXT ASSY.		SCALE	DO NOT SCALE DRAWING	SHEET	A

101701 (A)

REVISIONS				101701	A
REV	DESCRIPTION	CHK	DATE	APPROVED	
A	RELEASED TO MFG		11/13/64		



$$XzYz + YzCz + XzCz + CzAp + XzApF3 + YzApF3$$

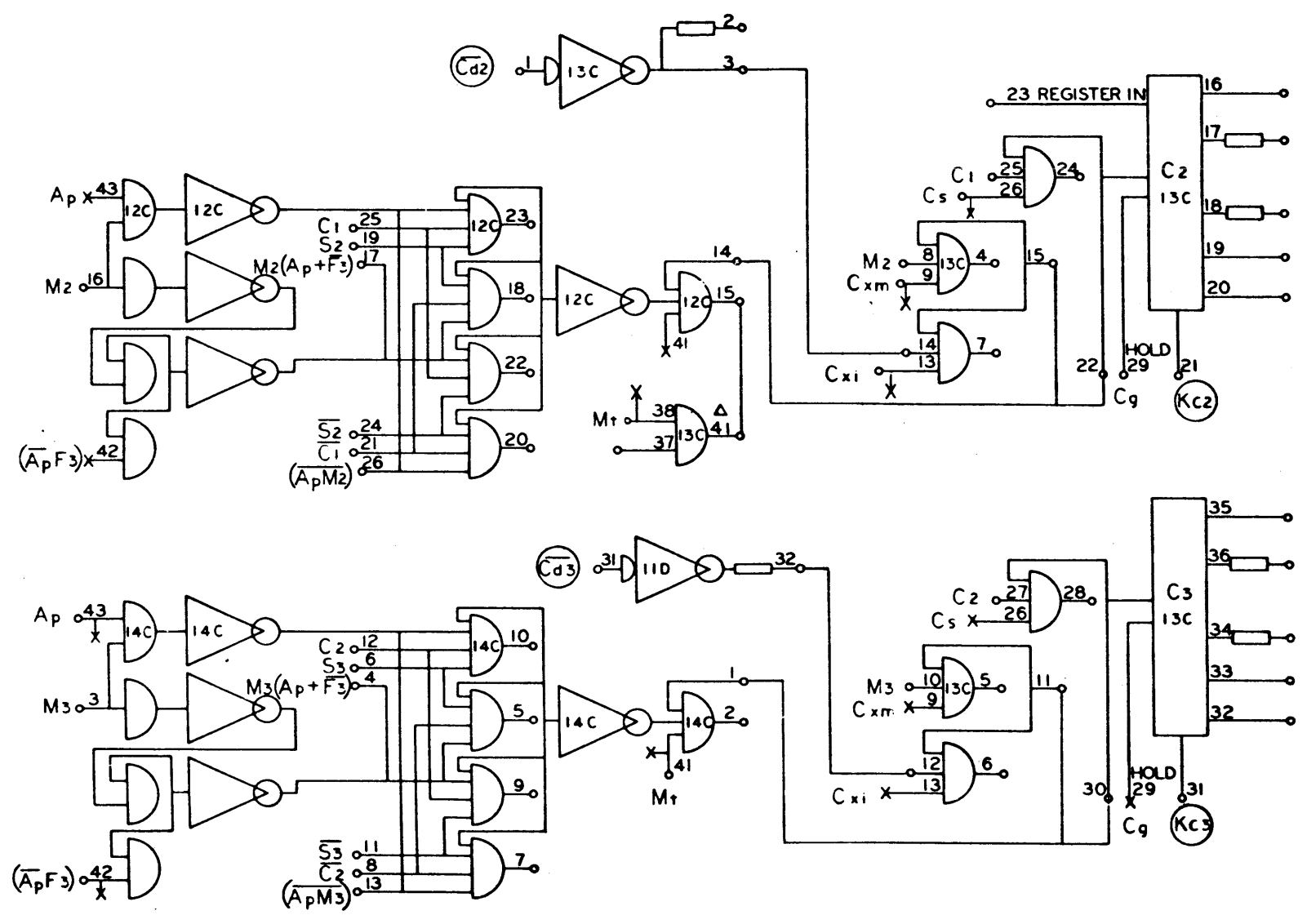
14026

920
Page 70

NO. REV.	DRAWING NO.	DESCRIPTION	REFERENCE DESIGNATION	TYPE NO.
NOTES UNLESS SPECIFIED				
1. TOLERANCES		DRAWN		
.0005 ANGULAR		CHECK	11/13/64	
.010 ± .010		APPR.	11/18/64	
2. BREAK ALL SHARP EDGES .010 APPROX.		MATERIAL LIST		
3. MACH. SURFACES ✓		SDS SCIENTIFIC DATA SYSTEMS		
4. ALL DIM. IN DECIMALS		1545 FIFTEENTH STREET SANTA MONICA, CALIFORNIA		
		TITLE		
		DIAGRAM, LOGIC COMPUTER		
MODEL NO. 920		SCALE	DWG NO. D 101701	SHEET A
NEXT ASSY.		DO NOT SCALE DRAWING		

101701 (A)

REVISIONS				101701	A
REV	DESCRIPTION	CHK	DATE	APPROVED	
A	RELEASED TO MFG				

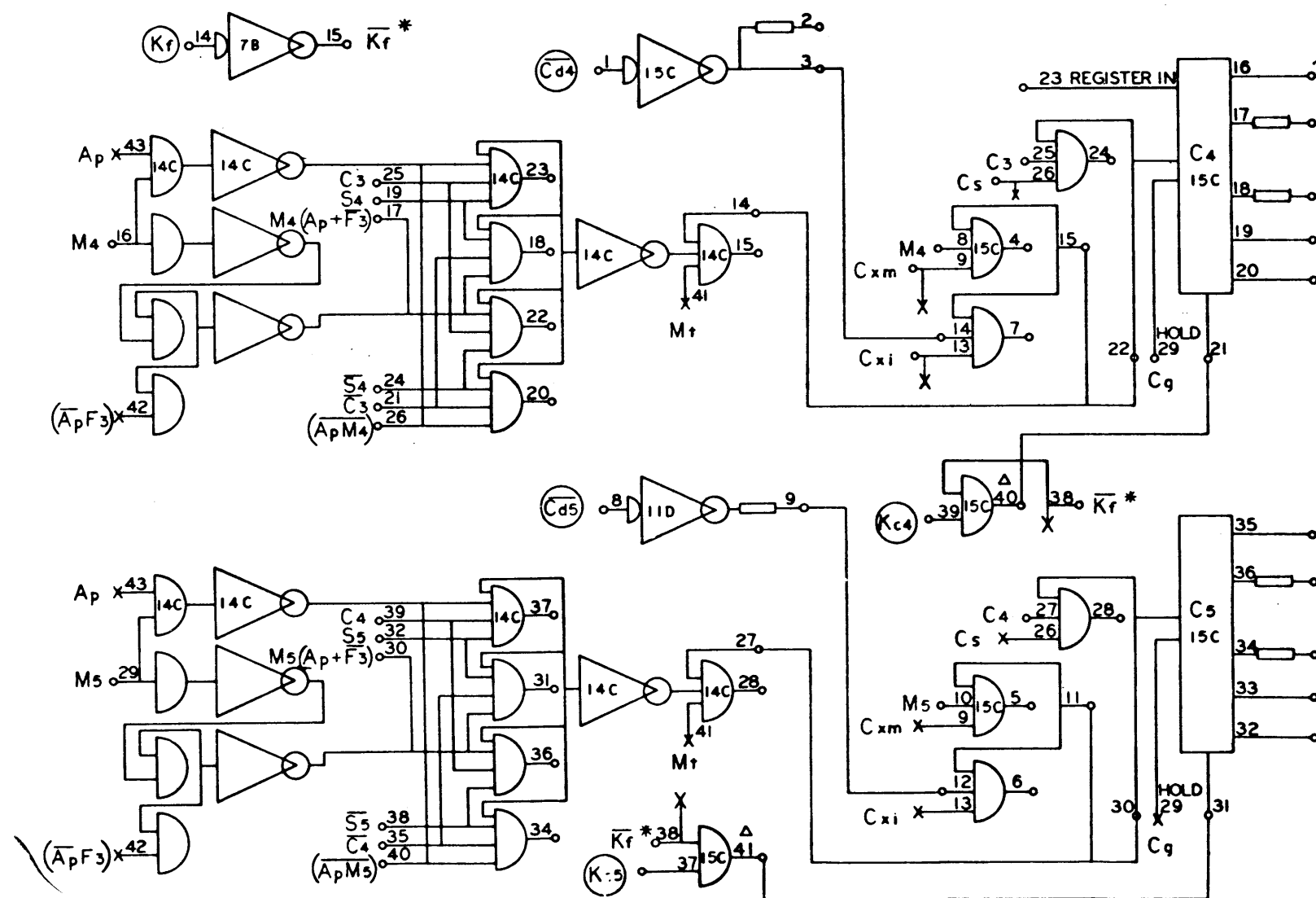


920
Page 71

101701 | A |

NO. REV.	DRAWING NO.	DESCRIPTION	REFERENCE DESIGNATION	ITEM NO.
MATERIAL LIST				
NOTES UNLESS SPECIFIED		DRAWN	SDS SCIENTIFIC DATA SYSTEMS	
1. TOLERANCES 20 ± .005 ANGULAR 25 ± .010		CHECK	1345 FIFTEENTH STREET, SANTA MONICA, CALIFORNIA	
2. BREAK ALL SHARP EDGES AND APPROX.		APPR.	TITLE	
3. HATCH SURFACES ✓			DIAGRAM, LOGIC COMPUTER	
4. ALL DIM. IN INCHES				
MODEL NO.	920	SIZE	DWG. NO.	A
NEXT ASBY.		SCALE	DO NOT SCALE DRAWING	SHEET

REVISIONS		101701		A
REV	DESCRIPTION	CHK	DATE	APPROVED
A	RELEASED TO MFG		1/13	

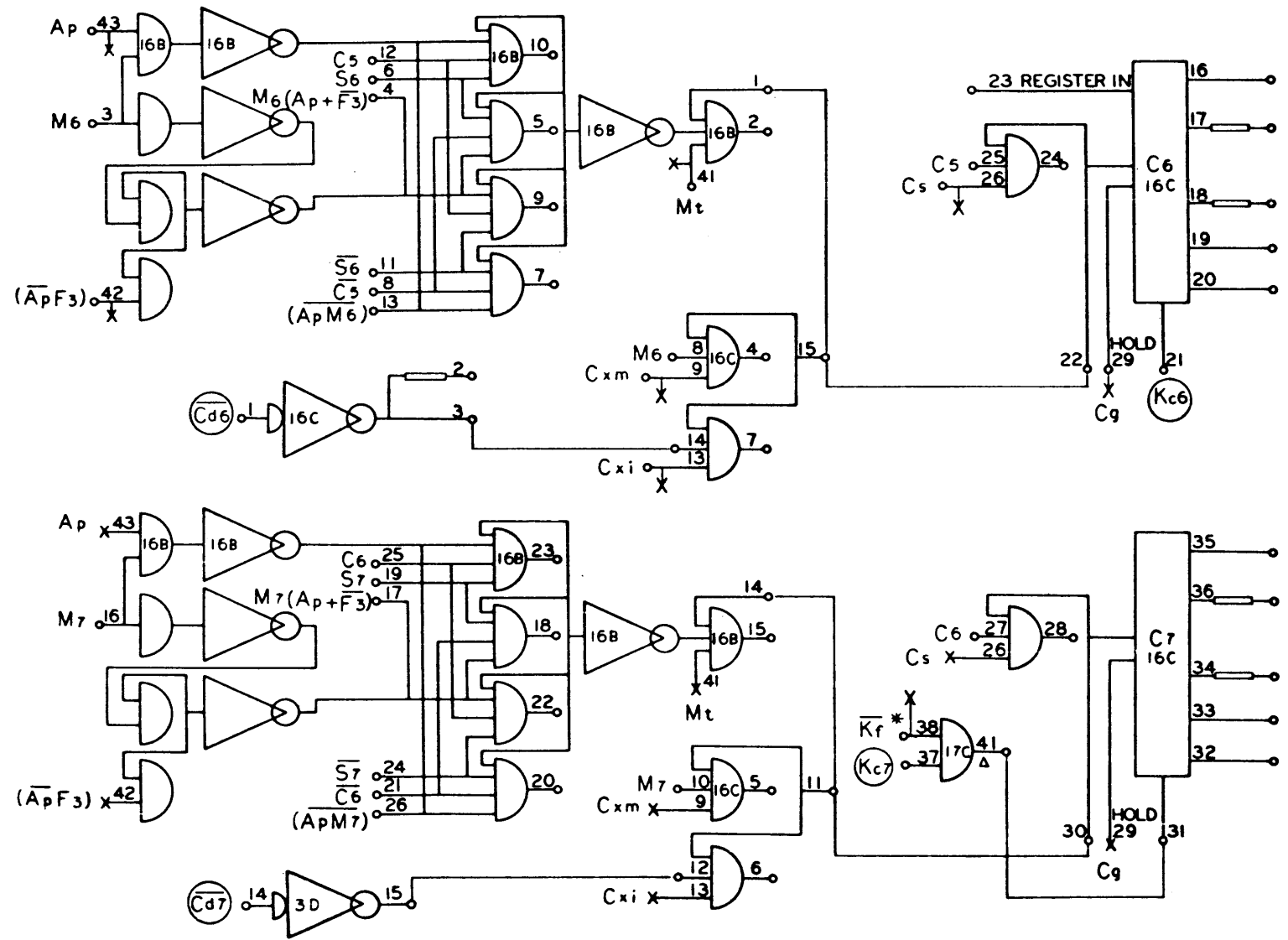


920
Page 72

NO. REQ	DRAWING NO.	DESCRIPTION	REFERENCE DESIGNATION	ITEM NO.
NOTES UNLESS SPECIFIED				
1. TOLERANCES XX ± 0.00 ANGLULAR XXX ± 0.10 2 1/2"				
2. BREAK ALL SHARP EDGES .010 APPROX				
3. MACH SURFACES ✓				
4. ALL DIM. IN INCHES				
DRAWN		CHECK	DATE	
APPR		DATE		TITLE
MODEL NO.		SIZE	DWG NO.	A
NEXT ASSY.		D	101701	A
SCALE		DO NOT SCALE DRAWING		SHEET

101701 (A)

REVISIONS				101701	A
REV	DESCRIPTION	CHK	DATE	APPROVED	
A	RELEASED TO MFG				

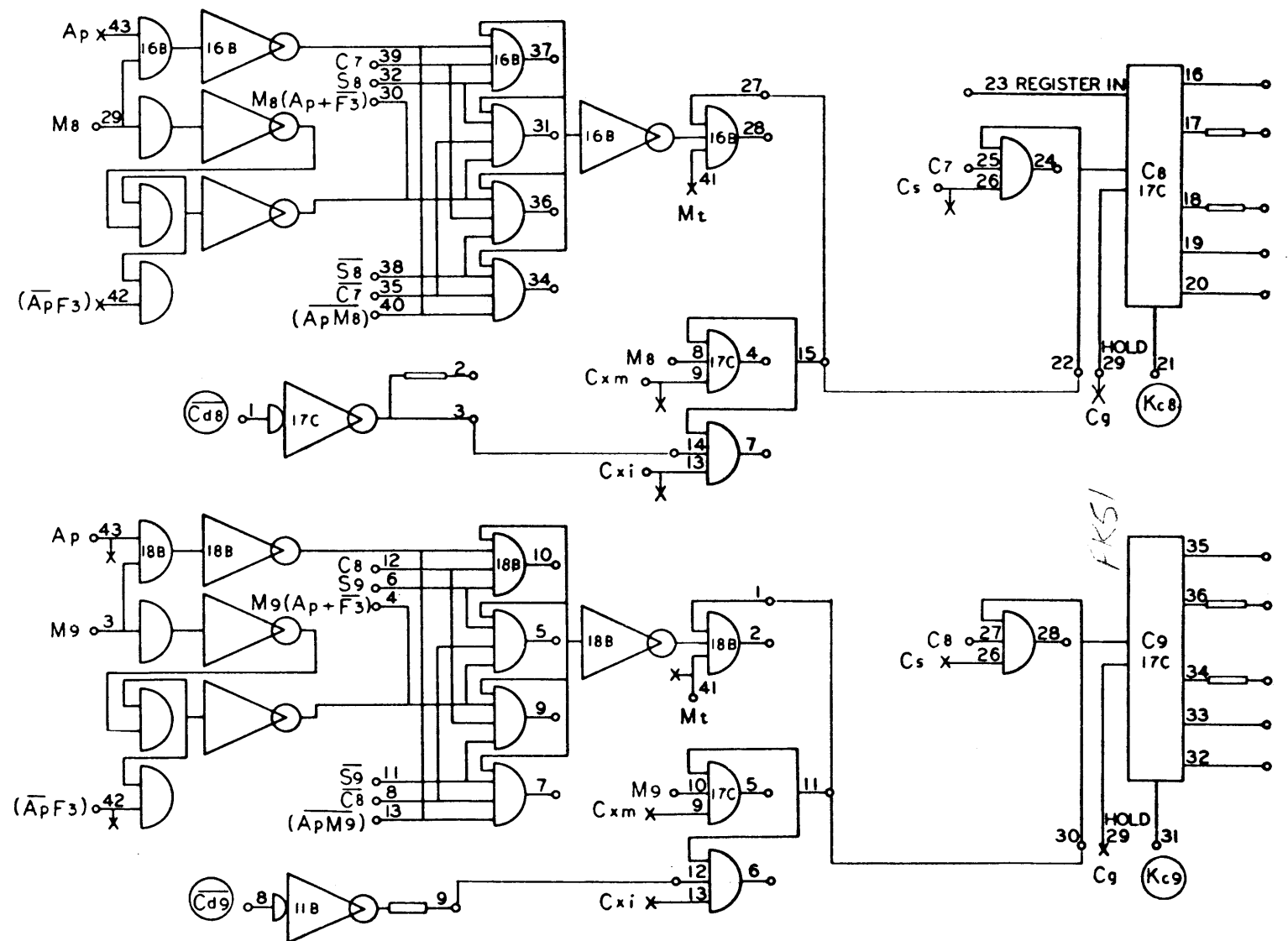


920
Page 73

NO. REQ	DRAWING NO.	DESCRIPTION	REFERENCE DESIGNATION	ITEM NO.
MATERIAL LIST				
NOTES UNLESS SPECIFIED 1. TOLERANCES .XX ± .005 ANGULAR .XXX ± .010 2. BREAK ALL SHARP EDGES .010 APPROX. 3. HATCH SURFACES 4. ALL DIM. IN INCHES				
DRAWN		CHECK	SDS SCIENTIFIC DATA SYSTEMS 1745 FIFTEENTH STREET, SANTA MONICA, CALIFORNIA	
APPR		TITLE		
		DIAGRAM, LOGIC COMPUTER		
MODEL NO.		SIZE	DWG NO.	ITEM
920		D	101701	A
NEXT ASSY.		SCALE	DO NOT SCALE DRAWING	SHEET

101701 | A |

REVISIONS				101701	A
REV	DESCRIPTION	CHK	DATE	APPROVED	
A	RELEASED TO MFG	<i>Ld</i>	1/13	<i>J. S. G.</i>	

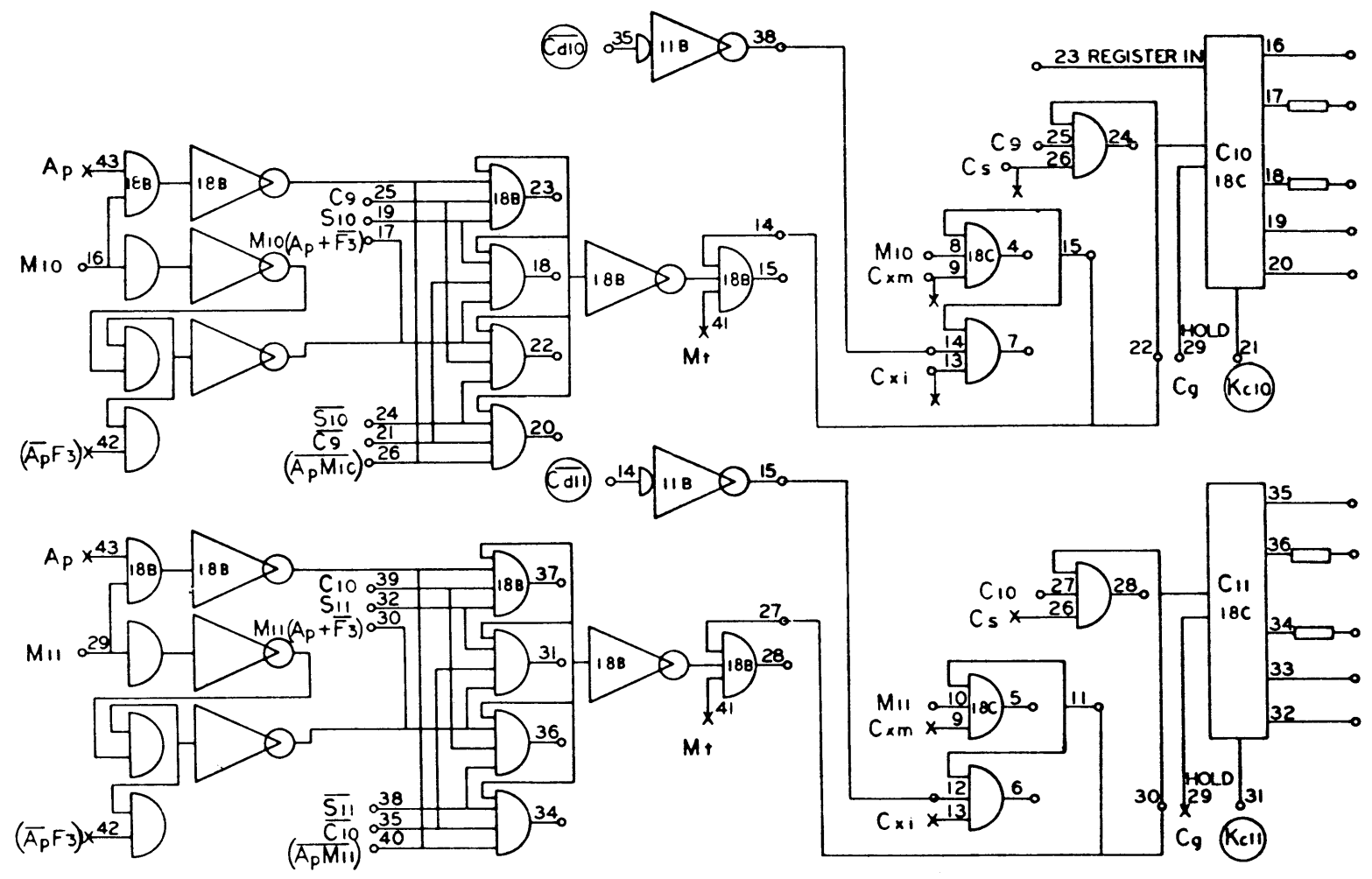


920
Page 74

NO. REQ	DRAWING NO.	DESCRIPTION	REFERENCE DESIGNATION	ITEM NO.
MATERIAL LIST				
NOTES UNLESS SPECIFIED		DRAWN	CHECK	APPR
1. TOLERANCES XX ± 0.00 ANGULAR X.XX ± 0.10		<i>Ld</i>	<i>u/s/w</i>	<i>u/s/w</i>
2. BREAK ALL SHARP EDGES Ø10 APPROP		TITLE		
3. BREAK SURFACES ✓		SDS SCIENTIFIC DATA SYSTEMS 1542 FIFTEENTH STREET, SANTA MONICA, CALIFORNIA DIAGRAM, LOGIC COMPUTER		
4. ALL DIM. IN INCHES				
MODEL NO.	920	SIZE	DWG NO.	A
NEXT ASSY.		D	101701	
SCALE		DO NOT SCALE DRAWING		SHEET

101701 | A |

REVISIONS		101701		A
REV	DESCRIPTION	CHK	DATE	APPROVED
A	RELEASED TO MFG			

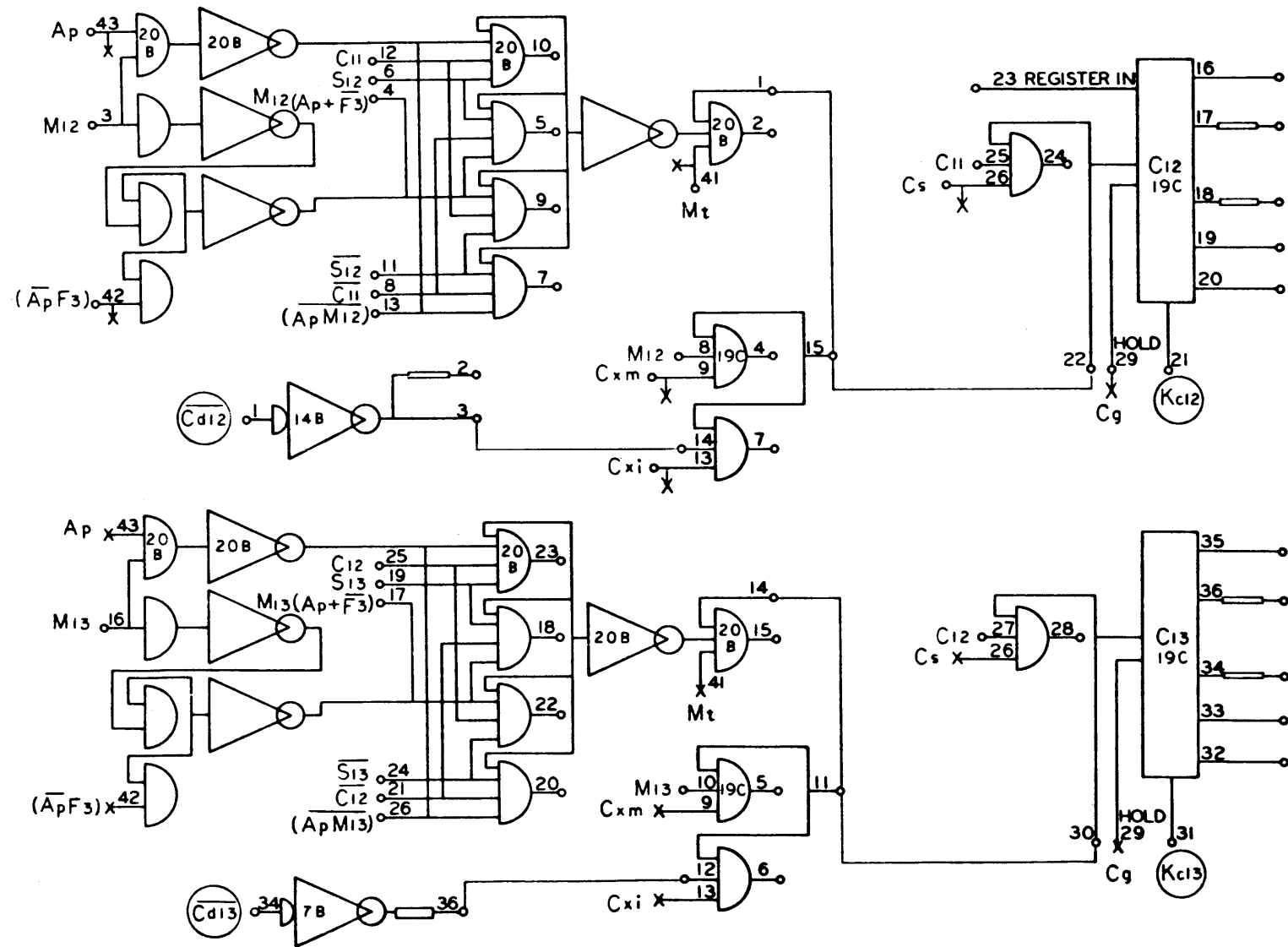


920
Page 75

101701 | A |

NO. REV.	DRAWING NO.	DESCRIPTION	REFERENCE DESIGNATION	ITEM NO.
MATERIAL LIST				
NOTES UNLESS SPECIFIED		DRAWN	SDS SCIENTIFIC DATA SYSTEMS	
1. TOLERANCES XX ± .000 ANGULAR SEE 1.910 ± .01		CHECK	1845 FIFTEENTH STREET SANTA MONICA, CALIFORNIA	
2. BREAK ALL SHARP EDGES .010 APPROX		APPR	TITLE	
3. HATCH SURFACES ✓			DIAGRAM, LOGIC COMPUTER	
4. ALL DIM. IN INCHES				
MODEL NO.	920	SIZE	DWS NO.	A
NEXT ASSY.		SCALE	DO NOT SCALE DRAWING	SHEET

REVISIONS				101701	A
REV	DESCRIPTION	CHK	DATE	APPROVED	
A	RELEASED TO MFG		1/13		

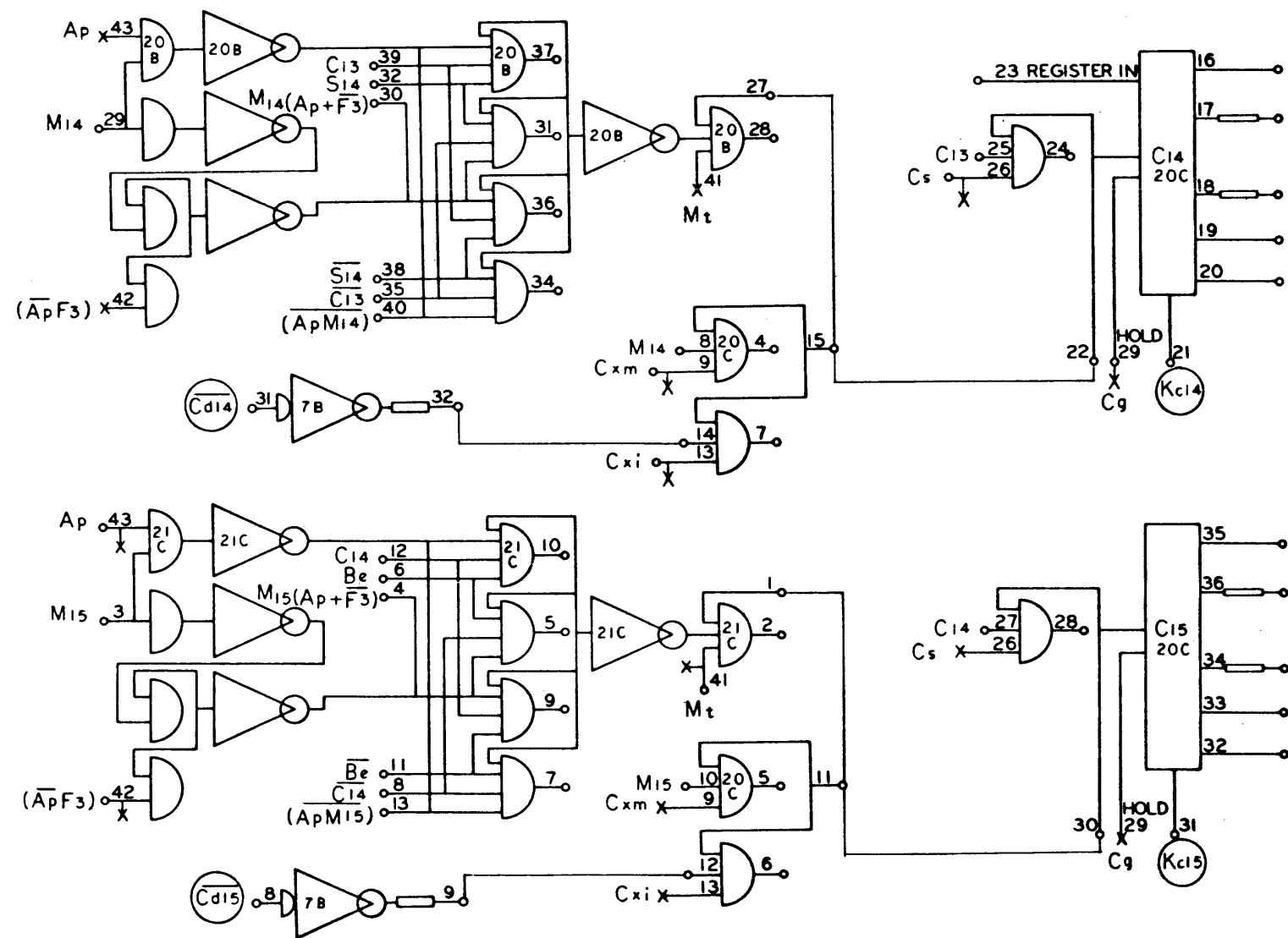


920
Page 76

NO. REQ.	DRAWING NO.	DESCRIPTION	REFERENCE DESIGNATION	ITEM NO.
MATERIAL LIST				
NOTES UNLESS SPECIFIED		DRAWN	SDS SCIENTIFIC DATA SYSTEMS 1542 FIFTEENTH STREET SANTA MONICA, CALIFORNIA	
1. TOLERANCES XX ± .000 ANGULAR XXX ± .010 2. BREAK ALL SHARP EDGES 3. HATCH SURFACES 4. ALL DIM. IN INCHES		CHECK		
		APPR	DIAGRAM, LOGIC COMPUTER	
MODEL NO.	920	SIZE	DWG NO.	A
NEXT ASSY.		SCALE	DO NOT SCALE DRAWING	SHEET

101701 (A)

REVISIONS				101701	A
REV	DESCRIPTION	CHK	DATE	APPROVED	
A	RELEASED TO MFG		2/4/62		



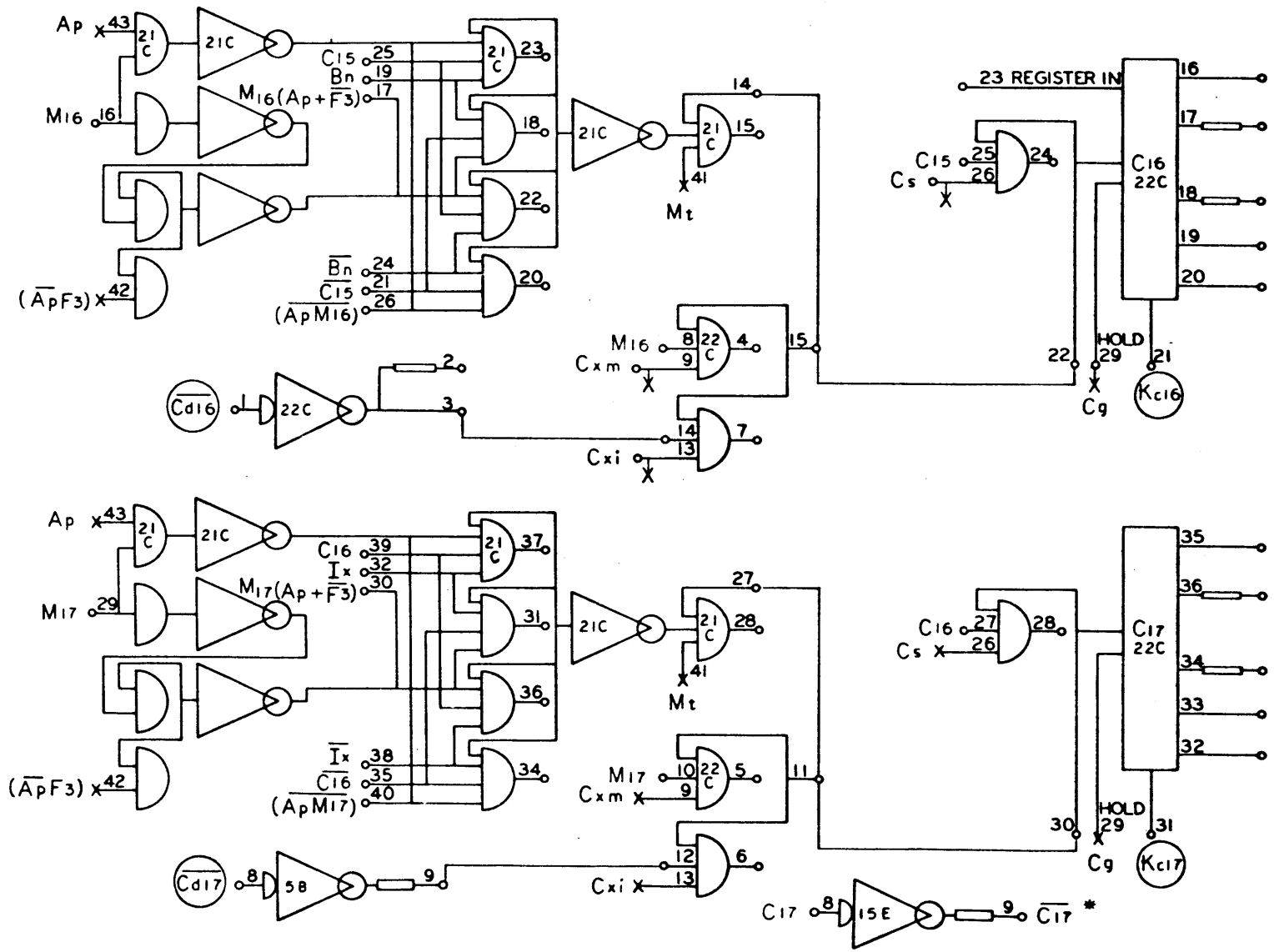
101701 | A |

NO. REG.	DRAWING NO.	DESCRIPTION	REFERENCE DESIGNATION	ITEM NO.
MATERIAL LIST				
NOTES UNLESS SPECIFIED		DRAWN	CHECK	APPR.
1. TOLERANCES XX ± 0.005 ANGULAR XXX ± 0.010		<i>JH</i>	<i>W/S/62</i>	<i>W/S/62</i>
2. BREAK ALL SHARP EDGES 0.10 APPROX.				
3. HATCH SURFACES <input checked="" type="checkbox"/>				
4. ALL DIM. IN DECIMALS				
MODEL NO. 920		SIZE D		DWG. NO. 101701
NEXT ASSY.		SCALE DO NOT SCALE DRAWING		SHEET A

SDS SCIENTIFIC DATA SYSTEMS
1545 FIFTEENTH STREET, SANTA MONICA, CALIFORNIA

TITLE
DIAGRAM, LOGIC COMPUTER

REV		REVISIONS			101701	A
NO	DESCRIPTION	CHK	DATE	APPROVED		
A	RELEASED TO MFG					

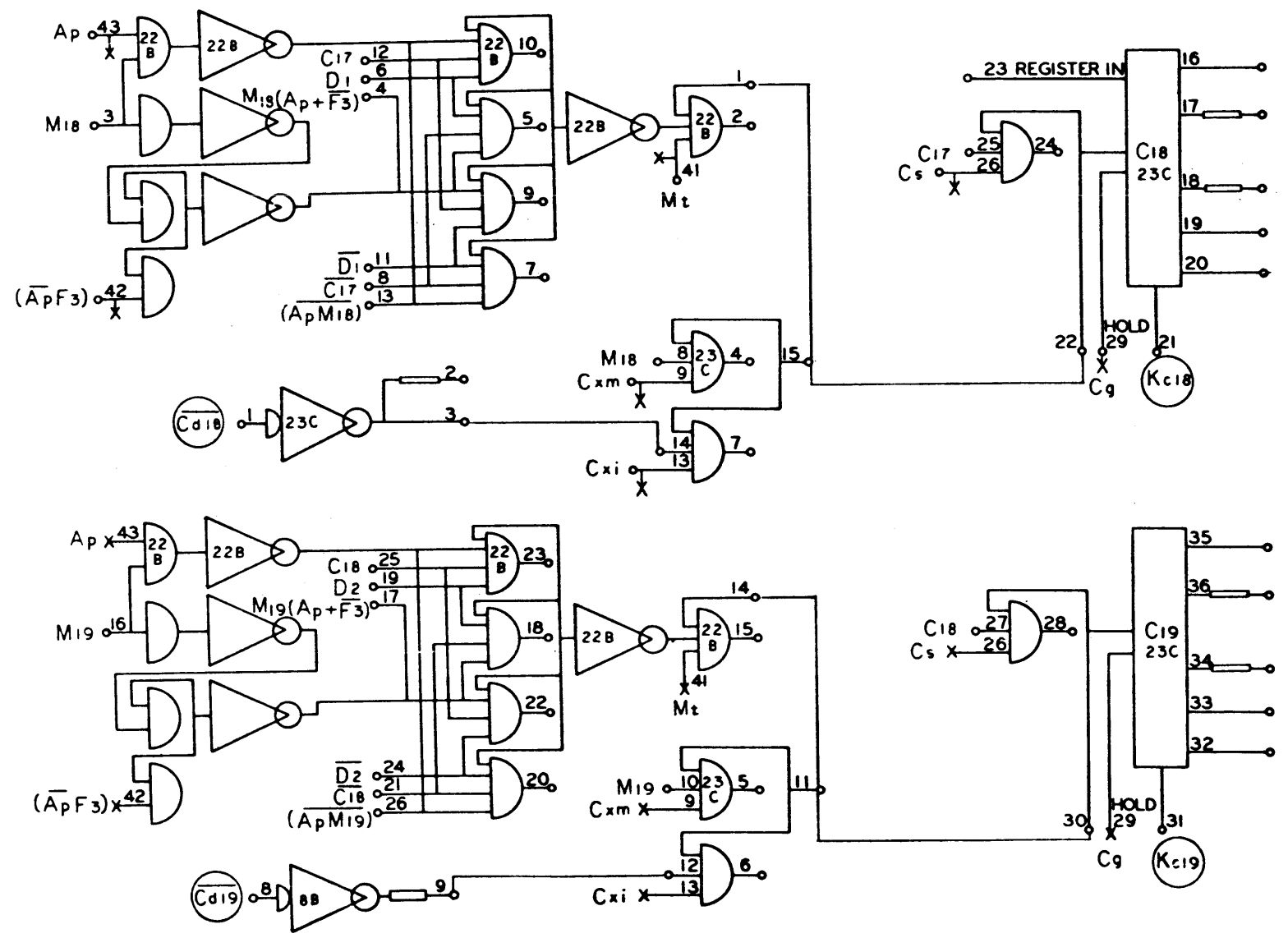


920
Page 78

NO. REQ.	DRAWING NO.	DESCRIPTION	REFERENCE DESIGNATION	ITEM NO.
NOTES UNLESS SPECIFIED				
1. TOLERANCES		ANGULAR	CHECK	
2. BREAK ALL SHARP EDGES		APPR		
3. MACH. SURFACES				
4. ALL DIM. IN INCHES				
SDS SCIENTIFIC DATA SYSTEMS 1745 FIFTEENTH STREET SANTA MONICA, CALIFORNIA				
DIAGRAM, LOGIC COMPUTER				
MODEL NO.	920	SIZE	DWS NO.	A
NEXT ASSY.		SCALE	DO NOT SCALE DRAWING	SHEET

101701 (A)

REV		REVISIONS			101701	A
DESCRIPTION		CHK	DATE	APPROVED		
RELEASED TO MFG						

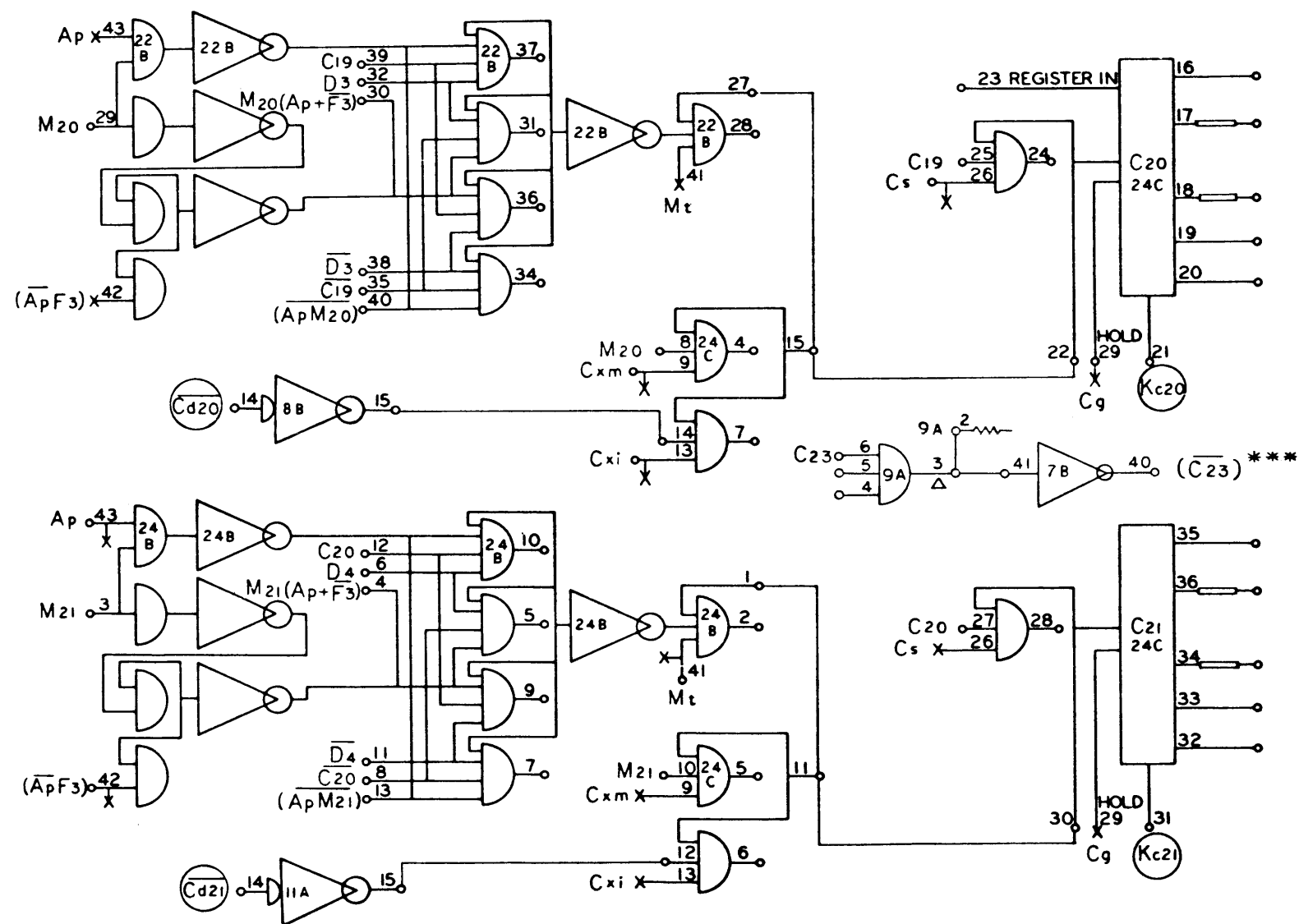


920
Page 79

101701 | A |

NO. REQ.	DRAWING NO.	DESCRIPTION	REFERENCE DESIGNATION	ITEM NO.
MATERIAL LIST				
NOTES UNLESS SPECIFIED: 1. TOLERANCES: .000 ANGULAR ± 15° 2. BREAK ALL SHARP EDGES .010 APPROX. 3. HATCH SURFACES ✓ 4. ALL DIM. IN INCHES				
DRAWN		SDS SCIENTIFIC DATA SYSTEMS 1648 FIFTEENTH STREET, SANTA MONICA, CALIFORNIA		
CHECK		TITLE		
APPR.		920 101701 A		
MODEL NO.		SIZE		DWG. NO.
NEXT ASSY.		D		101701
SCALE		DO NOT SCALE DRAWING		SHEET

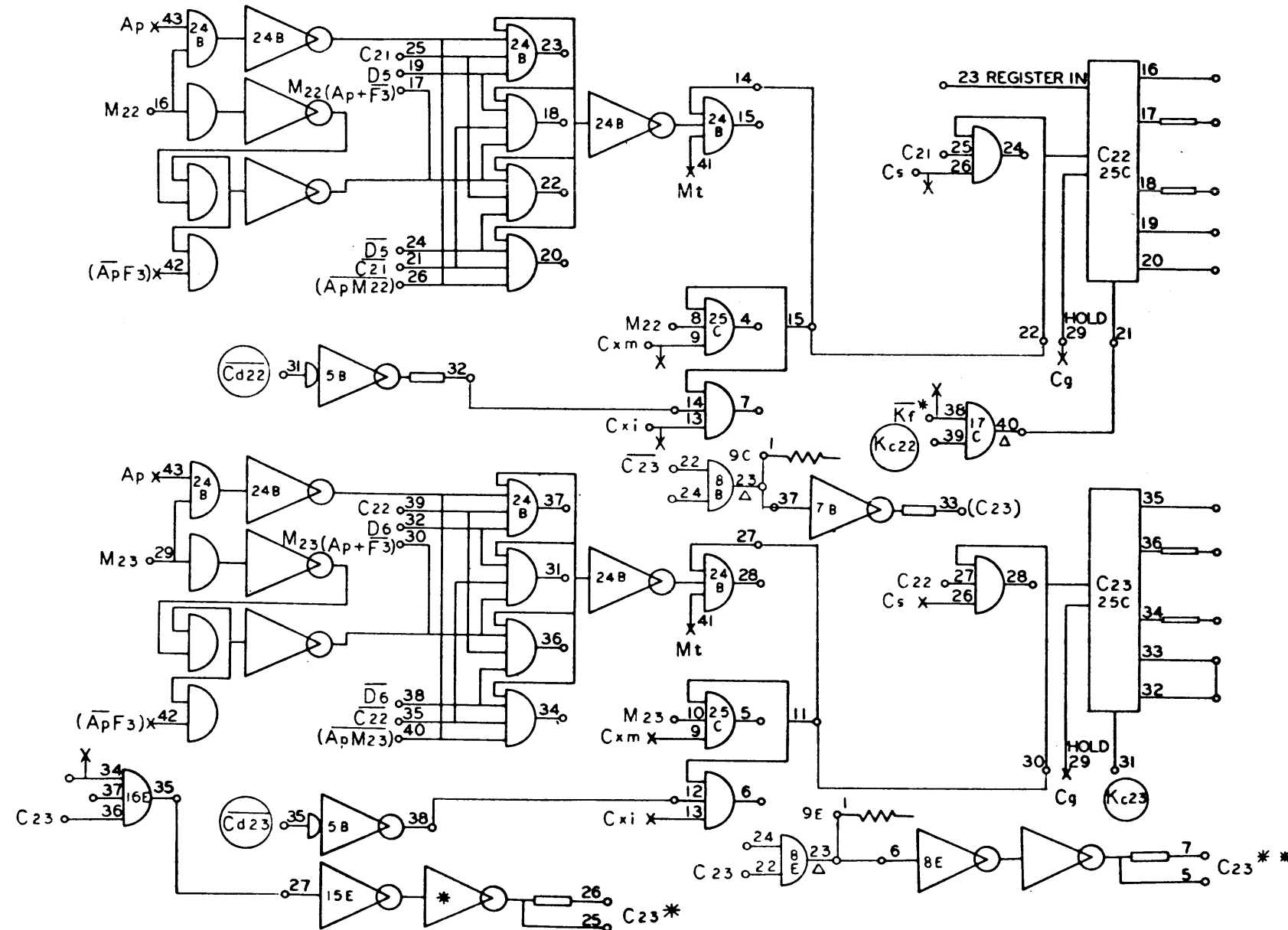
REVISIONS				101701
REV	DESCRIPTION	CHK	DATE	APPROVED
A	RELEASED TO MFG			
D	SEE REV. E.O.		DFY 2/13	
L	SEE REV E0			



920
Page 80
L

NO. REV.	DRAWING NO.	DESCRIPTION	REFERENCE DESIGNATION	ITEM NO.
MATERIAL LIST				
NOTES UNLESS SPECIFIED		CHECK	SDS SCIENTIFIC DATA SYSTEMS 1542 FIFTEENTH STREET SANTA MONICA, CALIFORNIA	
1. TOLERANCES .XX ± .010 ANGULAR .XXX ± .010 2.1°		DRAWN CHECK APPR.	TITLE DIAGRAM, LOGIC COMPUTER	
2. BREAK ALL SHARP EDGES .010 APPROX 3. MACH. SURFACES ✓ 4. ALL DIM. IN INCHES				
MODEL NO.	920	SIZE	D	DWG. NO. 101701
NEXT ASSY.				L
SCALE		DO NOT SCALE DRAWING		SHEET

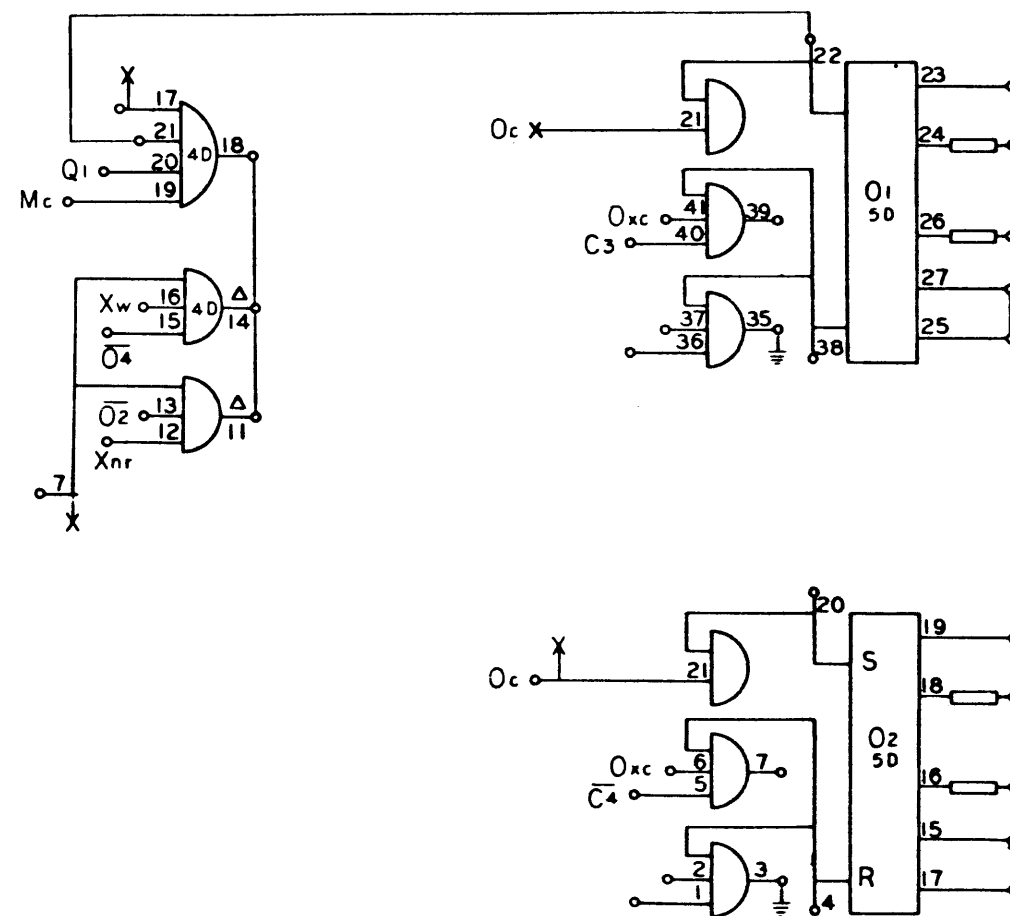
REV		DESCRIPTION		CHK	DATE	APPROVED
A		RELEASED TO MFG			1/13/62	
J		SEE REV E.O.				



NO. REV.	DRAWING NO.	DESCRIPTION	REFERENCE DESIGNATION	ITEM NO.
MATERIAL LIST				
NOTES UNLESS SPECIFIED: 1. DIMENSIONS: .001" ANGULAR .005" DIM. .010" DIM. 2. BREAK ALL SHARP EDGES AND CORNERS. 3. CHECK DIMENSIONS. 4. FILE IN IN DRAWING.				
DRAWN: [Signature] CHECK: [Signature] APPR: [Signature]	SDS SCIENTIFIC DATA SYSTEMS 1542 FIFTEENTH STREET, SANTA MONICA, CALIFORNIA TITLE: DIAGRAM, LOGIC COMPUTER			
MODEL NO. 920	SIZE D	DWG NO. 101701	ITEM NO. J	
SCALE		DO NOT SCALE DRAWING SHEET		

101701 J

REVISIONS				101701	A
REV	DESCRIPTION	CHK	DATE	APPROVED	
A	RELEASED TO MFG				

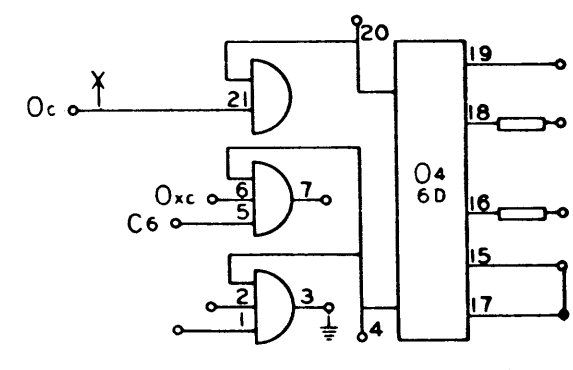
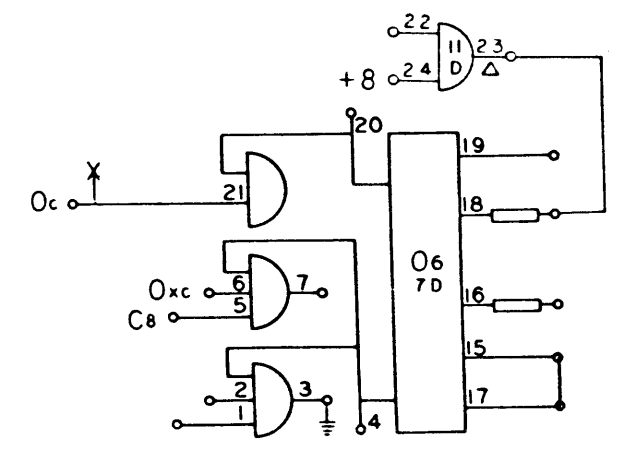
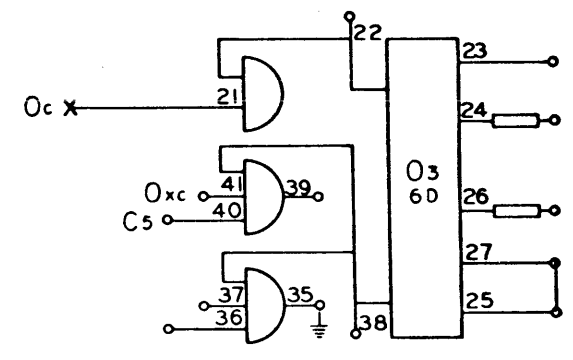
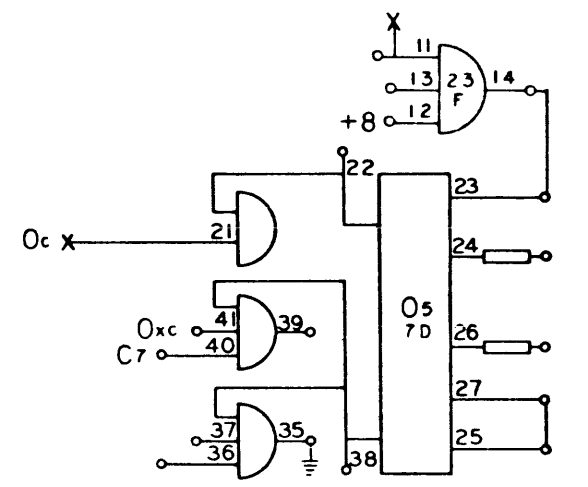


920
Page 82

NO. REQ.	DRAWING NO.	DESCRIPTION	REFERENCE DESIGNATION	ITEM NO.
MATERIAL LIST				
NOTES UNLESS SPECIFIED 1. TOLERANCES XX ± 0.00 ANGLULAR SEE 2.010 ± 1/2" 2. BREAK ALL SHARP EDGES 0.10 APPROX 3. MACH SURFACES ✓ 4. ALL DIM. IN INCHES				
DRAWN		1942 FIFTEENTH STREET SANTA MONICA, CALIFORNIA		
CHECK		TITLE		
APPR		DIAGRAM, LOGIC COMPUTER		
MODEL NO.		Dwg. NO.		ITEM NO.
920		D 101701		A
NEXT ASSY.		SCALE		SHEET
		DO NOT SCALE DRAWING		

101701 | A |

REVISIONS				101701	A
REV	DESCRIPTION	CHE	DATE	APPROVED	
A	RELEASED TO MFG				

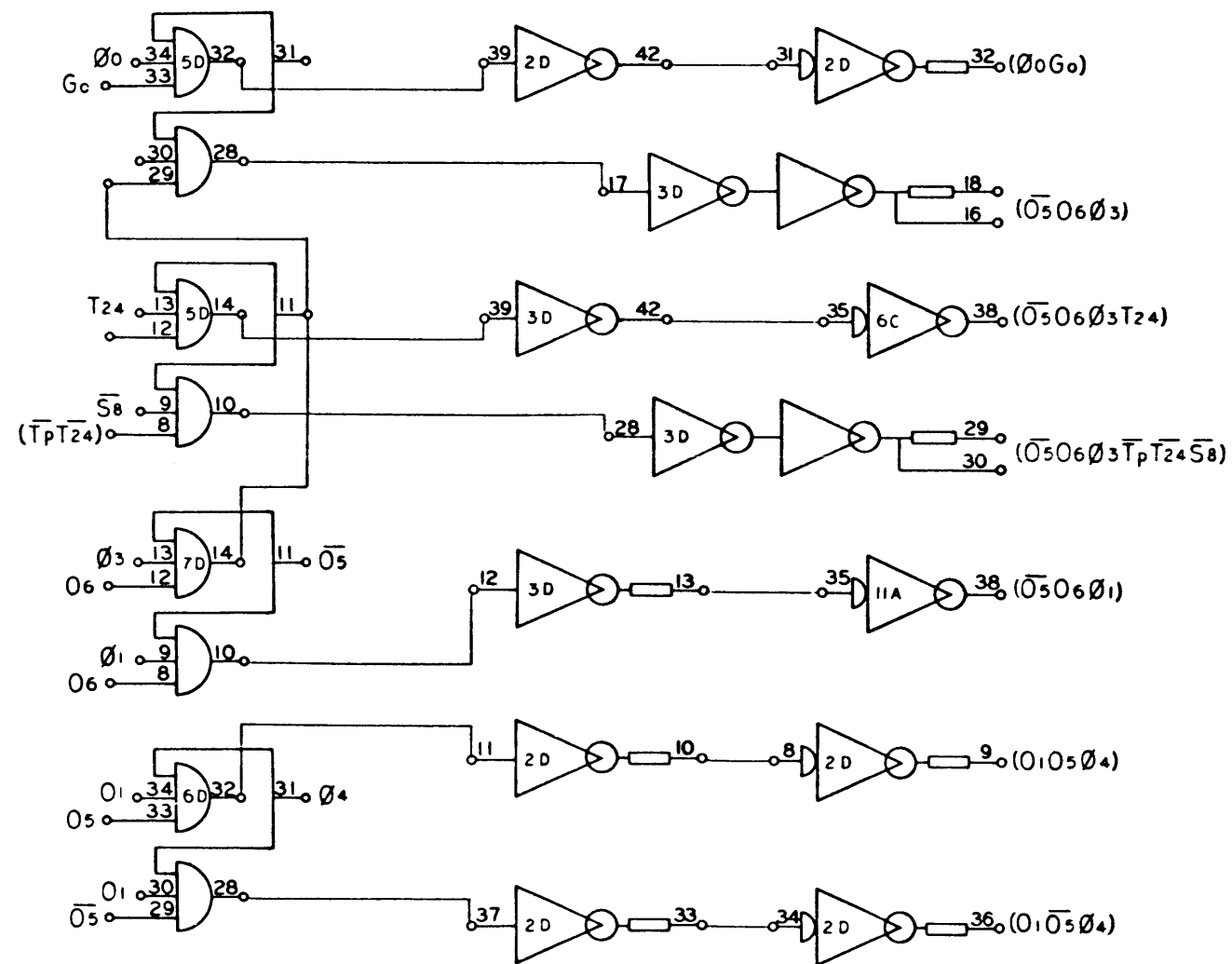


920
Page 83

101701 | A |

NO. REQ.	DRAWING NO.	DESCRIPTION	REFERENCE DESIGNATION	ITEM NO.
MATERIAL LIST				
NOTES UNLESS SPECIFIED 1. TOLERANCES 25 ± .030 ANGULAR REF ± .010 2. BREAK ALL SHARP EDGES .010 APPLIC. 3. MACH. SURFACES ✓ 4. ALL DIM. IN INCHES		DRAWN CHECK APPR.	SDS SCIENTIFIC DATA SYSTEMS 1545 FIFTEENTH STREET SANTA MONICA CALIFORNIA	TITLE DIAGRAM, LOGIC COMPUTER
MODEL NO.	920	SIZE	DWG NO. D 101701	A
NEXT ASSY.		SCALE	DO NOT SCALE DRAWING	SHEET

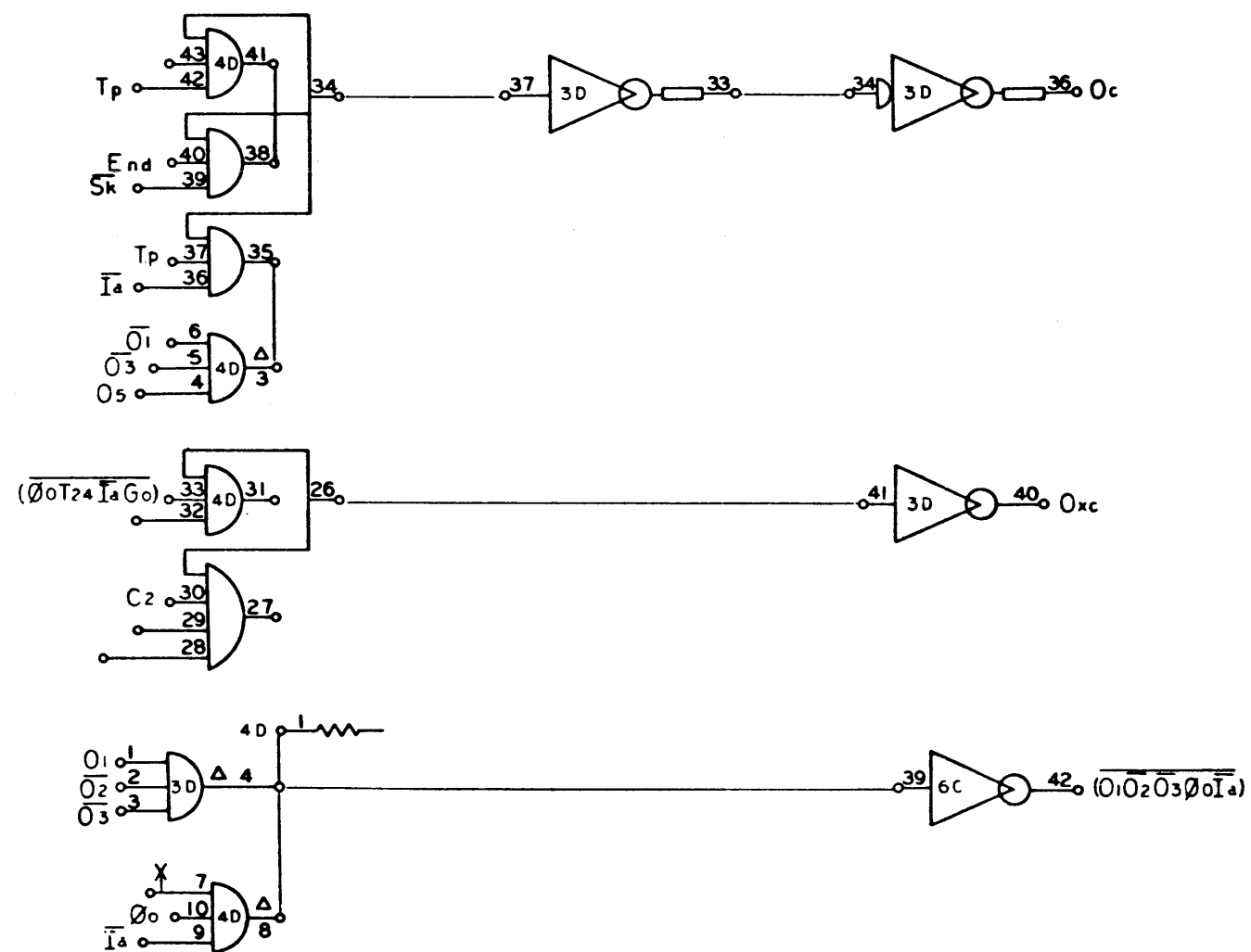
REV		DESCRIPTION		REVISIONS		101701		A	
NO.	DATE	CHK	DATE	CHK	DATE	APPROVED	DATE	CHK	DATE
A									
RELEASED TO MFG									



NO. REQ.	DRAWING NO.	DESCRIPTION	REFERENCE DESIGNATION	ITEM NO.
MATERIAL LIST				
NOTES UNLESS SPECIFIED		DRAWN	SDS SCIENTIFIC DATA SYSTEMS	
1. TOLERANCES XX ± 0.00 ANGULAR XXX ± 0.10 2 1/2°		CHECK	1542 FIFTEENTH STREET SANTA MONICA, CALIFORNIA	
2. BREAK ALL SHARP EDGES BY APPROX.		APPR	TITLE DIAGRAM, LOGIC COMPUTER	
3. MACH. SURFACES ✓				
4. ALL DIM. IN INCHES				
MODEL NO.	920	SIZE	DWS NO.	A
NEXT ASSY.		D	101701	
SCALE		DO NOT SCALE DRAWING		SHEET

101701 (A)

REVISIONS				101701	A
REV	DESCRIPTION	CHR	DATE	APPROVED	
A	RELEASED TO MFG	sd	1/13	[Signature]	

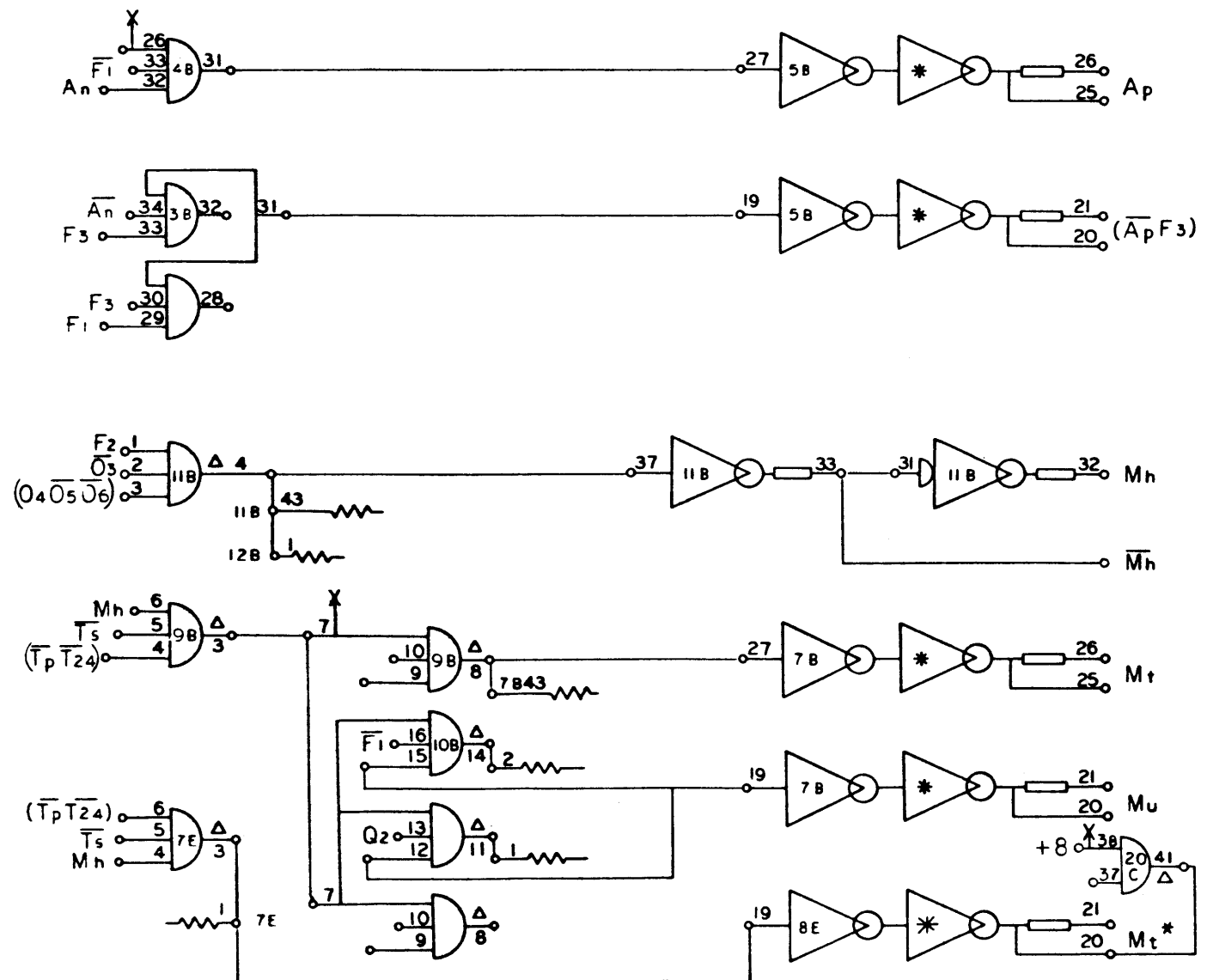


920
Page 85

NO. REV.	DRAWING NO.	DESCRIPTION	REFERENCE DESIGNATION	ITEM NO.
MATERIAL LIST				
NOTES UNLESS SPECIFIED		DRAWN	CHECK	DATE
1. TOLERANCES ALL - 0.005 ANGULAR DIM. - 0.010		[Signature]	[Signature]	1/13/68
2. BREAK ALL SHARP EDGES 0.10 APPROX		APPR	[Signature]	1/13/68
3. MACH SURFACES ✓		SDS SCIENTIFIC DATA SYSTEMS 1542 FIFTEENTH STREET SANTA MONICA CALIFORNIA		
4. ALL DIM IN INCHES				
MODEL NO. 920			SIZE D	DWG NO. 101701
NEXT ASSY			SCALE	SHEET A
			DO NOT SCALE DRAWING	

101701 | A |

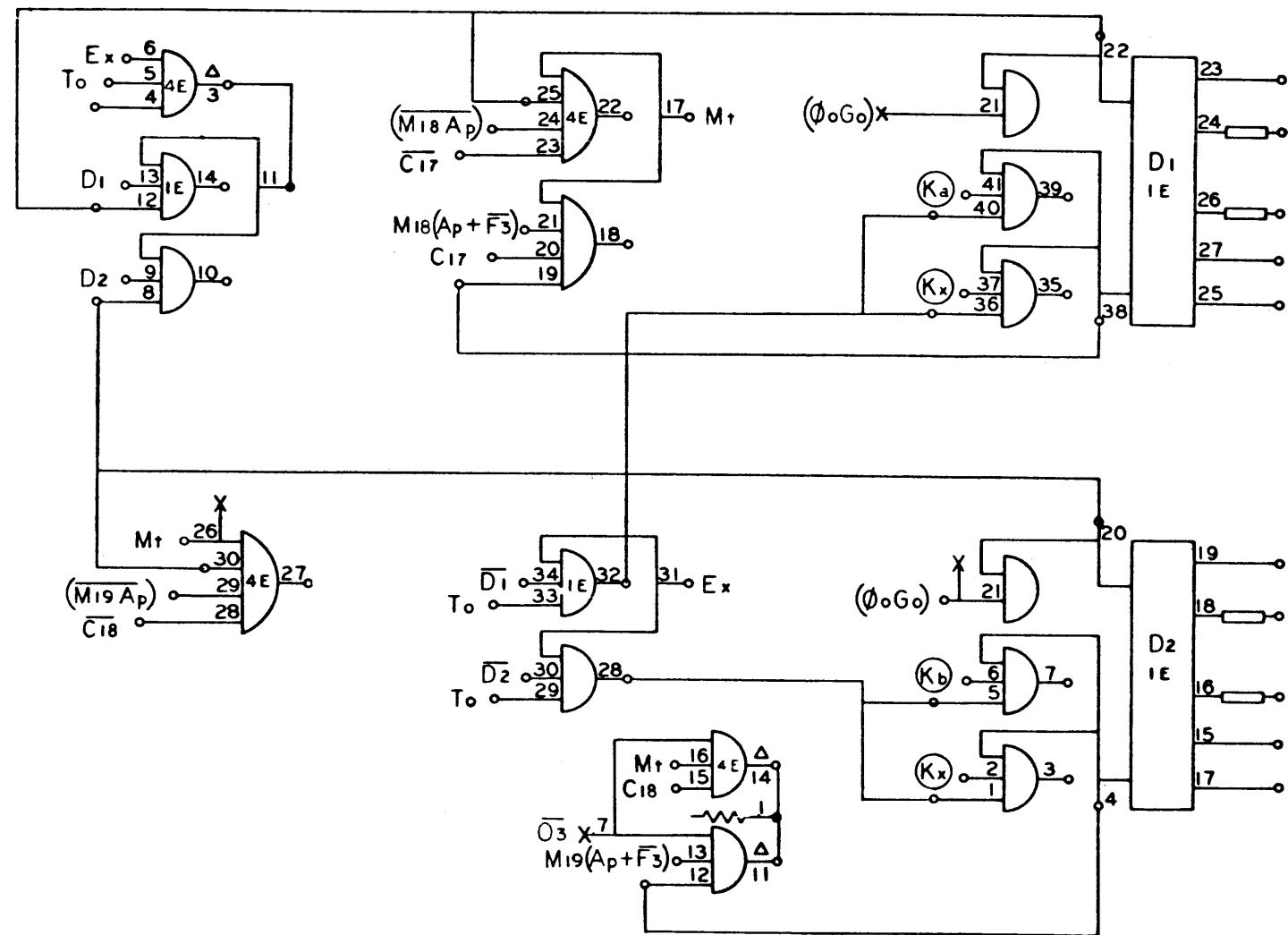
REVISIONS				101701	A
REV	DESCRIPTION	CHK	DATE	APPROVED	
A	RELEASED TO MFG				



NO. REV	DRAWING NO.	DESCRIPTION	REFERENCE DESIGNATION	ITEM NO.
NOTES UNLESS SPECIFIED				
1. TOLERANCES	DRAWN			
.001 = .001	CHECK			
.002 = .002	APPR.			
.005 = .005				
2. BREAK ALL SHARP EDGES				
3. HORN APPROX.				
4. MACH. SURFACES				
5. ALL DIM. IN INCHES				
MATERIAL LIST				
1942 FIFTEENTH STREET, SANTA MONICA, CALIFORNIA				
TITLE				
DIAGRAM, LOGIC COMPUTER				
MODEL NO.	920	SIZE	DWG NO.	A
NEXT ASSY.		D	101701	
SCALE DO NOT SCALE DRAWING SHEET				

101701

REVISIONS				101701	A
REV	DESCRIPTION	CHE	DATE	APPROVED	
A	RELEASED TO MFG		11/12		

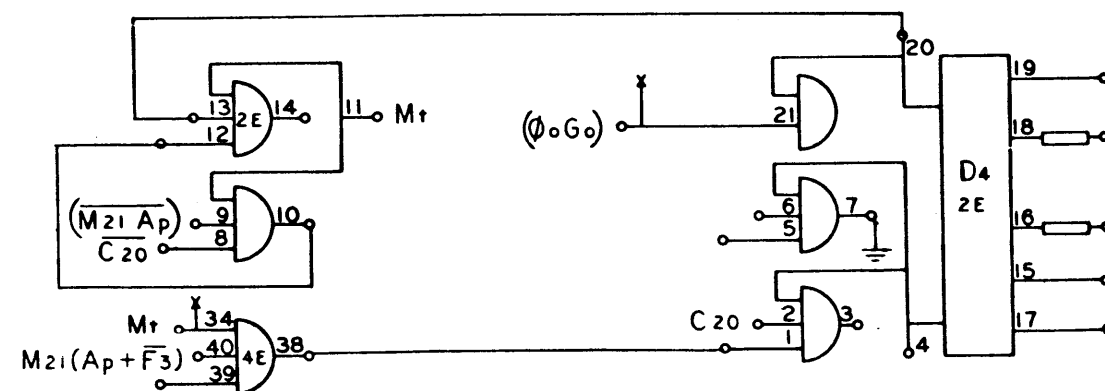
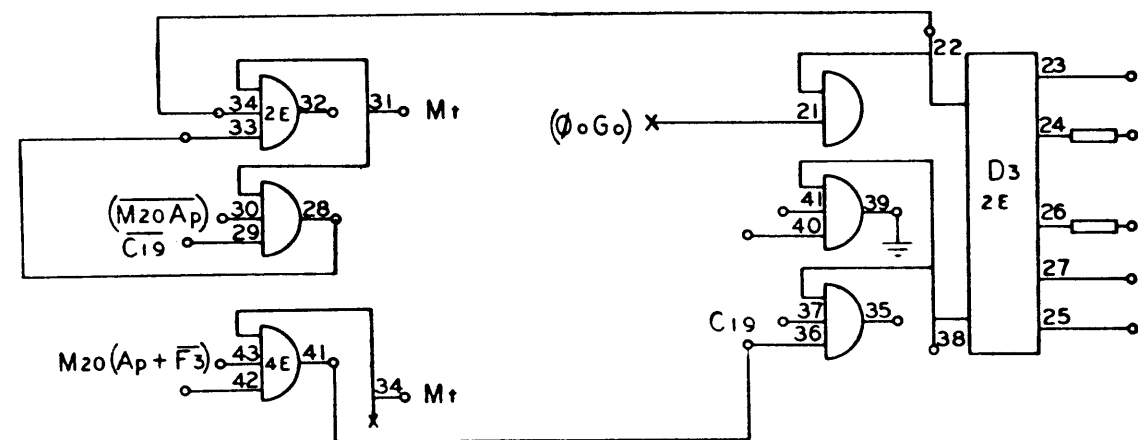


920
Page 87

NO. REQ.	DRAWING NO.	DESCRIPTION	REFERENCE DESIGNATION	ITEM NO.	
MATERIAL LIST					
NOTES UNLESS SPECIFIED		DRAWN	<div style="text-align: center;"> <p>1542 FIFTEENTH STREET SANTA MONICA, CALIFORNIA</p> </div>		
1. TOLERANCES XX - DIM SEE 2.018		CHECK			
2. BREAK ALL SHARP EDGES .015 APPROX		APPR			
3. MACH SURFACES ✓			DIAGRAM, LOGIC COMPUTER		
4. ALL DIM. IN INCHES					
MODEL NO. 920		SCALE	SIZE D	DWG NO. 101701	A
NEXT ASSY.		DO NOT SCALE DRAWING	SHEET		

101701 | A |

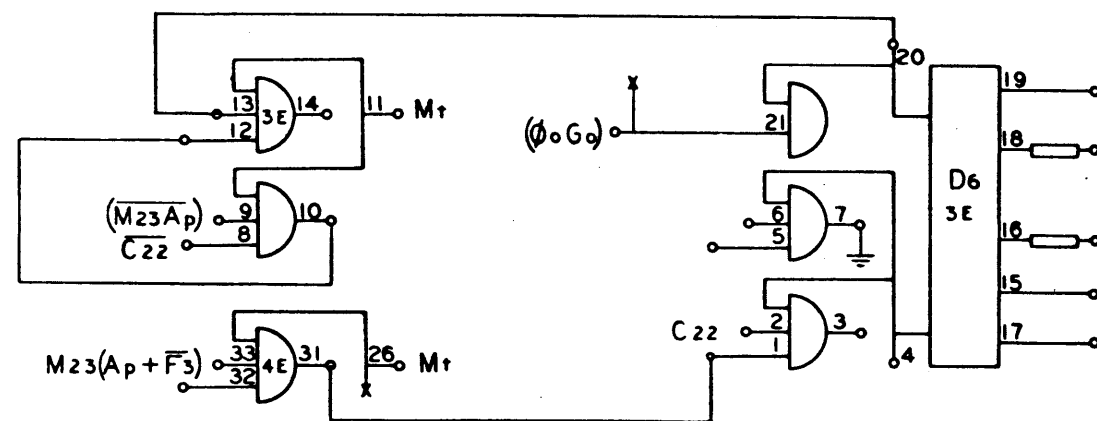
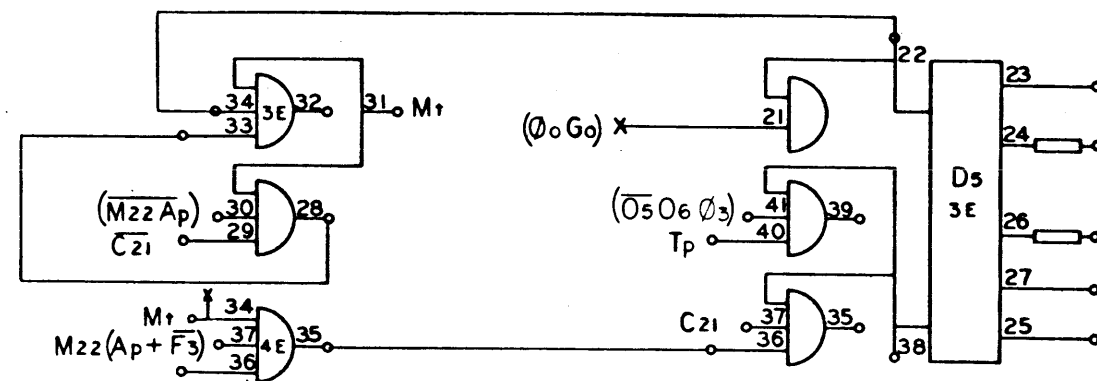
REV		DESCRIPTION		CHK	DATE	APPROVED
A		RELEASED TO MFG				



920
Page 88

NO. REQ	DRAWING NO.	DESCRIPTION	REFERENCE DESIGNATION	ITEM NO.
MATERIAL LIST				
NOTES UNLESS SPECIFIED		DRAWN	SDS SCIENTIFIC DATA SYSTEMS 1822 FIFTEENTH STREET SANTA MONICA, CALIFORNIA	
1. TOLERANCES .125 ± .005 ANGULAR .005 ± .010 ± 1/2°		CHECK		
2. BREAK ALL SHARP EDGES .010 APPROX 3. HATCH SURFACES ✓ 4. ALL DIM. IN INCHES		APPR.		
			TITLE DIAGRAM, LOGIC COMPUTER	
MODEL NO.	920	SIZE	DWS NO.	A
NEXT ASSY.		SCALE	DO NOT SCALE DRAWING	SHEET

REVISIONS				101701	B
REV	DESCRIPTION	CHK	DATE	APPROVED	
A	RELEASED TO MFG		1/13		
B	SEE REV. E.O.		1/13		

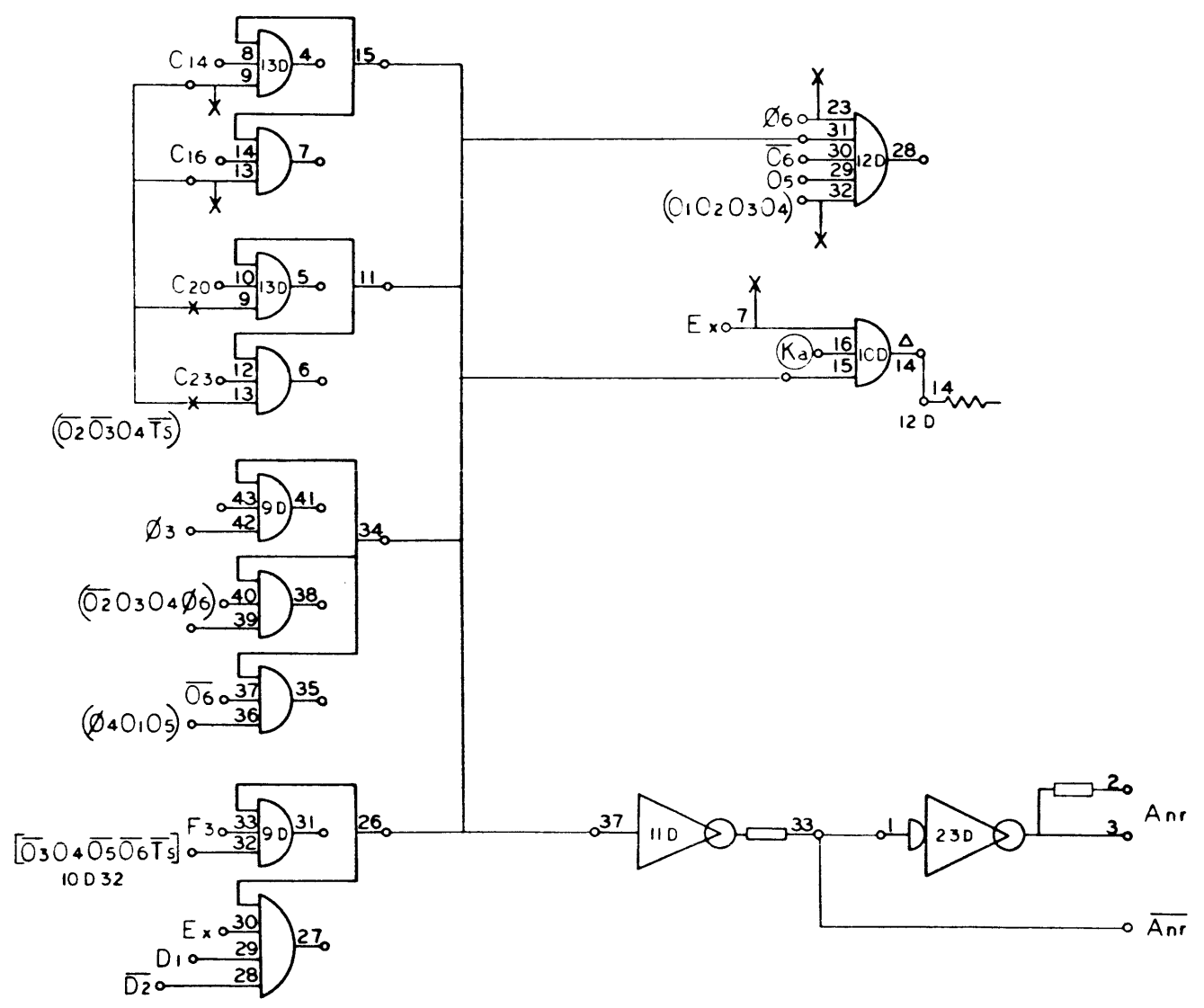


920
Page 89
B

NO. RES	DRAWING NO.	DESCRIPTION	REFERENCE DESIGNATION	ITEM NO.
MATERIAL LIST				
NOTES UNLESS SPECIFIED		DRAWN	SDS SCIENTIFIC DATA SYSTEMS 1545 FIFTEENTH STREET SANTA MONICA CALIFORNIA	
1. TOLERANCES DIM ±.000 ANGULAR SEE 2.010 ±15°		CHECK	TITLE	
2. BREAK ALL SHARP EDGES AS SHOWN		APPR.	DIAGRAM, LOGIC COMPUTER	
3. MACH. SURFACES ✓				
4. ALL DIM. IN INCHES				
MODEL NO.	920	SIZE	DWG NO.	B
NEXT ASSY.			D 101701	
SCALE		DO NOT SCALE DRAWING		SHEET

101701 | B |

REVISIONS				101701	A
REV	DESCRIPTION	CHK	DATE	APPROVED	
A	RELEASED TO MFG				

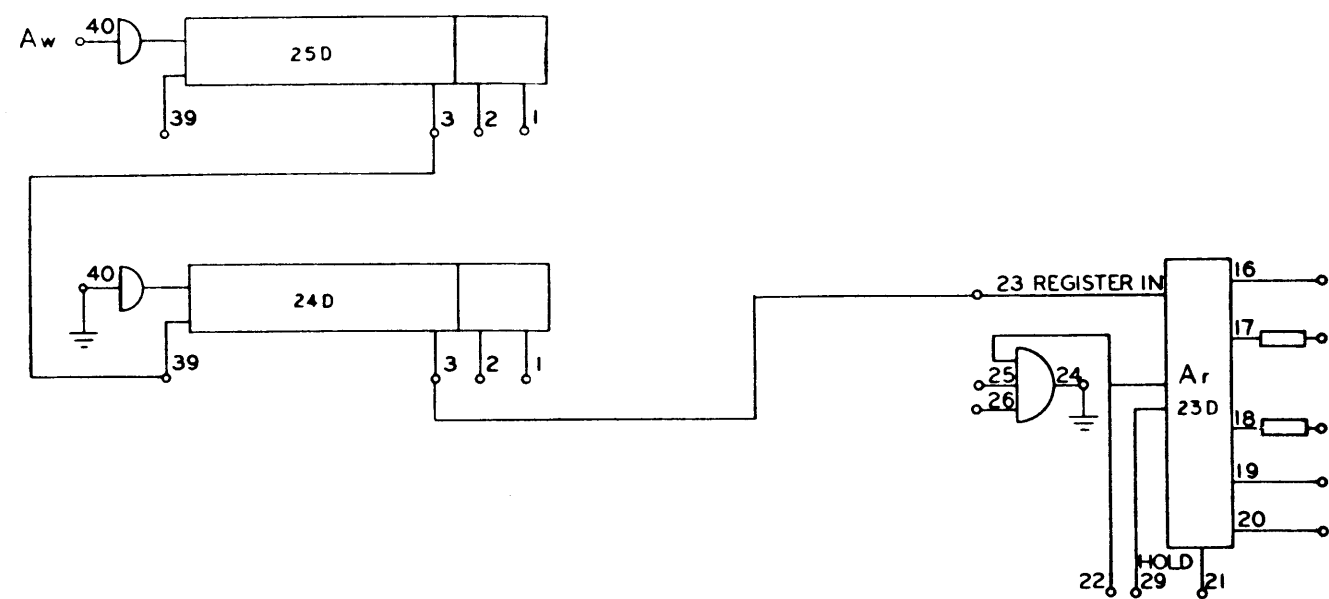


920
Page 90

NO. REQ.	DRAWING NO.	DESCRIPTION	REFERENCE DESIGNATION	ITEM NO.
MATERIAL LIST				
NOTES UNLESS SPECIFIED		DRAWN	CHECK	APPR
1. TOLERANCES XX ± .000 ANGULAR XXX ± .010 2.5° 2. BREAK ALL SHARP EDGES 3. DIM APPROX 4. MACH SURFACES ✓ 5. ALL DIM IN INCHES				
MODEL NO. 920 NEXT ASSY.			TITLE DIAGRAM, LOGIC COMPUTER	SIZE D
DWG NO. 101701			SHEET A	
SCALE			DO NOT SCALE DRAWING	

101701 | A |

REVISIONS				101701	A
REV	DESCRIPTION	CHK	DATE	APPROVED	
A	RELEASED TO MFG				

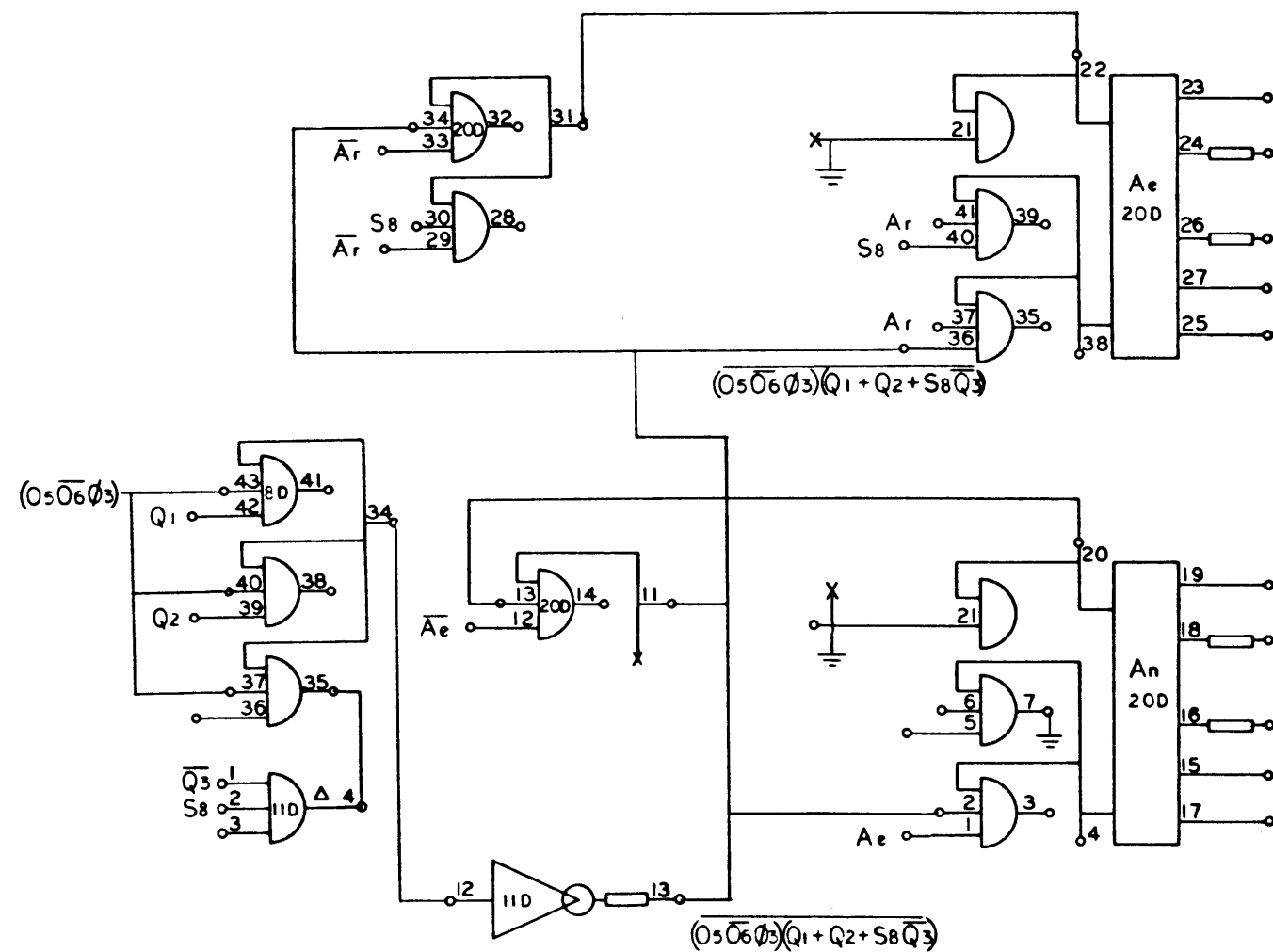


920
Page 91

NO. REQ.	DRAWING NO.	DESCRIPTION	REFERENCE DESIGNATION	ITEM NO.
MATERIAL LIST				
NOTES UNLESS SPECIFIED		DRAWN	 1925 FIFTEENTH STREET SANTA MONICA CALIFORNIA	
1. TOLERANCES XX ± 0.00 ANGULAR SEE 2. DIMS ± 0.1°		CHECK		
2. BREAK ALL SHARP EDGES Ø10 APPROX ✓		APPR	TITLE DIAGRAM, LOGIC COMPUTER	
3. MACH SURFACES ✓				
4. ALL DIMS IN INCHES				
MODEL NO.		SIZE		ITEM NO.
920		D		101701 A
NEXT ASSY		SCALE		SHEET
		DO NOT SCALE DRAWING		

101701 (A)

REVISIONS				101701	
REV	DESCRIPTION	CHK	DATE	APPROVED	
A	RELEASED TO MFG				

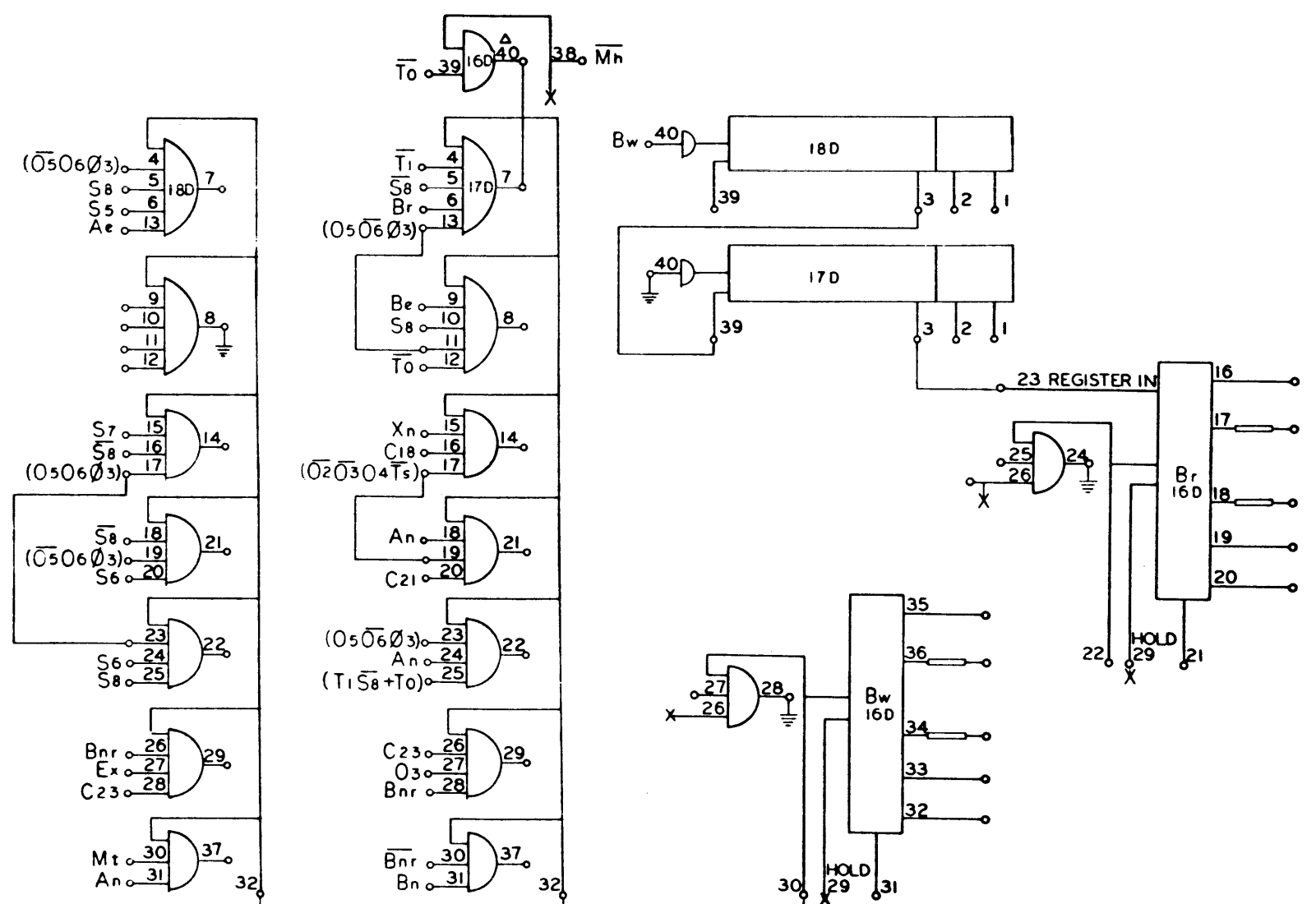


920
Page 93

NO. REQ.	DRAWING NO.	DESCRIPTION	REFERENCE DESIGNATION	ITEM NO.
MATERIAL LIST				
NOTES UNLESS SPECIFIED		DRAWN	CHECK	DATE
1. TOLERANCES XX ± .000 ANGULAR XXX ± .010 2 1/2°		APPR.		
2. BREAK ALL SHARP EDGES .010 APPROX.				
3. MACH. SURFACES ✓				
4. ALL DIM. IN INCHES				
MODEL NO. 920		SDS SCIENTIFIC DATA SYSTEMS 1942 FIFTEENTH STREET SANTA MONICA CALIFORNIA		TITLE DIAGRAM, LOGIC COMPUTER
NEXT ASSY.		SIZE D	DWG NO. 101701	SHEET A
SCALE		DO NOT SCALE DRAWING		SHEET

101701 (A)

REVISIONS				101701	A
REV	DESCRIPTION	CHK	DATE	APPROVED	
A	RELEASED TO MFG	JW	1/3	JW	



920
Page 94

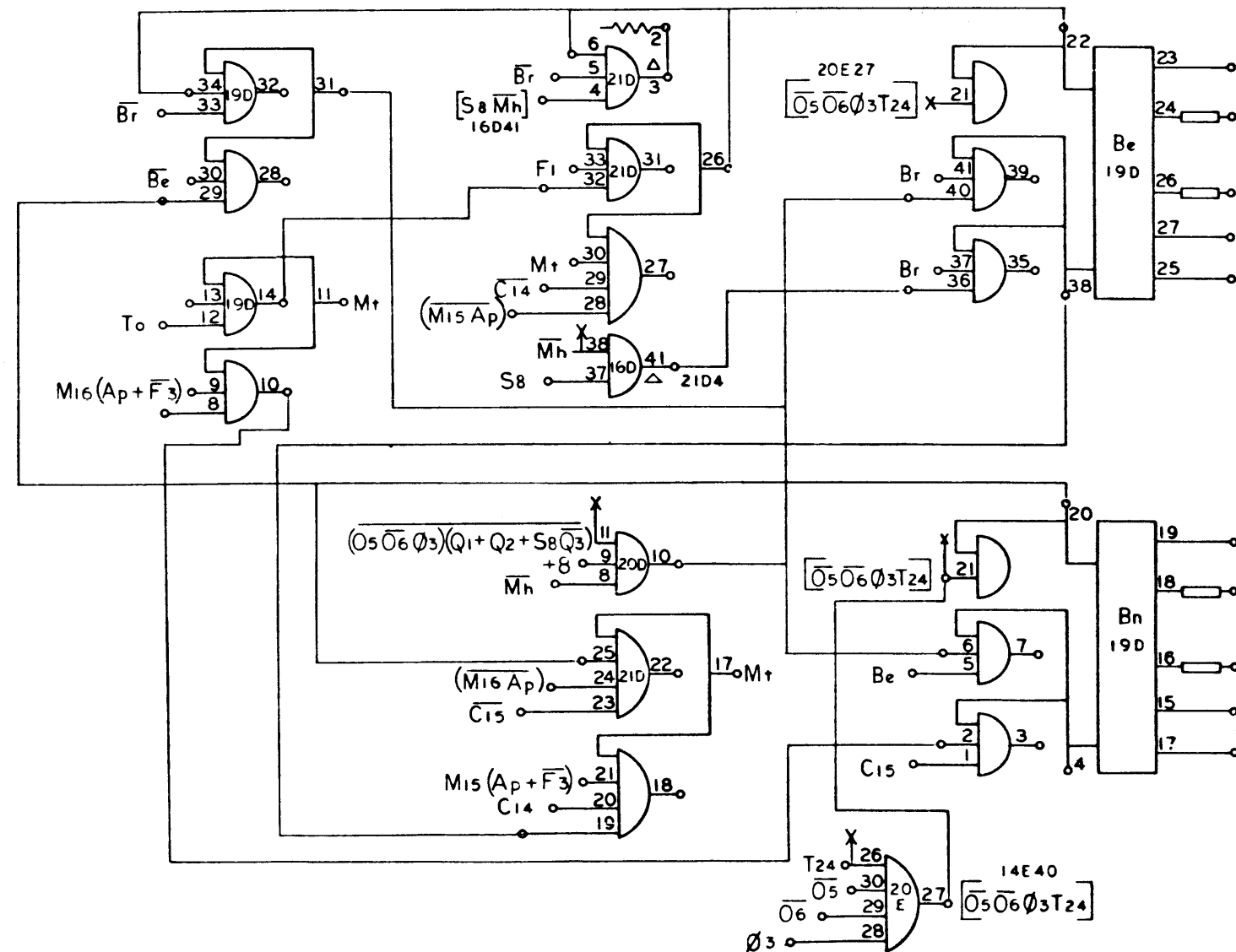
101701 | A |

NO. REV.	DRAWING NO.	DESCRIPTION	REFERENCE DESIGNATION	ITEM NO.
MATERIAL LIST				
NOTES UNLESS SPECIFIED		DRAWN	CHECK	DATE
1. TOLERANCES AS ± 0.005 ANGULAR AS ± 0.010 2 1/2°			JW	1/3/64
2. BREAK ALL SHARP EDGES 0.015 APPROX		APPR	JW	
3. HATCH SURFACES				
4. ALL DIM. IN INCHES				
MODEL NO.		DWS NO.		
920		D 101701		A
NEXT ASSY.		SCALE		SHEET
		DO NOT SCALE DRAWING		

SDS SCIENTIFIC DATA SYSTEMS
1542 FIFTEENTH STREET, SANTA MONICA, CALIFORNIA

DIAGRAM, LOGIC
COMPUTER

REVISIONS				101701	A
REV	DESCRIPTION	CHK	DATE	APPROVED	
A	RELEASED TO MFG				

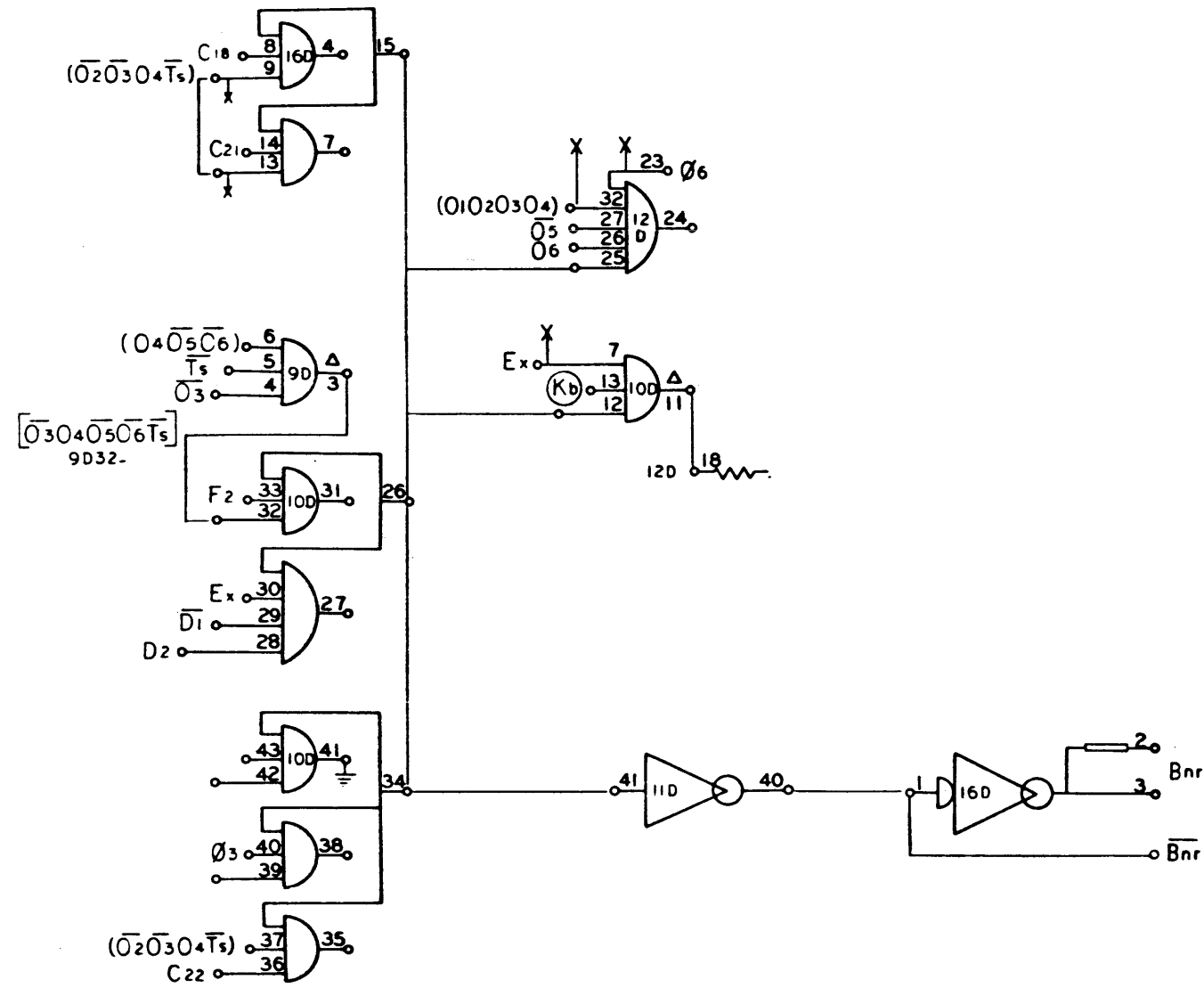


920
Page 95

NO. REQ.	DRAWING NO.	DESCRIPTION	REFERENCE DESIGNATION	ITEM NO.
MATERIAL LIST				
NOTES UNLESS SPECIFIED		DRAWN	CHECK	DATE
1. TOLERANCES XX ± .030 ANGLAR XXX ± .010				1/13/60
2. BREAK ALL SHARP EDGES 0.10 APPROX.		APPR		1/13/60
3. MATCH SURFACES ✓				
4. ALL DIMS IN INCHES				
 1542 FIFTEENTH STREET SANTA MONICA CALIFORNIA				
TITLE				
DIAGRAM, LOGIC COMPUTER				
MODEL NO. 920		SIZE D	DWG NO. 101701	SHEET A
NEXT ASSY.		SCALE	DO NOT SCALE DRAWING	SHEET

101701 (A)

REV		REVISIONS			101701		A
REV	DESCRIPTION	CHK	DATE	APPROVED			
A	RELEASED TO MFG	<i>[Signature]</i>	1-26-64	<i>[Signature]</i>			



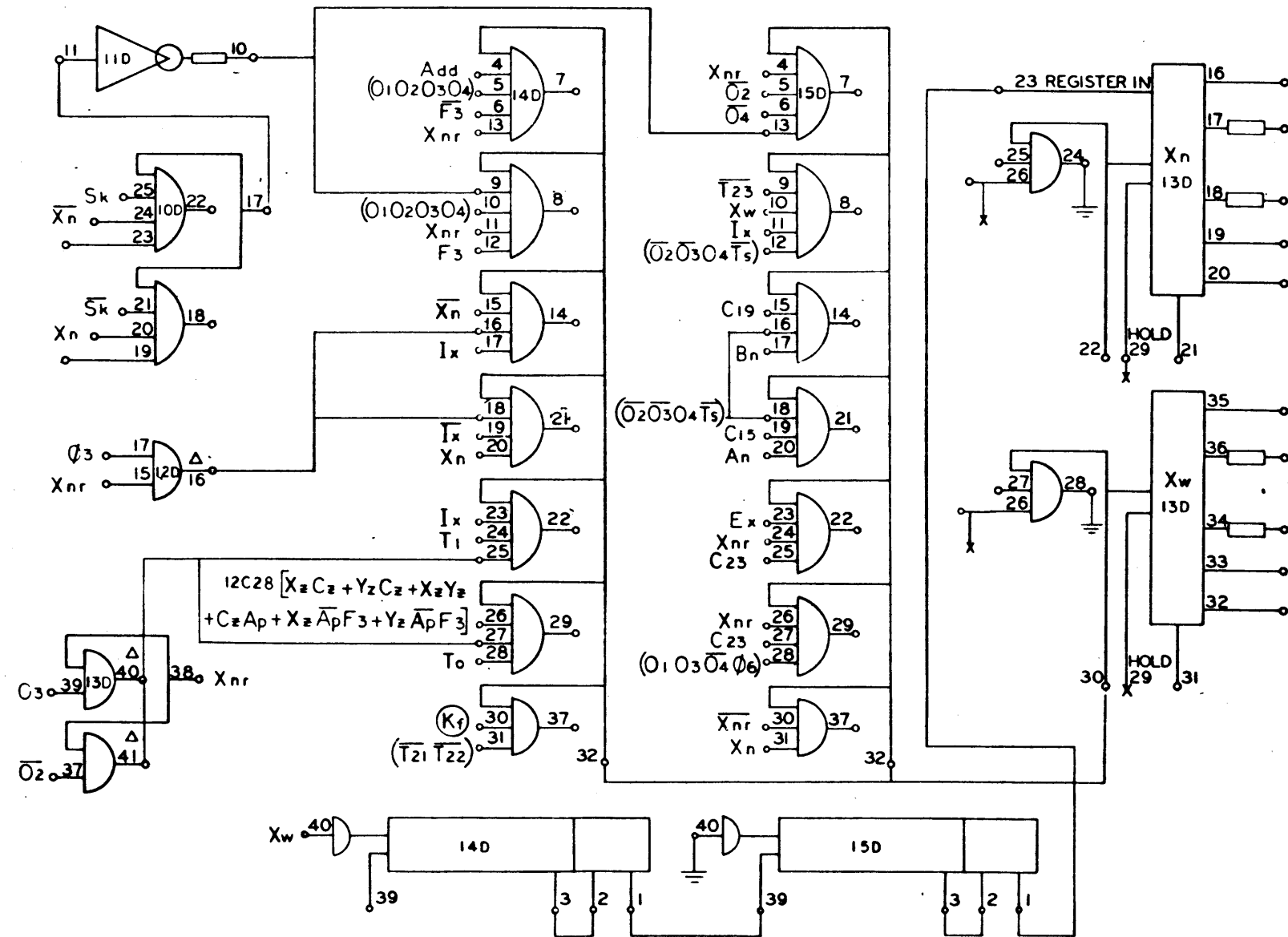
920
Page 96

101701 | A

NO. REQ.	DRAWING NO.	DESCRIPTION	REFERENCE DESIGNATION	ITEM NO.
MATERIAL LIST				
NOTES UNLESS SPECIFIED		DRAWN	CHECK	APPR.
1. TOLERANCES .32 ± .008 ANGULAR .125 ± .010 ± 1/2°		<i>[Signature]</i>	<i>[Signature]</i>	1/15/67
2. BREAK ALL SHARP EDGES .010 APPROX.		<i>[Signature]</i>	<i>[Signature]</i>	1/17/67
3. BACK SURFACES ✓				
4. ALL DIM. IN INCHES				
MODEL NO. 920		TITLE DIAGRAM, LOGIC COMPUTER		SIZE D
NEXT ASSY.		DWS NO. 101701		A
SCALE		DO NOT SCALE DRAWING		SHEET

SDS SCIENTIFIC DATA SYSTEMS
1942 FIFTEENTH STREET, SANTA MONICA, CALIFORNIA

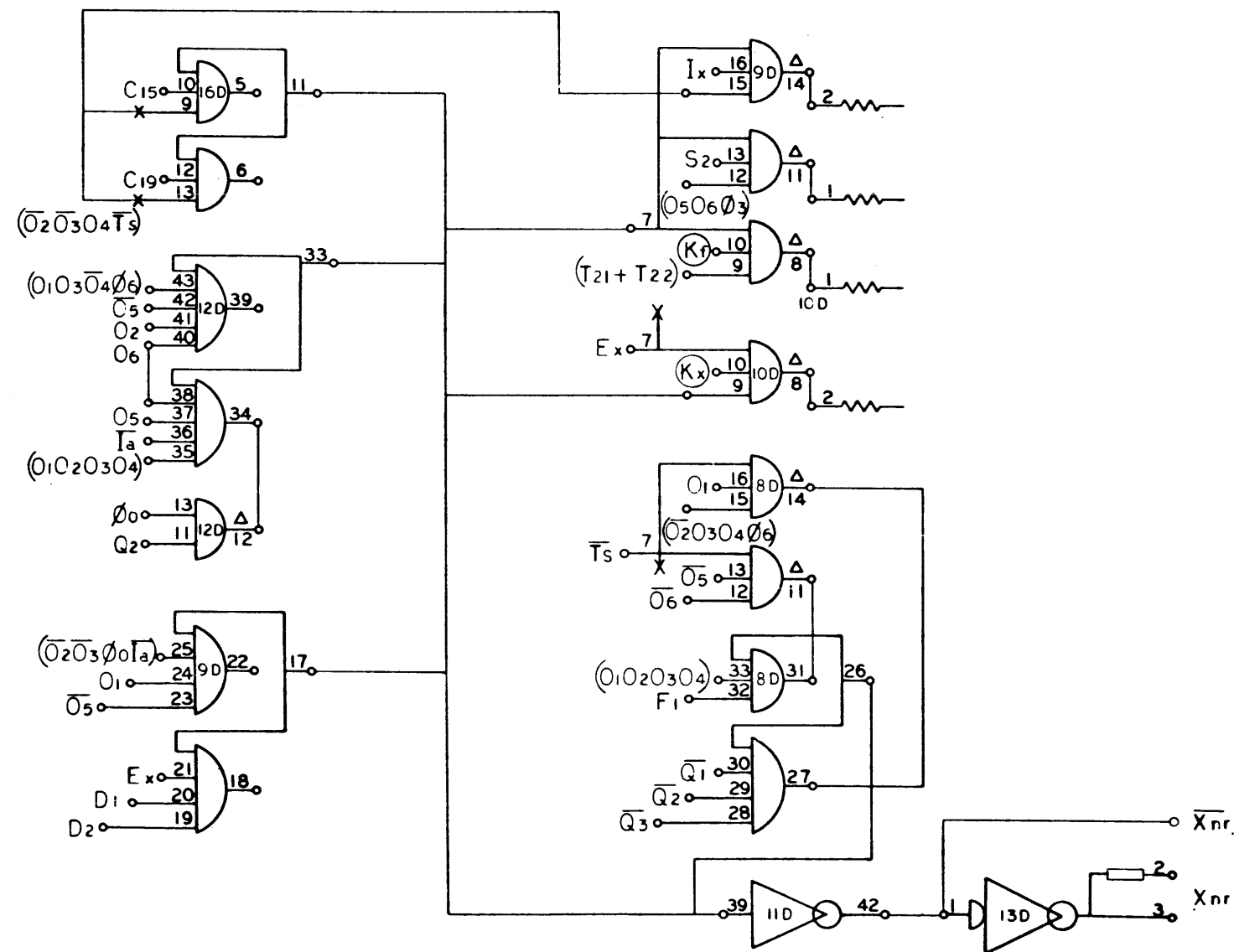
REVISIONS				101701	A
REV	DESCRIPTION	CHK	DATE	APPROVED	
A	RELEASED TO MFG				



NO. REQ.	DRAWING NO.	DESCRIPTION	REFERENCE DESIGNATION	ITEM NO.
MATERIAL LIST				
NOTES UNLESS SPECIFIED 1. TOLERANCES: LINEAR ± 0.10 ANGULAR ± 1° 2. BREAK ALL SHARP EDGES R10 APPROX 3. BACK SURFACES 4. ALL DIM. IN INCHES				
DRAWN: [Signature] CHECK: [Signature] 1/15/62 APPR: [Signature] 1/15/62		SDS SCIENTIFIC DATA SYSTEMS 1942 FIFTEENTH STREET, SANTA MONICA, CALIFORNIA		
MODEL NO. 920 NEXT ASSY.		TITLE: DIAGRAM, LOGIC COMPUTER SIZE: D DWG NO.: 101701 SHEET: A		
SCALE:		DO NOT SCALE DRAWING SHEET		

101701 (A)

REV		REVISIONS			101701	A
REV	DESCRIPTION	CHK	DATE	APPROVED		
A	RELEASED TO MFG					

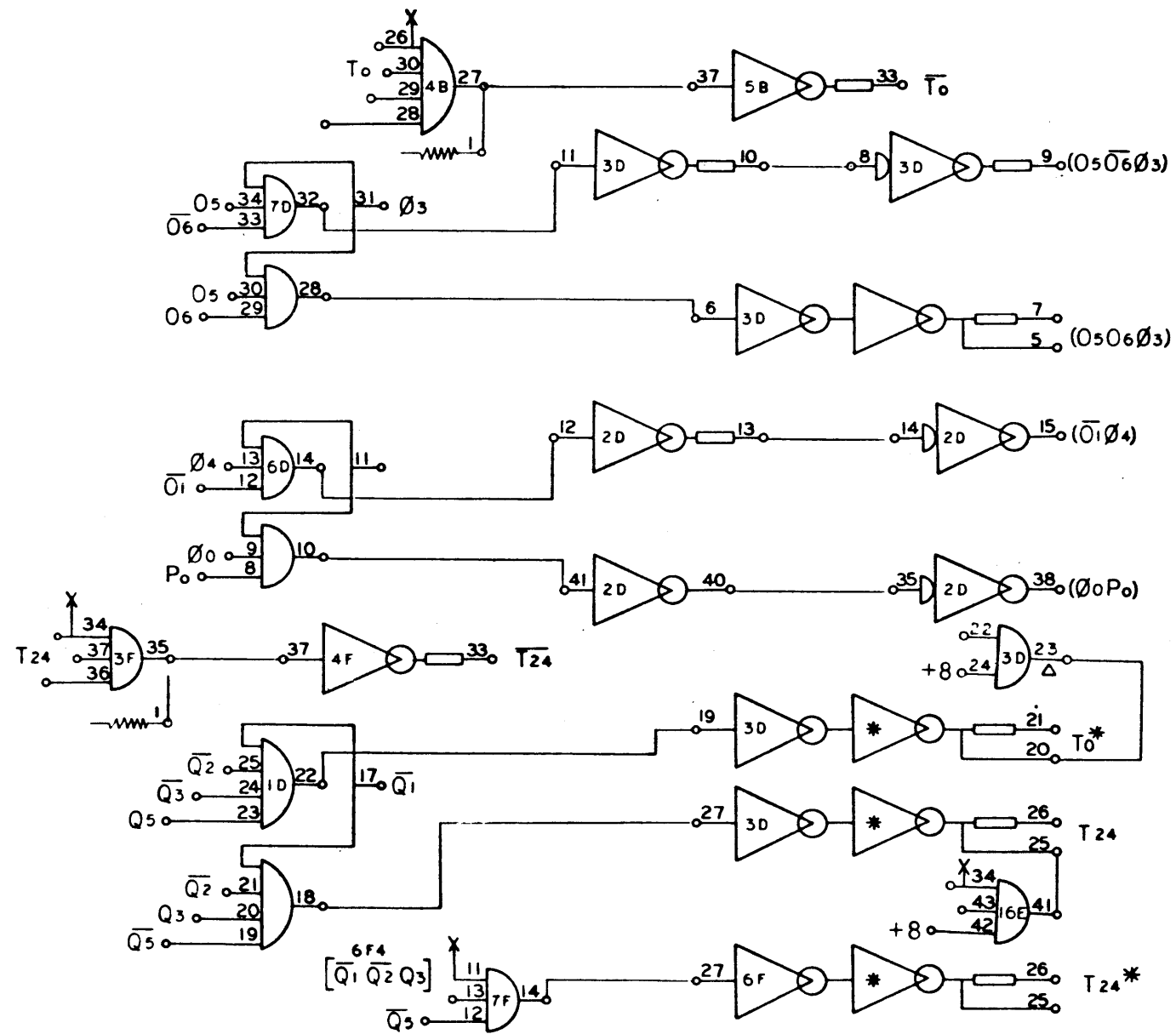


920
Page 98

101701 A

NO. REV.	DRAWING NO.	DESCRIPTION	REFERENCE DESIGNATION	ITEM NO.
MATERIAL LIST				
NOTES UNLESS SPECIFIED		DRAWN	CHECK	APPR.
1. TOLERANCES AS : 0.30 ANGULAR AS : 0.10				
2. BREAK ALL SHARP EDGES 0.75 APPROX.				
3. HATCH SURFACES ✓				
4. ALL DIM. IN INCHES				
MODEL NO. 920		 1942 FIFTEENTH STREET SANTA MONICA, CALIFORNIA		
NEXT ASSY.		TITLE DIAGRAM, LOGIC COMPUTER		
		SIZE D	DWG. NO. 101701	A
		SCALE	DO NOT SCALE DRAWING	SHEET

REV		REVISIONS			101701		A
REV	DESCRIPTION	CHK	DATE	APPROVED			
A	RELEASED TO MFG						

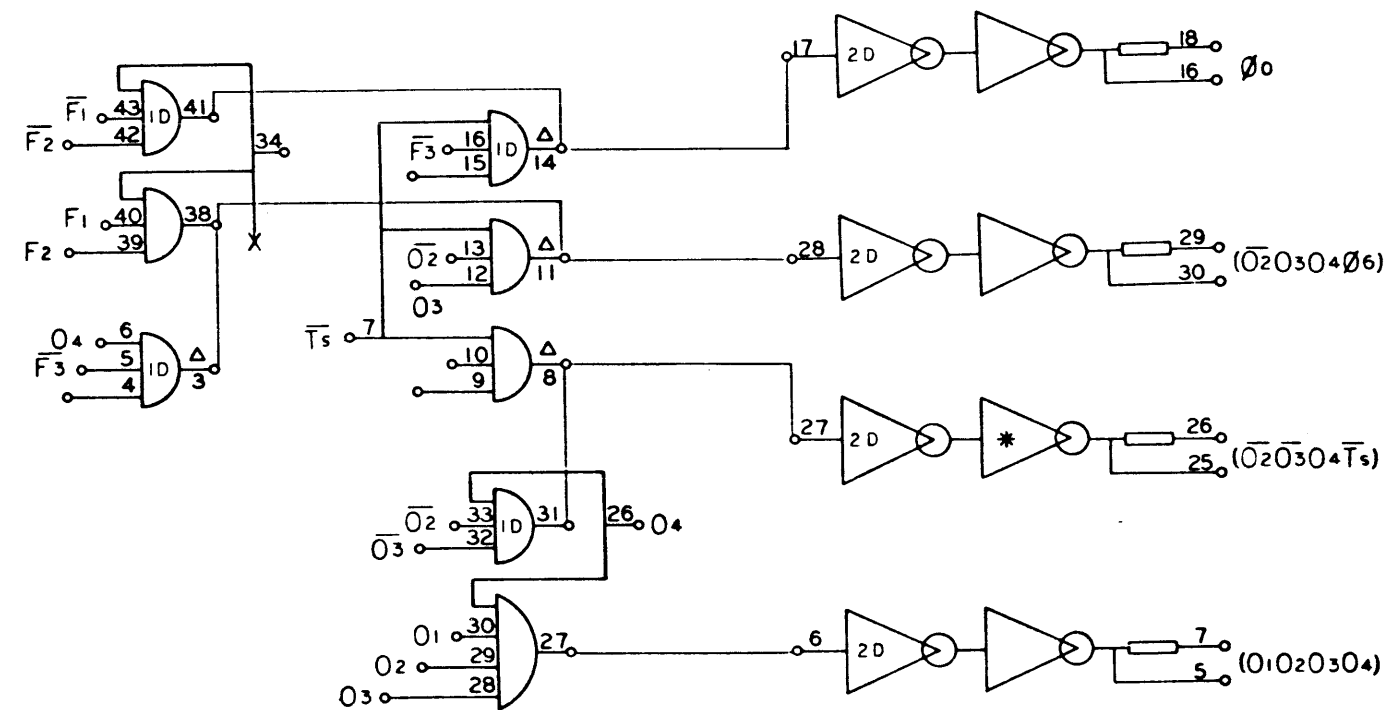


920
Page 99

NO. REQ.	DRAWING NO.	DESCRIPTION	REFERENCE DESIGNATION	ITEM NO.
MATERIAL LIST				
NOTES UNLESS SPECIFIED				
1. TOLERANCES DIM ± 0.00 ANGULAR ± 1/2°				
2. BREAK ALL SHARP EDGES .010 APPROX				
3. MACH SURFACES ✓				
4. ALL DIM IN INCHES				
DRAWN		DATE		
CHECK		APPR		
APPR		DATE		
SDS SCIENTIFIC DATA SYSTEMS 1545 FIFTEENTH STREET SANTA MONICA CALIFORNIA				
TITLE DIAGRAM, LOGIC COMPUTER				
MODEL NO. 920		SIZE D		DWG NO. 101701
NEXT ASSY.		SCALE		SHEET A
DO NOT SCALE DRAWING				

101701A

REVISIONS				101701	A
REV	DESCRIPTION	CHK	DATE	APPROVED	
A	RELEASED TO MFG				

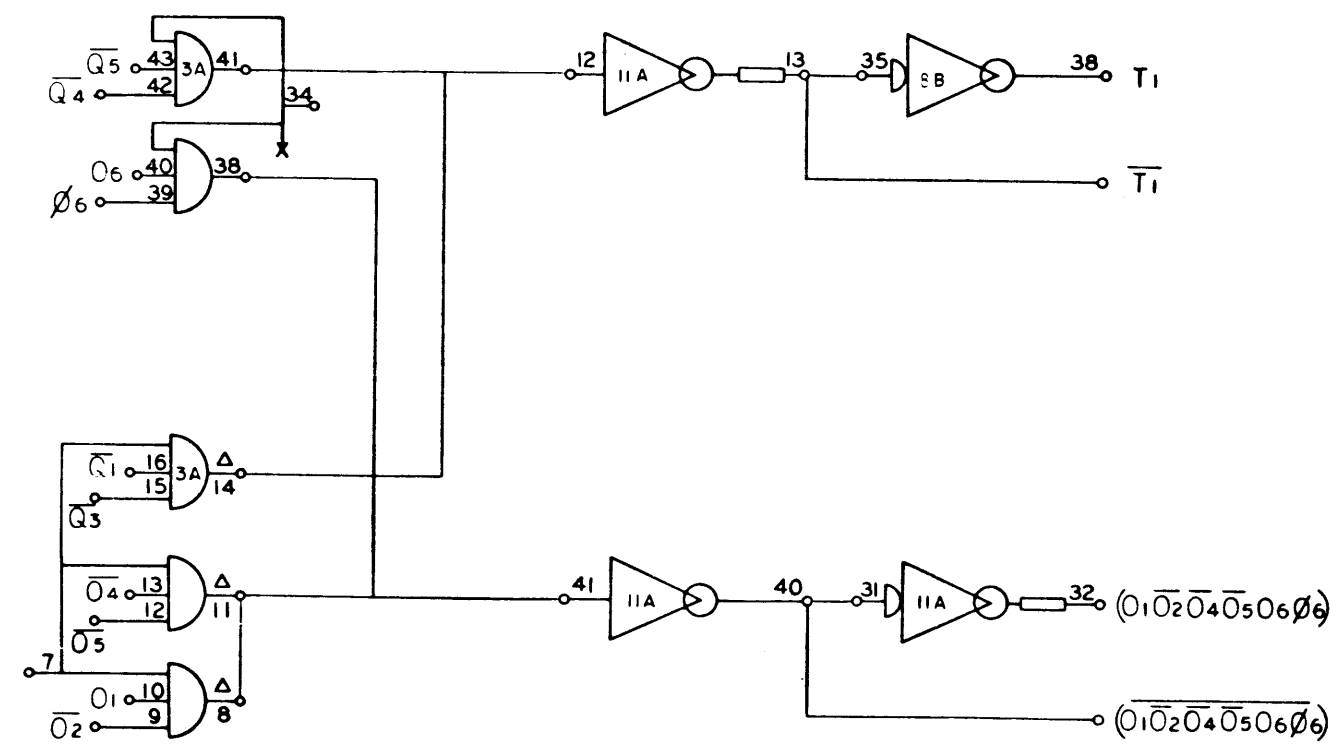


920
Page 100

NO. REQ.	DRAWING NO.	DESCRIPTION	REFERENCE DESIGNATION	ITEM NO.
MATERIAL LIST				
NOTES UNLESS SPECIFIED		DRAWN	<div style="text-align: center;"> <p>1542 FIFTEENTH STREET SANTA MONICA, CALIFORNIA</p> </div>	
1. TOLERANCES AS SHOWN SEE 2.010		CHECK		
2. BREAK ALL SHARP EDGES .010 APPROX		APPR		
3. MACH. SURFACES			DIAGRAM, LOGIC COMPUTER	
4. ALL DIM. IN INCHES				
MODEL NO.	920	SIZE	DWG. NO.	A
NEXT ASSY.		SCALE	DO NOT SCALE DRAWING	SHEET

101701 | A |

REVISIONS				101701	G
REV	DESCRIPTION	CHK	DATE	APPROVED	
A	RELEASED TO MFG				
G	SEE REVISION E.O.				

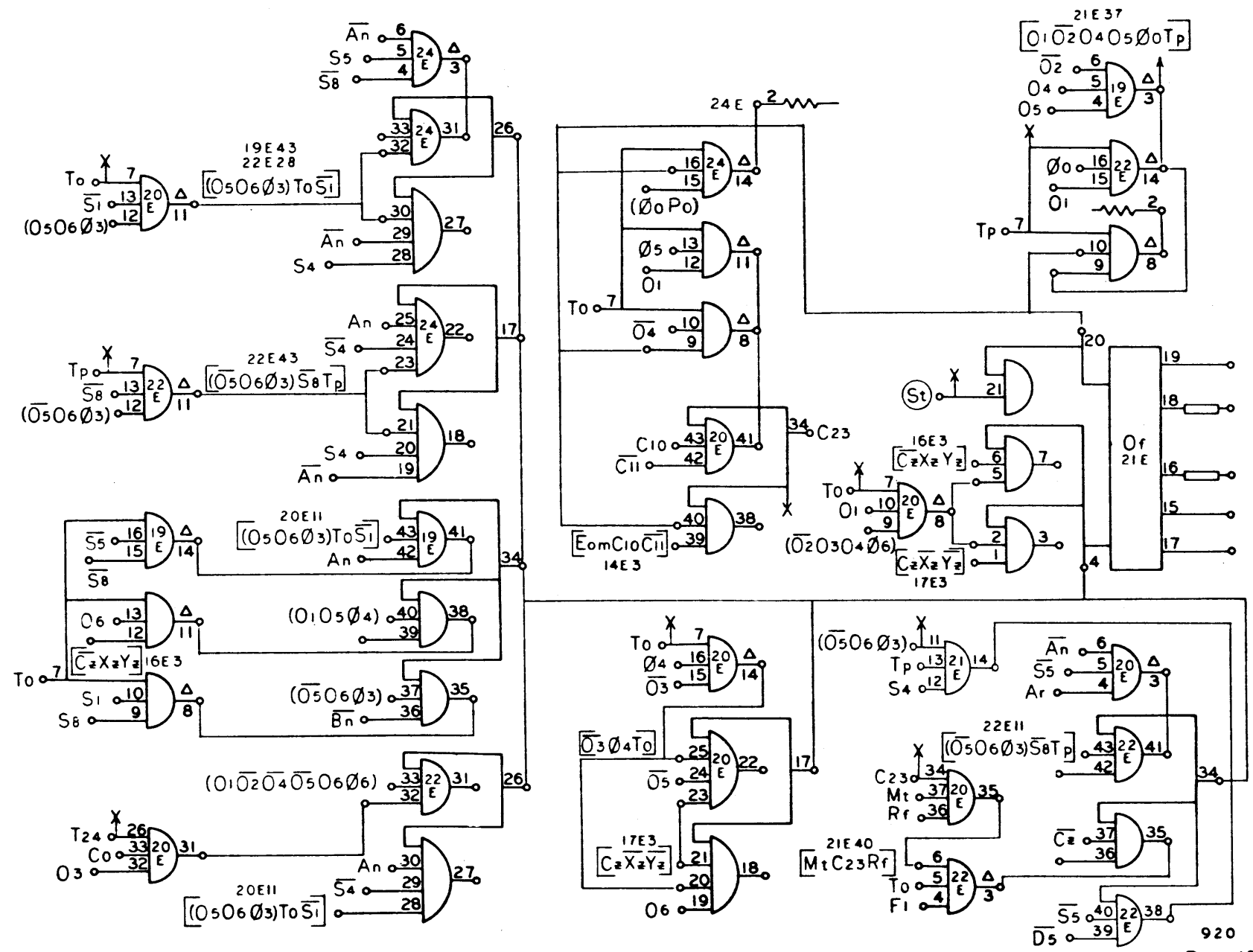


920
Page 101
G

NO. REV.	DRAWING NO.	DESCRIPTION	REFERENCE DESIGNATION	ITEM NO.
MATERIAL LIST				
NOTES UNLESS SPECIFIED		DRAWN	K. KEIPER 11-10-63	
1. TOLERANCES DIM ± 0.005 ANGLE ± 15'		CHECK	1/13/67	
2. BREAK ALL SHARP EDGES 0.10 APPROX.		APPR	1/13/67	
3. MACH. SURFACES ✓				
4. ALL DIM. IN INCHES				
		 1545 FIFTEENTH STREET SANTA MONICA CALIFORNIA		
		TITLE DIAGRAM, LOGIC COMPUTER		
MODEL NO.	920	SIZE	DWG NO.	G
NEXT ASSY.		D	101701	
		SCALE	DO NOT SCALE DRAWING	SHEET

101701-101

REV		DESCRIPTION	CHK	DATE	APPROVED
A		RELEASED TO MFG			
B		SEE REV. E. O.			

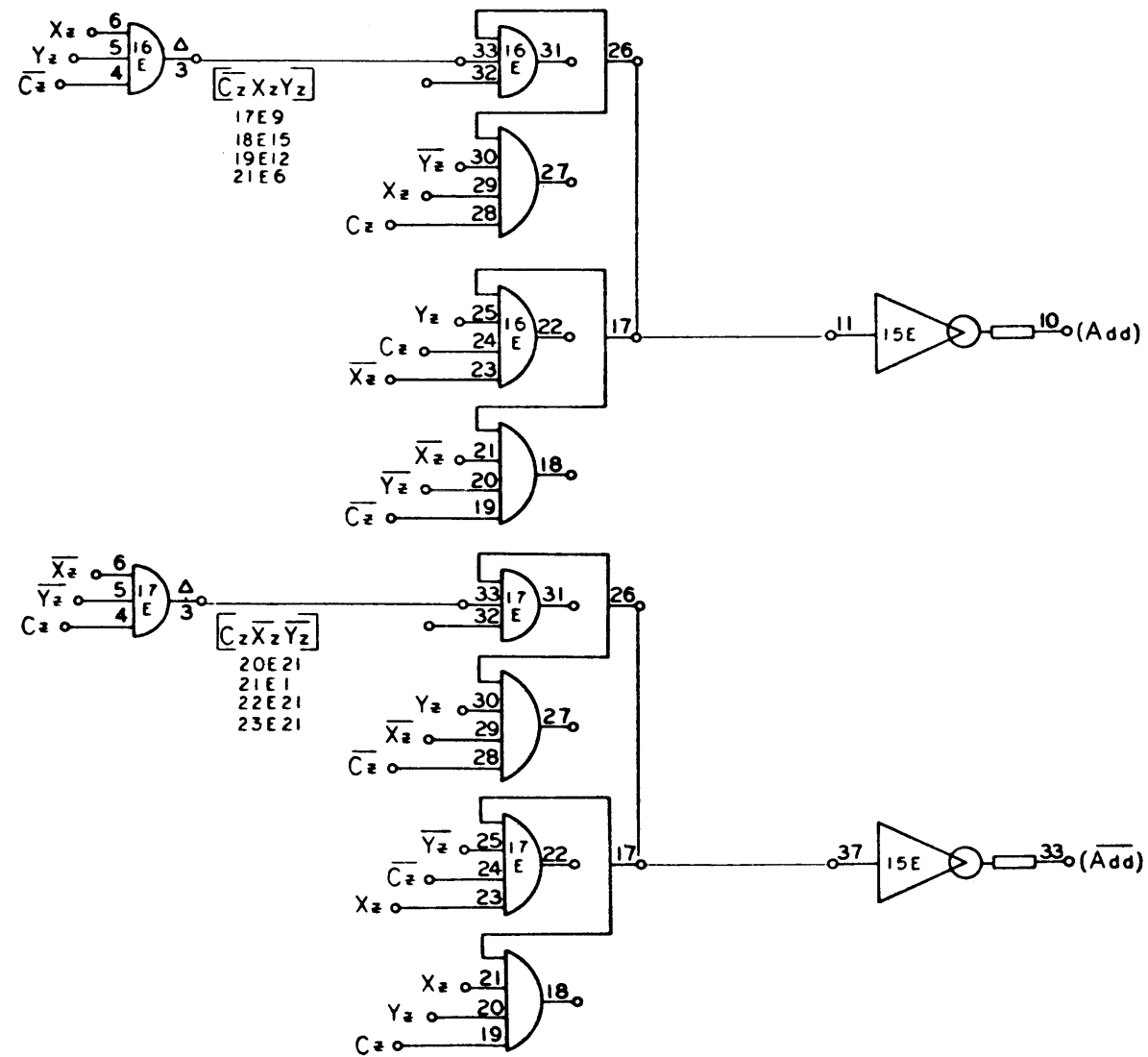


920
Page 102
B

101701 B

NO. REQ.	DRAWING NO.	DESCRIPTION	REFERENCE DESIGNATION	ITEM NO.
MATERIAL LIST				
NOTES UNLESS SPECIFIED 1. TOLERANCES .XX ± .000 ANGULAR .XX ± .010 ± 1/2° 2. BREAK ALL SHARP EDGES .010 APPROX 3. BACK SURFACES ✓ 4. ALL DIM. IN INCHES				
MODEL NO. 920		TITLE DIAGRAM, LOGIC COMPUTER		
NEXT ASSY.		SIZE D	DWG NO. 101701	SHEET B
SCALE		DO NOT SCALE DRAWING		SHEET

REVISIONS			101701		A
REV	DESCRIPTION	CHK	DATE	APPROVED	
A	RELEASED TO MFG				

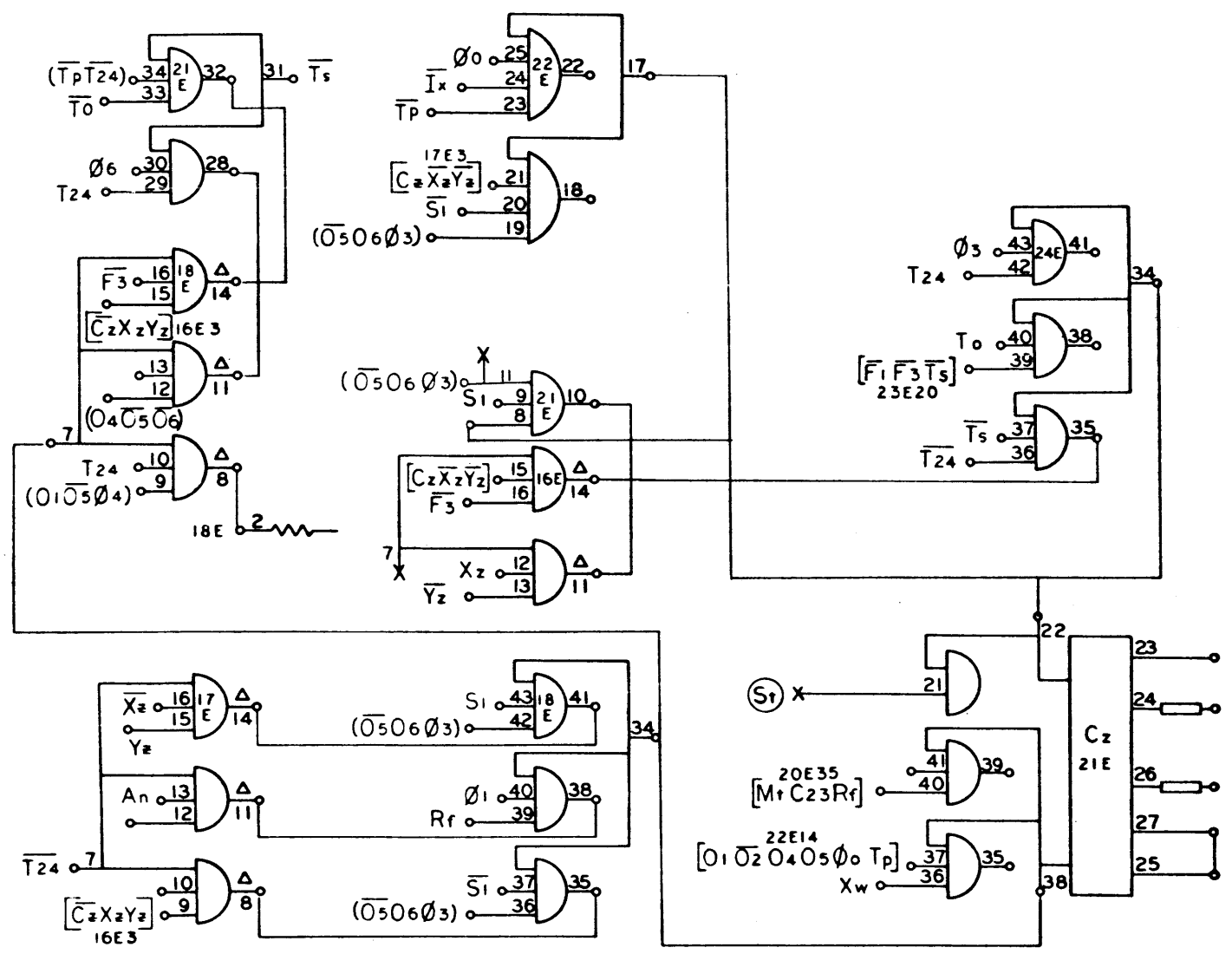


920
Page 103

NO REQ	DRAWING NO.	DESCRIPTION	REFERENCE DESIGNATION	ITEM NO.
MATERIAL LIST				
NOTES UNLESS SPECIFIED		DRAWN	TITLE	
1. TOLERANCES XX ± .000 XXX ± .010		CHECK	SDS SCIENTIFIC DATA SYSTEMS 1842 FIFTEENTH STREET SANTA MONICA CALIFORNIA DIAGRAM, LOGIC COMPUTER	
2. BREAK ALL SHARP EDGES .010 APPROX		APPR		
3. HATCH SURFACES ✓				
4. ALL DIM. IN INCHES				
MODEL NO.	920	SIZE	DWG NO.	A
NEXT ASSY.		SCALE	101701	
			DO NOT SCALE DRAWING	SHEET

101701A1

REVISIONS				101701	B
REV	DESCRIPTION	CHR	DATE	APPROVED	
A	RELEASED TO MFG				
B	SEE REV. E.O.				



920
Page 104
B

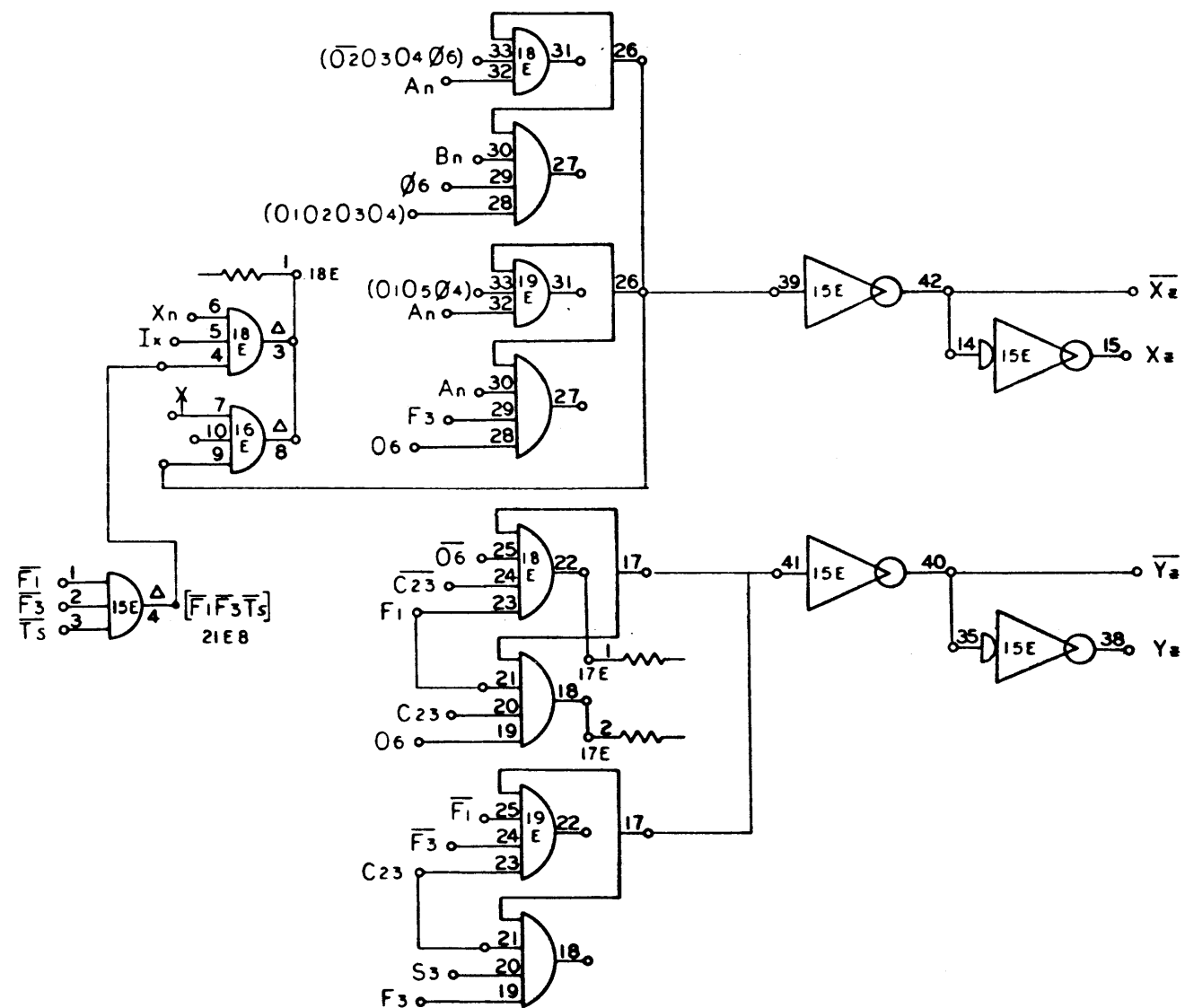
101701 B

NO. REV.	DRAWING NO.	DESCRIPTION	REFERENCE DESIGNATION	ITEM NO.
MATERIAL LIST				
NOTES UNLESS SPECIFIED				
1. TOLERANCES XX ±.010 ANGULAR SEE 2.910 ±15°				
2. BREAK ALL SHARP EDGES .010 RADIUS				
3. HATCH SURFACES				
4. ALL DIM. IN INCHES				
DRAWN		CHECK	DATE	
APPR.				
MODEL NO.		DWS NO.		
920		D 101701		B
NEXT ASSY.		SCALE		SHEET
		DO NOT SCALE DRAWING		

SDS SCIENTIFIC DATA SYSTEMS
1540 FIFTEENTH STREET, SANTA MONICA, CALIFORNIA

DIAGRAM, LOGIC
COMPUTER

REVISIONS				101701	A
REV	DESCRIPTION	CHK	DATE	APPROVED	
A	RELEASED TO MFG		1/3		

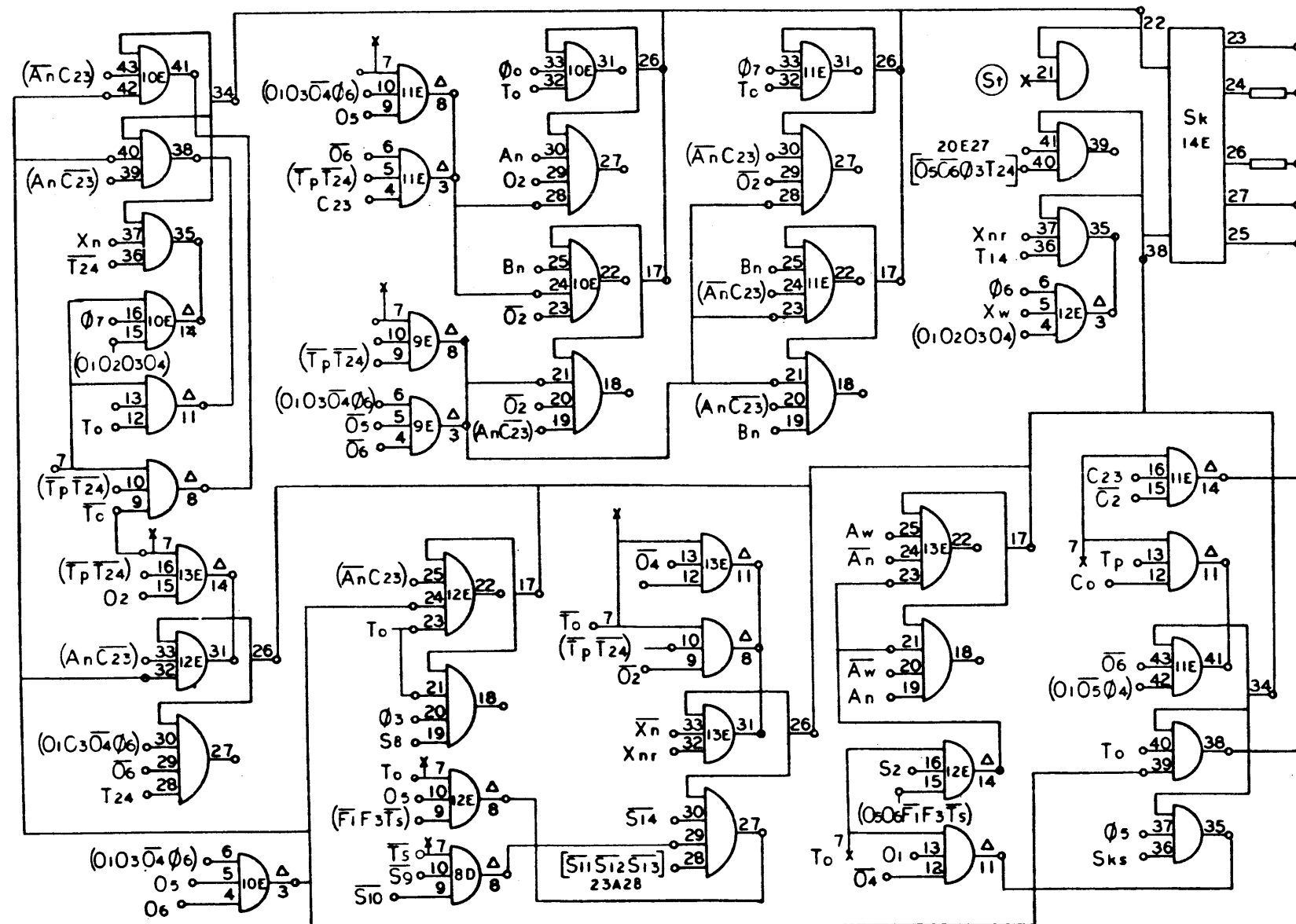


920
Page 105

NO. REV	DRAWING NO.	DESCRIPTION	REFERENCE DESIGNATION	ITEM NO.
MATERIAL LIST				
NOTES UNLESS SPECIFIED		DRAWN	SDS SCIENTIFIC DATA SYSTEMS 1942 FIFTEENTH STREET, SANTA MONICA, CALIFORNIA	
1. TOLERANCES .32 ± .000 ANGULAR .125 ± .010		CHECK	TITLE	
2. BREAK ALL SHARP EDGES 0.10 APPROX		APPR.	DIAGRAM, LOGIC COMPUTER	
3. BACK SURFACES 4. ALL DIM. IN INCHES				
MODEL NO.	920	SIZE	DWS NO.	A
NEXT ASSY.		SCALE	DO NOT SCALE DRAWING	SHEET

101701 A

REV.		DESCRIPTION		CHK.	DATE	APPROVED
A		RELEASED TO MFG			1/3	

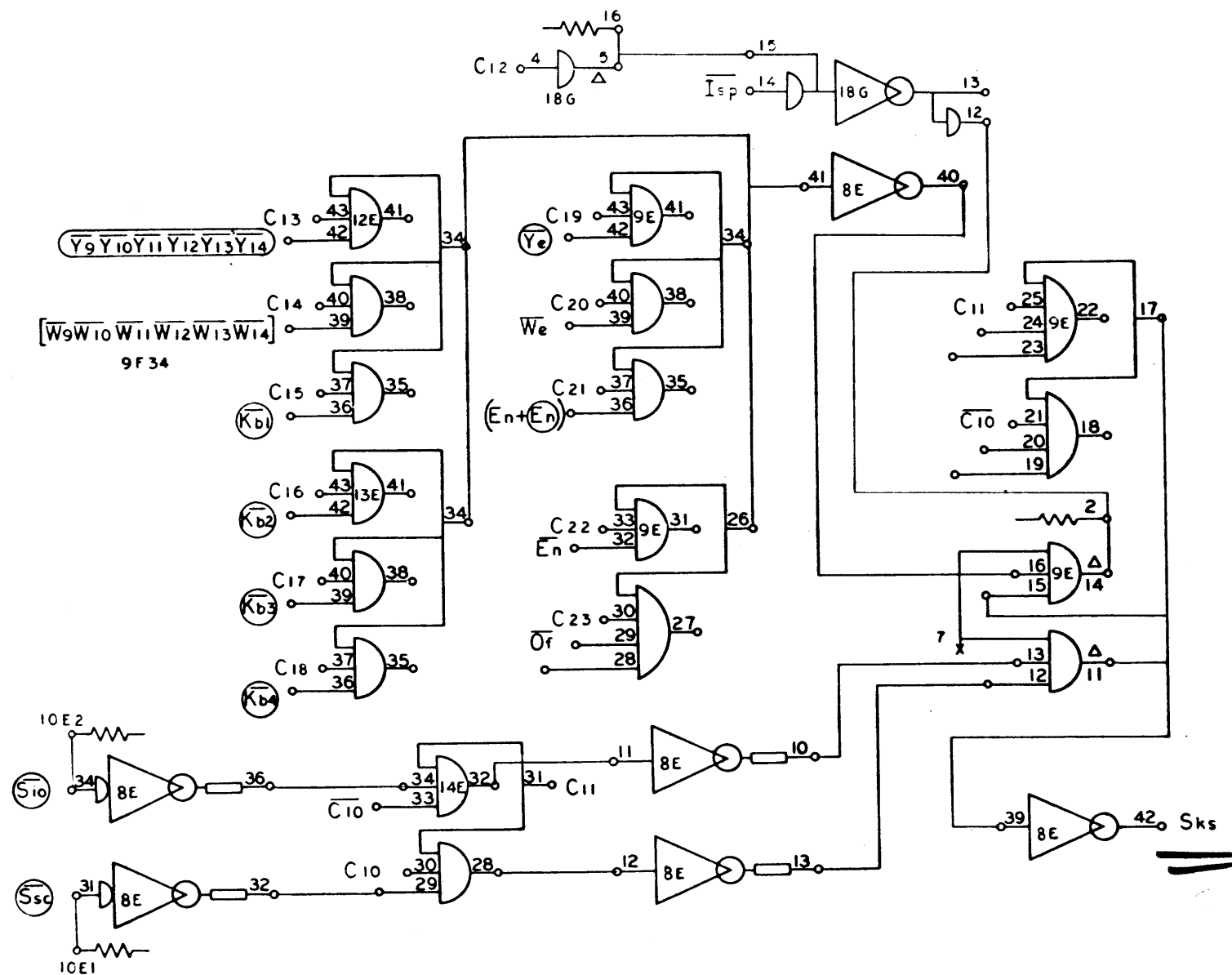


920
Page 106

NO. REV.	DRAWING NO.	DESCRIPTION	REFERENCE DESIGNATION	ITEM NO.
MATERIAL LIST				
NOTES UNLESS SPECIFIED		DRAWN	SDS SCIENTIFIC DATA SYSTEMS 1545 FIFTEENTH STREET, SANTA MONICA, CALIFORNIA	
1. TOLERANCES XX ± .000 ANGULAR SEE 2.010 ± 1/2"		CHECK		
2. BREAK ALL SHARP EDGES @ 15 DEGREE.		APPR.		
3. HATCH SURFACES ✓			TITLE DIAGRAM, LOGIC COMPUTER	
4. ALL DIM. IN INCHES				
MODEL NO. 920		SIZE D	DWG NO. 101701	
NEXT ASBY.			A	
		SCALE	DO NOT SCALE DRAWING SHEET	

101701 A

REVISIONS				101701
REV	DESCRIPTION	CHK	DATE	APPROVED
A	RELEASED TO MFG			
F	SEE REV E.O.			

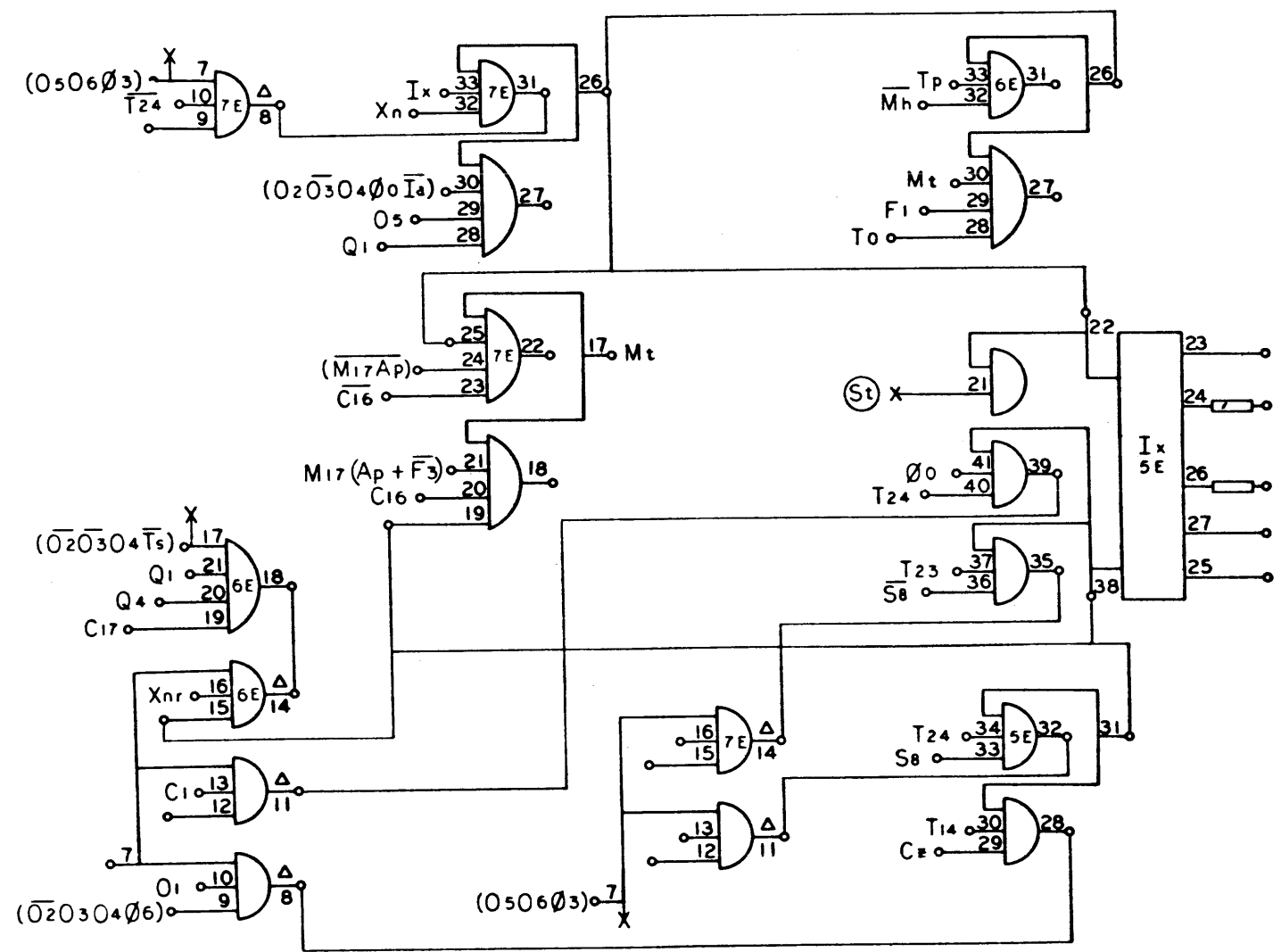


920
Page 107
F

NO. REQ	DRAWING NO.	DESCRIPTION	REFERENCE DESIGNATION	ITEM NO.
NOTES UNLESS SPECIFIED				
1. TOLERANCES XX ± 0.00 ANGULAR XX ± 0.10 2 1/2°				
2. BREAK ALL SHARP EDGES Ø10 APPROX				
3. BACK SURFACES ✓				
4. ALL DIM. IN INCHES				
DRAWN		CHECK	DATE	TITLE
APPR.				
MODEL NO.		DWG NO.		
920		D 101701		F
NEXT ASSY.		SCALE		DO NOT SCALE DRAWING SHEET

101701 F

REVISIONS			101701	A
REV	DESCRIPTION	CHK	DATE	APPROVED
A	RELEASED TO MFG		1/13	

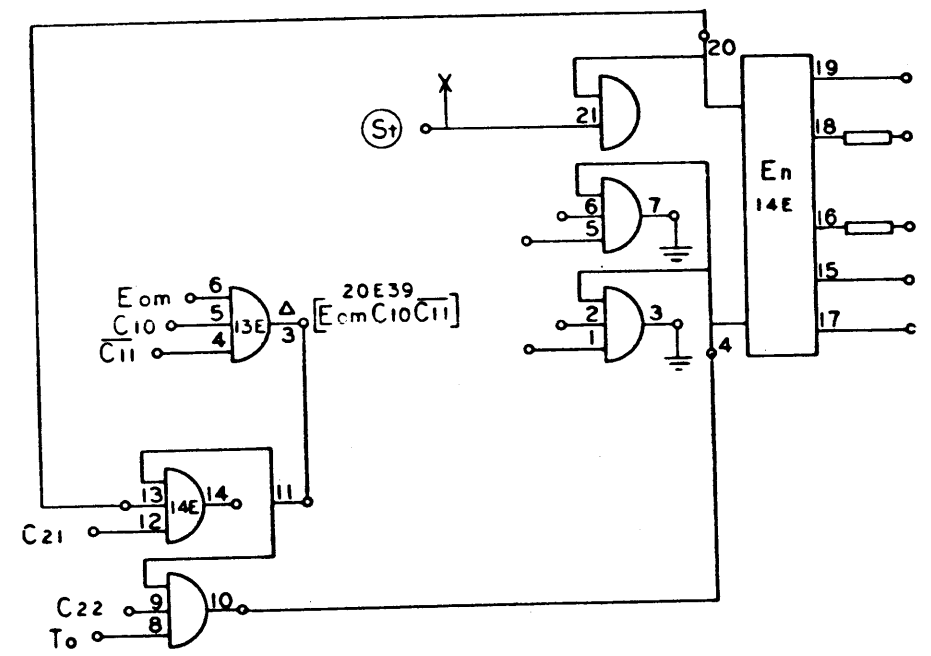


920
Page 108

101701 | A |

NO. REV.	DRAWING NO.	DESCRIPTION	REFERENCE DESIGNATION	ITEM NO.
MATERIAL LIST				
NOTES UNLESS SPECIFIED		DRAWN	 1525 FIFTEENTH STREET SANTA MONICA, CALIFORNIA	
1. TOLERANCES .001 ± .0005 ANGULAR .005 ± .002 ± 1/2° 2. BREAK ALL SHARP EDGES .010 APPROX. 3. HATCH SURFACES ✓ 4. ALL DIM. IN INCHES		CHECK		
		APPR.	DATE	DIAGRAM, LOGIC COMPUTER
MODEL NO.	920	SIZE	DWG NO.	A
NEXT ASSY.		SCALE	DO NOT SCALE DRAWING	SHEET

REVISIONS				101701	A
REV	DESCRIPTION	CHK	DATE	APPROVED	
A	RELEASED TO MFG	SL	1/13/62	[Signature]	

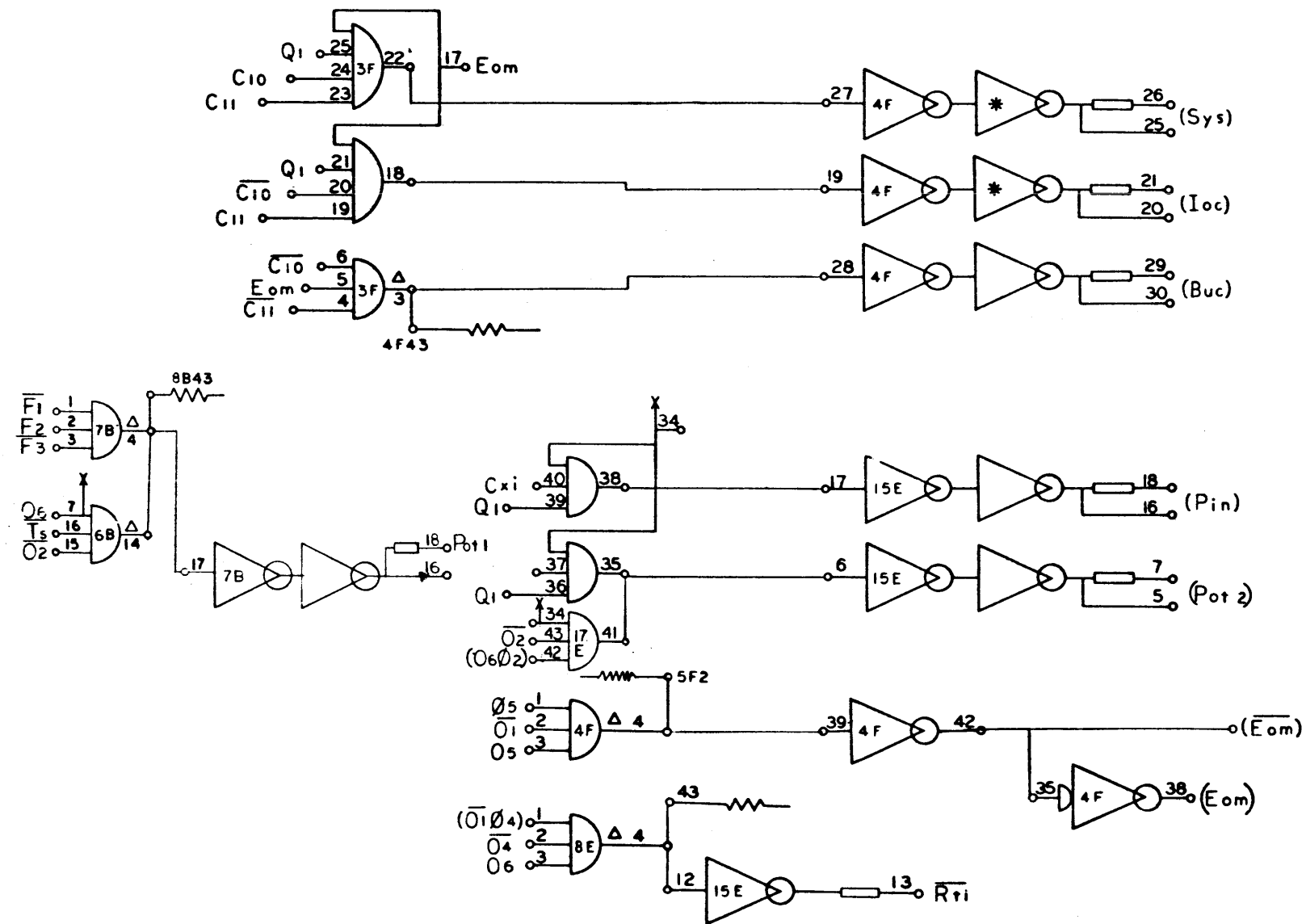


920
Page 109

NO. REG	DRAWING NO.	DESCRIPTION	REFERENCE DESIGNATION	ITEM NO.
MATERIAL LIST				
NOTES UNLESS SPECIFIED		DRAWN	CHECK	DATE
1. TOLERANCES XX ± .000 ANGULAR SEE 2. DIM		SL	SL	1/13/62
2. BREAK ALL SHARP EDGES .010 APPROX		APPR	[Signature]	1/12/62
3. MACH. SURFACES ✓				
4. ALL DIM. IN INCHES				
MODEL NO. 920		TITLE DIAGRAM, LOGIC COMPUTER		ITEM NO. A
NEXT ASSY.		SCALE	DO NOT SCALE DRAWING	SHEET

101701 1A1

REV		DESCRIPTION		CHR	DATE	APPROVED
A		RELEASED TO MFG				
F		SEE REV E.O.				
J		SEE REV E.O.				

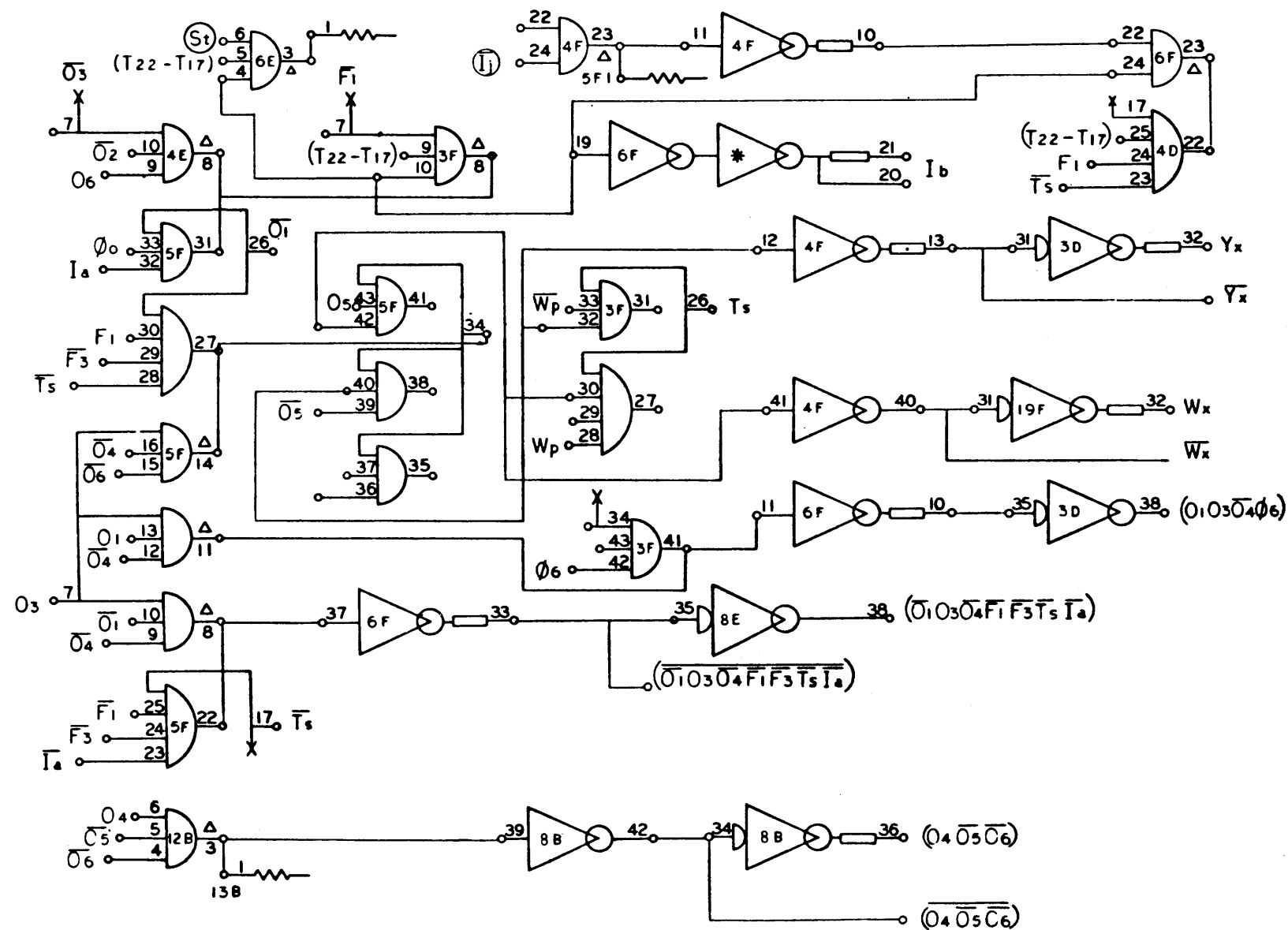


920
Page 110
J

101701 J1

NO. REQ.	DRAWING NO.	DESCRIPTION	REFERENCE DESIGNATION	ITEM NO.
NOTES UNLESS SPECIFIED				
1. TOLERANCES XX ± 0.00 ANGULAR XXX ± 0.01 2 1/2°				
2. BREAK ALL SHARP EDGES 370 APPROX.				
3. HATCH SURFACES ✓				
4. ALL DIM. IN INCHES				
DRAWN		CHECK		DATE
APPR.		APPR.		DATE
MATERIAL LIST				
SDS SCIENTIFIC DATA SYSTEMS 1942 FIFTEENTH STREET SANTA MONICA, CALIFORNIA				
TITLE DIAGRAM, LOGIC COMPUTER				
MODEL NO. 920		SIZE D		DWS NO. 101701
NEXT ASSY.		SCALE DO NOT SCALE DRAWING		SHEET J

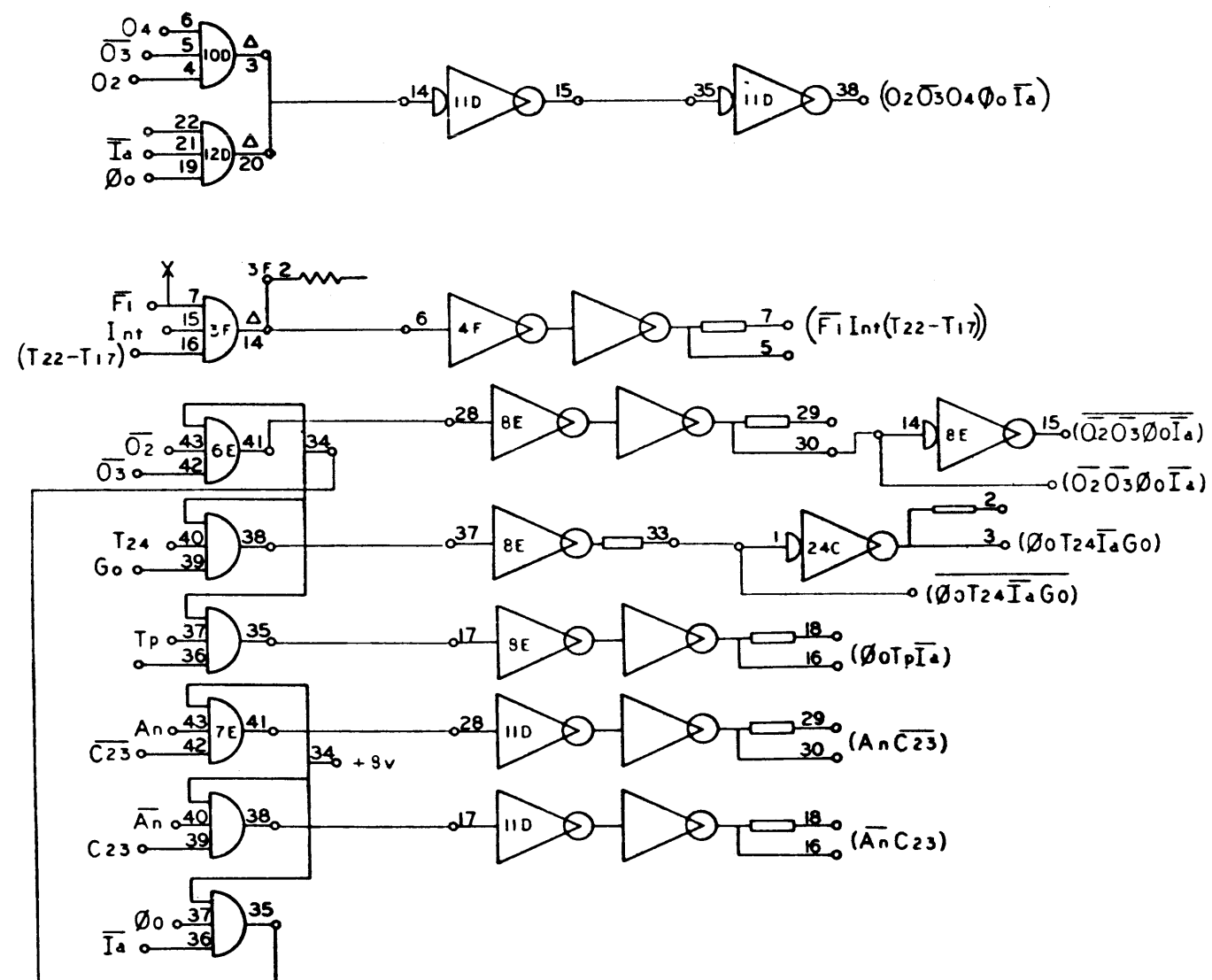
REV		DESCRIPTION		CHK	DATE	APPROVED	101701	A
A		RELEASED TO MFG			1/13/62			



920
Page !!!

NO. REV.	DRAWING NO.	DESCRIPTION	REFERENCE DESIGNATION	ITEM NO.
MATERIAL LIST				
NOTES UNLESS SPECIFIED		DRAWN	CHECK	DATE
1. TOLERANCES XX ± 0.00 ANGLE ± 1/2° XXX ± 0.00		APPR		
2. BREAK ALL SHARP EDGES 2/16 APPROX				
3. HATCH SURFACES				
4. ALL DIM. IN INCHES				
MODEL NO. 920		SDS SCIENTIFIC DATA SYSTEMS 1542 FIFTEENTH STREET SANTA MONICA, CALIFORNIA		TITLE
NEXT ASSY.		DIAGRAM, LOGIC COMPUTER		
		SIZE	DWG NO.	
		D	101701	A
		SCALE	DO NOT SCALE DRAWING	SHEET

REV		DESCRIPTION		CHK	DATE	APPROVED
A		RELEASED TO MFG			2/24/53	J. W. ...

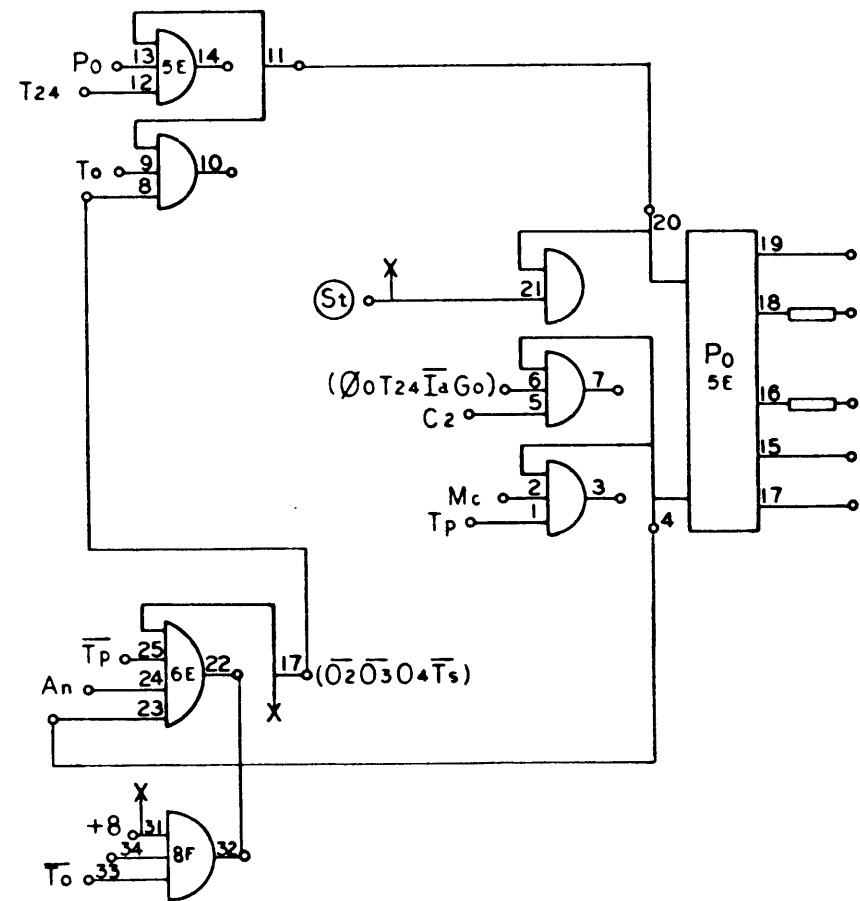


920
Page 112

NO. REV.	DRAWING NO.	DESCRIPTION	REFERENCE DESIGNATION	ITEM NO.
MATERIAL LIST				
NOTES UNLESS SPECIFIED		DRAWN	CHECK	DATE
1. TOLERANCES XX ± 0.00 ANGULAR XXX ± 0.10		APPR		
2. BREAK ALL SHARP EDGES 0.10 APPROX				
3. BREAK SURFACES ✓				
4. ALL DIM. IN INCHES				
MODEL NO. 920		SDS SCIENTIFIC DATA SYSTEMS 1542 FIFTEENTH STREET SANTA MONICA CALIFORNIA		TITLE DIAGRAM, LOGIC COMPUTER
NEXT ASSY.		SIZE D	DWG NO. 101701	SHEET A
SCALE		DO NOT SCALE DRAWING		SHEET

101701 A

REVISIONS				101701	A
REV.	DESCRIPTION	CHK	DATE	APPROVED	
A	RELEASED TO MFG		11/13/67		



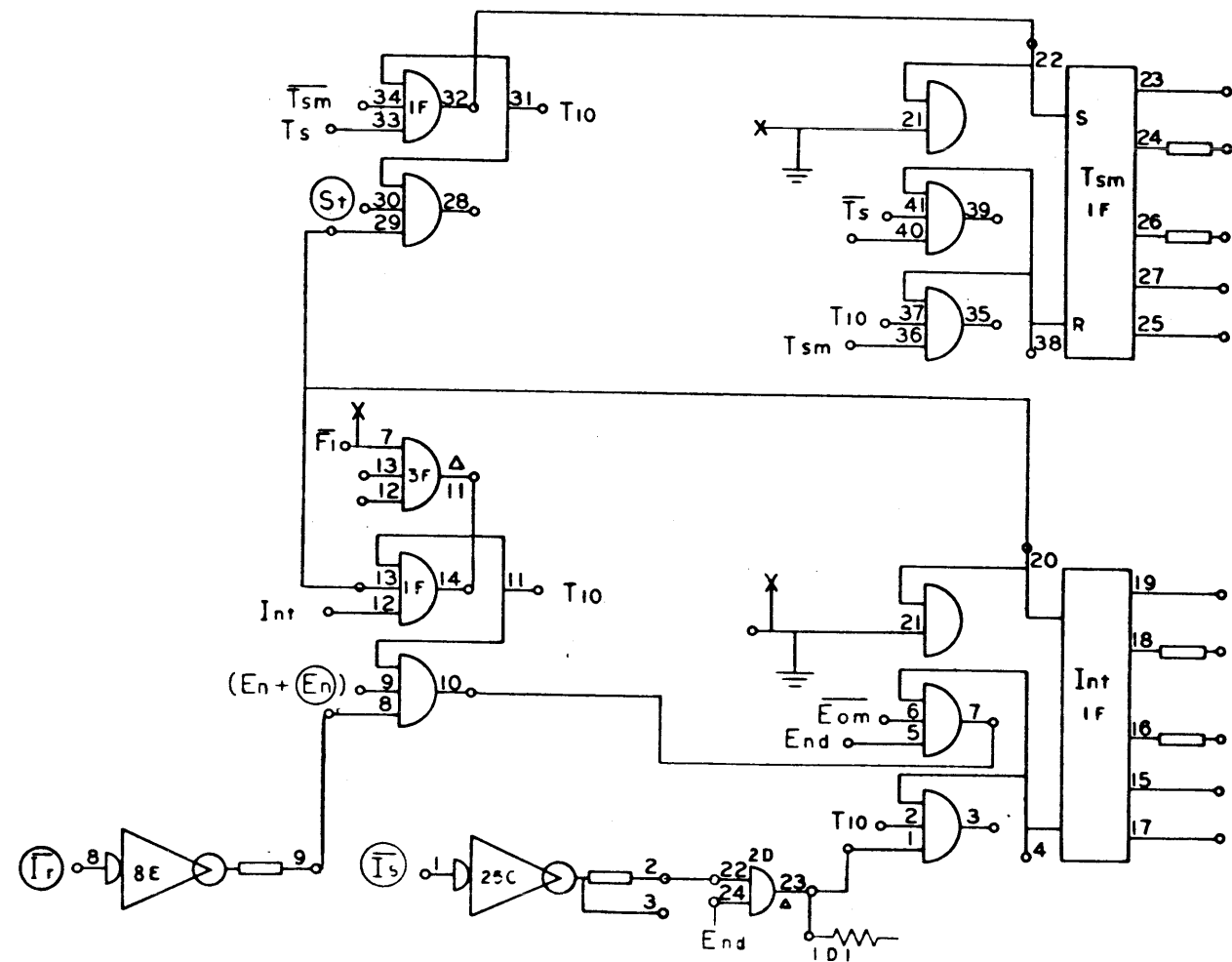
920
Page 113

NO. REV.	DRAWING NO.	DESCRIPTION	REFERENCE DESIGNATION	ITEM NO.
MATERIAL LIST				
NOTES UNLESS SPECIFIED		DRAWN	CHECK	DATE
1. TOLERANCES XX ± .000 ANGULAR XXX ± .010 2.1°				11/13/67
2. BREAK ALL SHARP EDGES 0.10 APPROX		APPR		11/13/67
3. BREAK SURFACES ✓				
4. ALL DIM. IN INCHES				
MODEL NO.		SIZE		DWG NO.
920		D		101701
NEXT ASSY.		SCALE		SHEET
		DO NOT SCALE DRAWING		A

SDS SCIENTIFIC DATA SYSTEMS
1548 FIFTEENTH STREET SANTA MONICA CALIFORNIA

DIAGRAM, LOGIC
COMPUTER

REVISIONS				101701
REV	DESCRIPTION	CHK	DATE	APPROVED
A	RELEASED TO MFG			
F	SEE REV E.O.			

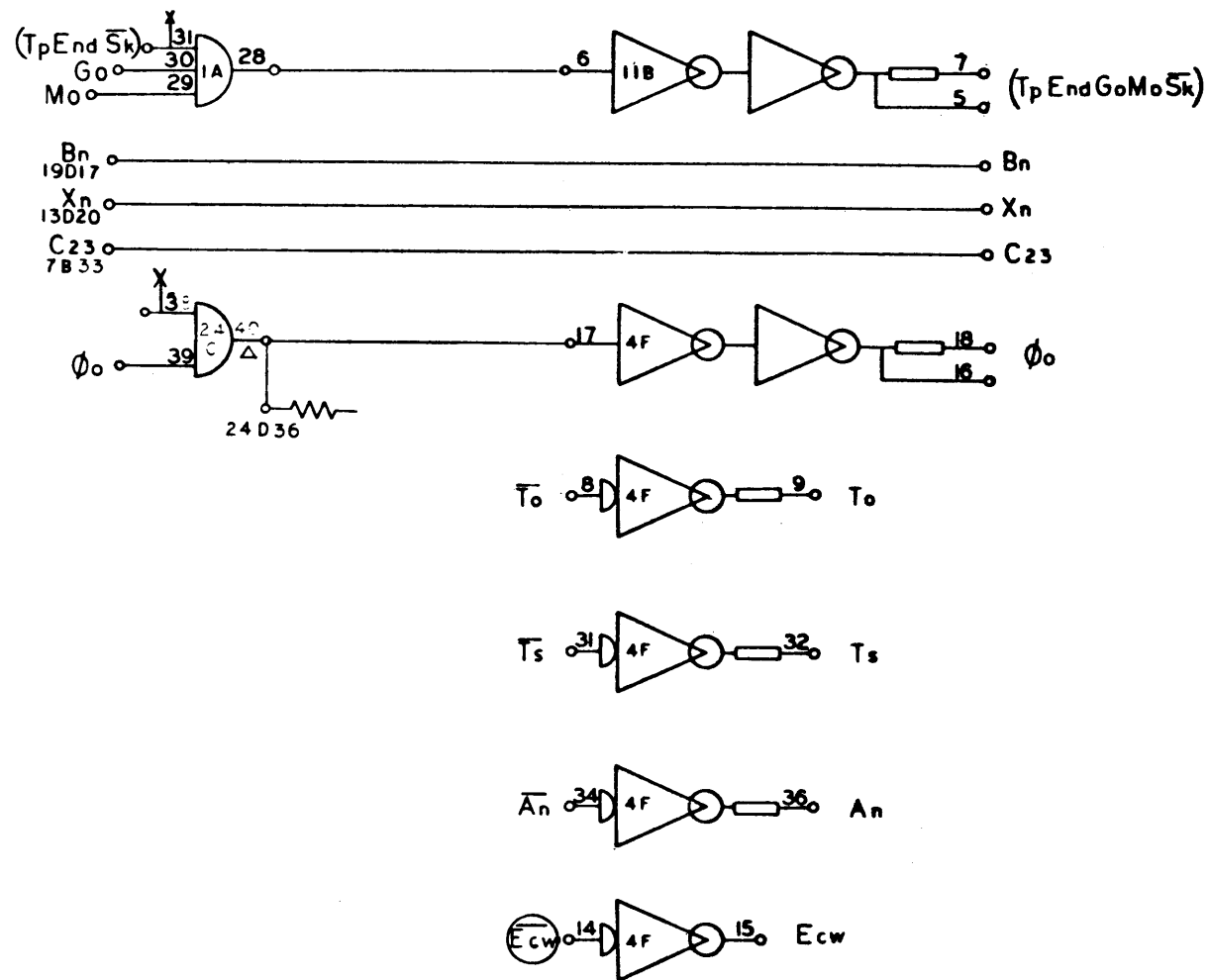


920
Page 114
F

101701 | F

NO. REQ.	DRAWING NO.	DESCRIPTION	REFERENCE DESIGNATION	ITEM NO.
MATERIAL LIST				
NOTES UNLESS SPECIFIED		DRAWN	CHECK	APPR
1. TOLERANCES .XX ± .010 ANGULAR .XX ± .010 ± 1/2° 2. BREAK ALL SHARP EDGES 3/16 APPROX 3. HATCH SURFACES ✓ 4. ALL DIM. IN INCHES				
MODEL NO. 920		SDS SCIENTIFIC DATA SYSTEMS 1542 FIFTEENTH STREET SANTA MONICA, CALIFORNIA		
NEXT ASSY.		TITLE DIAGRAM, LOGIC COMPUTER		
		SIZE D	DWG NO. 101701	
		SCALE	DO NOT SCALE DRAWING	SHEET

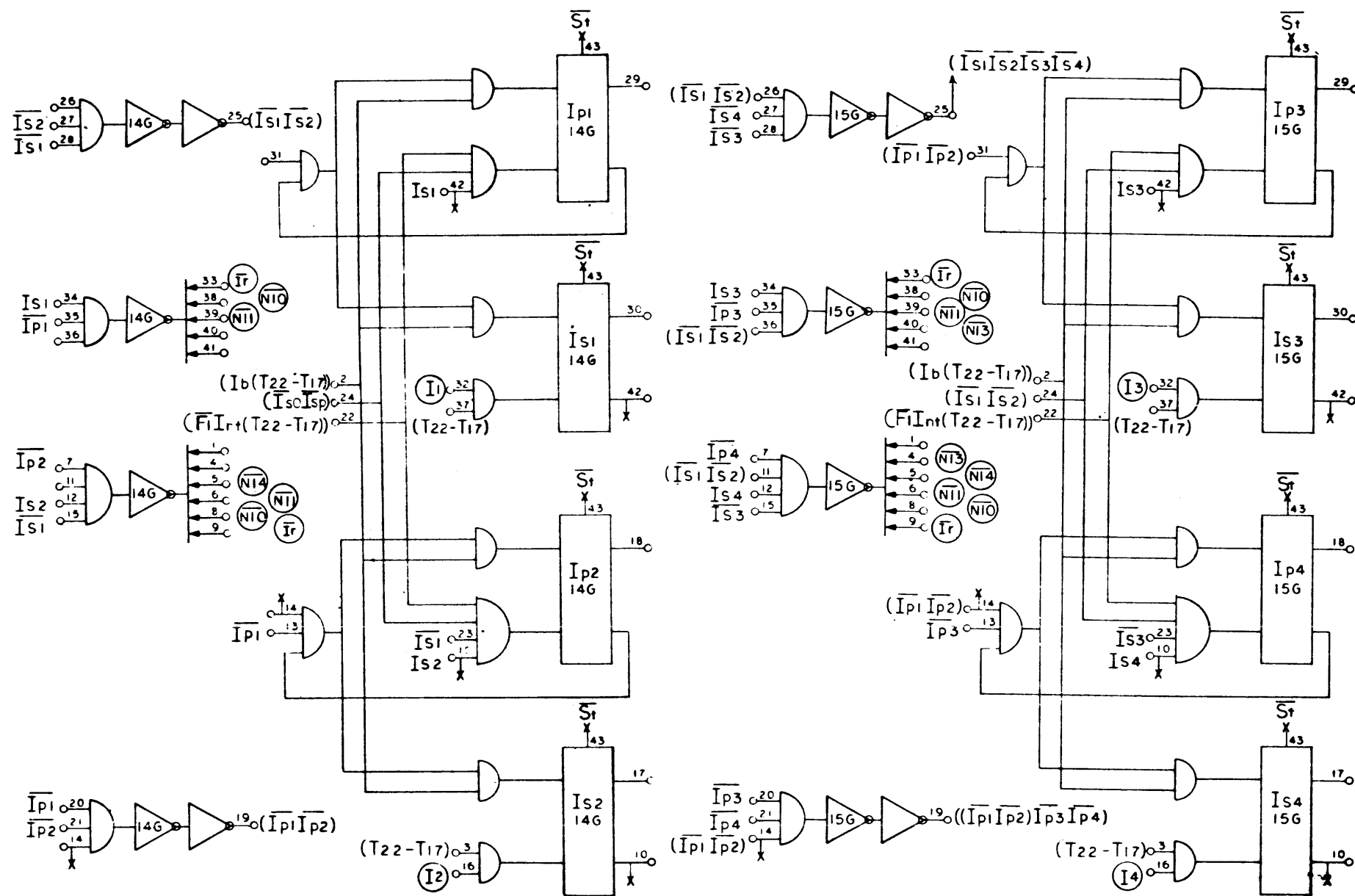
REVISIONS				101701	F
REV	DESCRIPTION	CHK	DATE	APPROVED	
A	RELEASED TO MFG				
D	SEE REV E.O.				
F	SEE REV E.O.				



920
Page 115
F

NO. REG.	DRAWING NO.	DESCRIPTION	REFERENCE DESIGNATION	ITEM NO.
MATERIAL LIST				
NOTES UNLESS SPECIFIED		DRAWN	SDS SCIENTIFIC DATA SYSTEMS 1925 FIFTEENTH STREET SANTA MONICA CALIFORNIA	
1 TOLERANCES XX ± 0.00 ANGULAR XX ± 0.10		CHECK	TITLE DIAGRAM, LOGIC COMPUTER	
2 BREAK ALL SHARP EDGES 0.10 APPROX		APPR		
3 HATCH SURFACES ✓				
4 ALL DIM. IN INCHES				
MODEL NO.	920	SIZE	DWG NO.	F
NEXT ASSY.		D	101701	
SCALE		DO NOT SCALE DRAWING SHEET		

REVISIONS			
REV	DESCRIPTION	CHK	DATE
A	RELEASED TO MFG		
G	SEE REVISION E.O.		

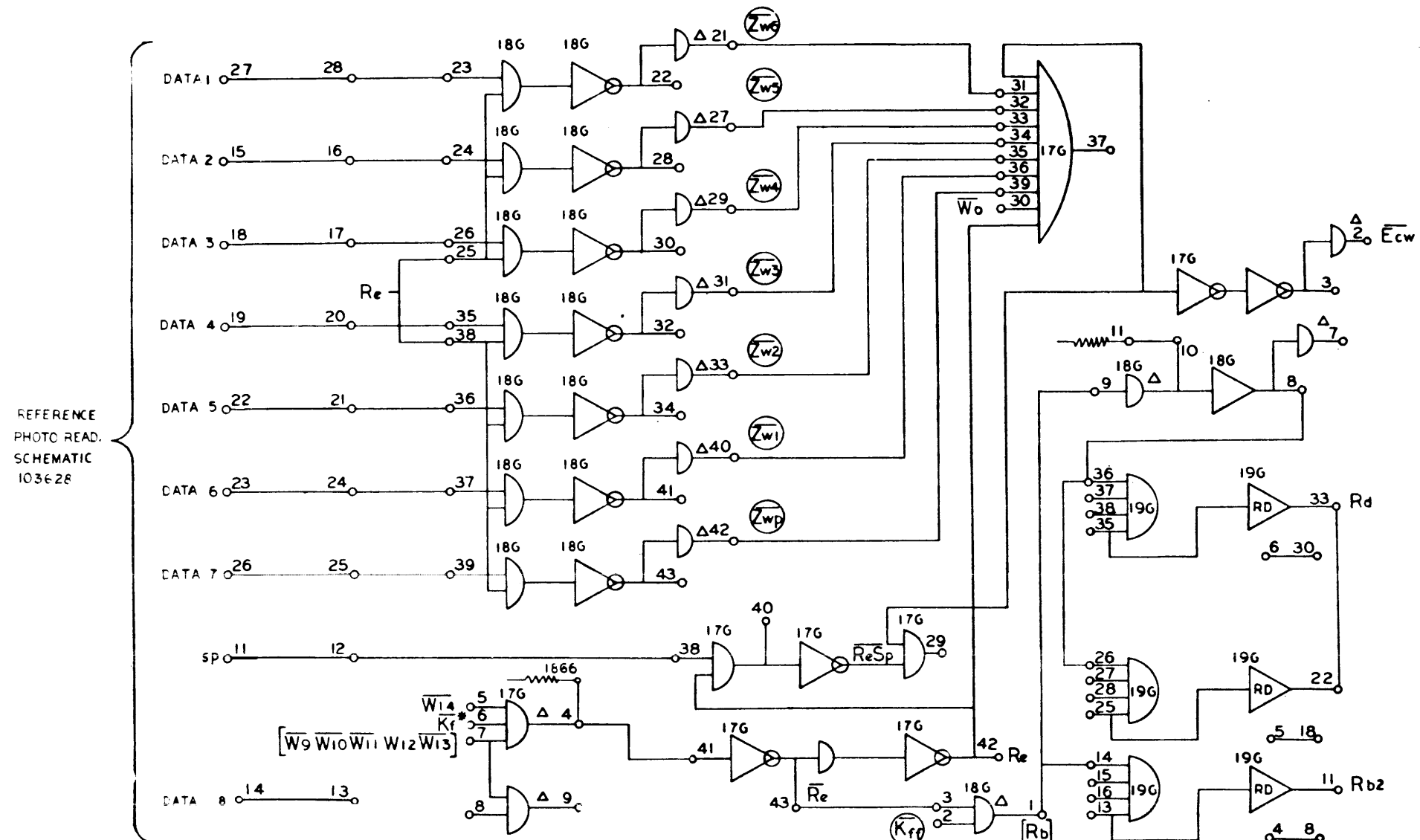


910-920
Priority Interrupt
PAGE 116
G

101701 G

NO. REQ.	DRAWING NO.	DESCRIPTION	REFERENCE DESIGNATION	ITEM NO.
MATERIAL LIST				
NOTES UNLESS SPECIFIED: 1. TOLERANCES: XX ± 0.30 ANGULAR .XX ± 0.10 ± 1° 2. BREAK ALL SHARP EDGES 3. DIM APPROX 4. HATCH SURFACES 5. ALL DIM. IN INCHES				
DRAWN: [Signature] CHECK: [Signature] APPR: [Signature]		SDS SCIENTIFIC DATA SYSTEMS 1545 FIFTEENTH STREET, SANTA MONICA, CALIFORNIA		
MODEL NO. 920 NEXT ASSY.		TITLE: DIAGRAM, LOGIC COMPUTER SIZE: D DWG. NO.: 101701 SHEET: 13		
SCALE:		DO NOT SCALE DRAWING		SHEET:

REVISIONS		DATE	APPROVED
REV	DESCRIPTION	CHEK	APPROVED
A	RELEASED TO MFG		
F	SEE REV. E.O.		
K	SEE REV E.O.		



Photocell 17G10 - Par
Reference
Reader Relay 19G40
Drive Common COMMON

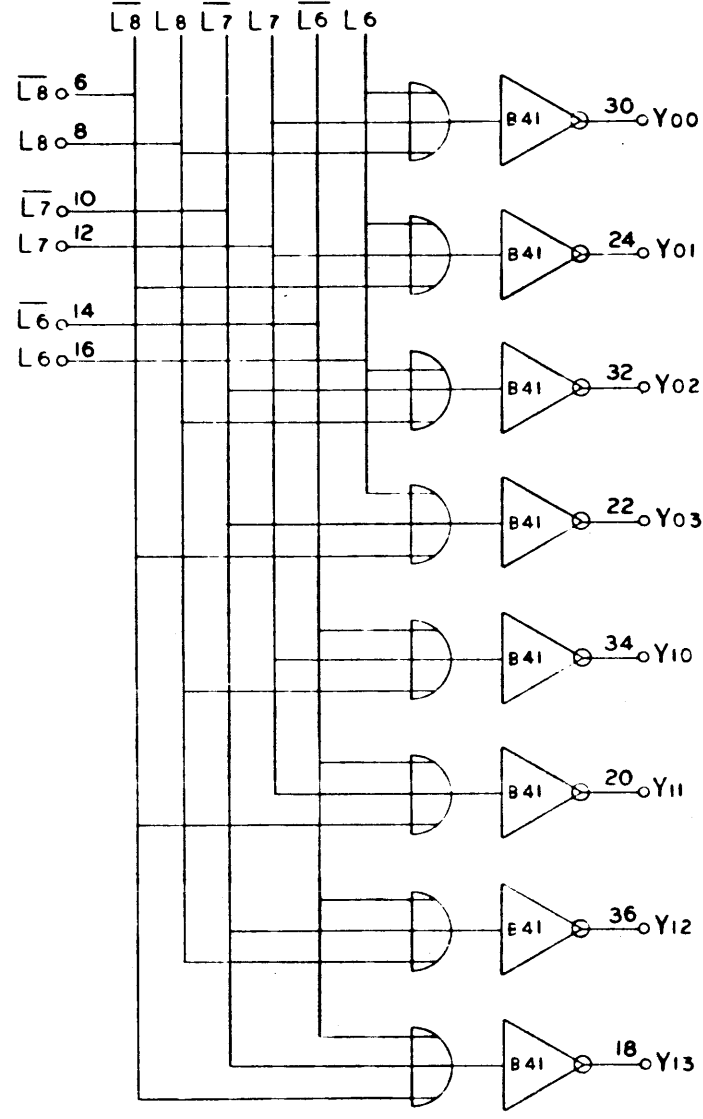
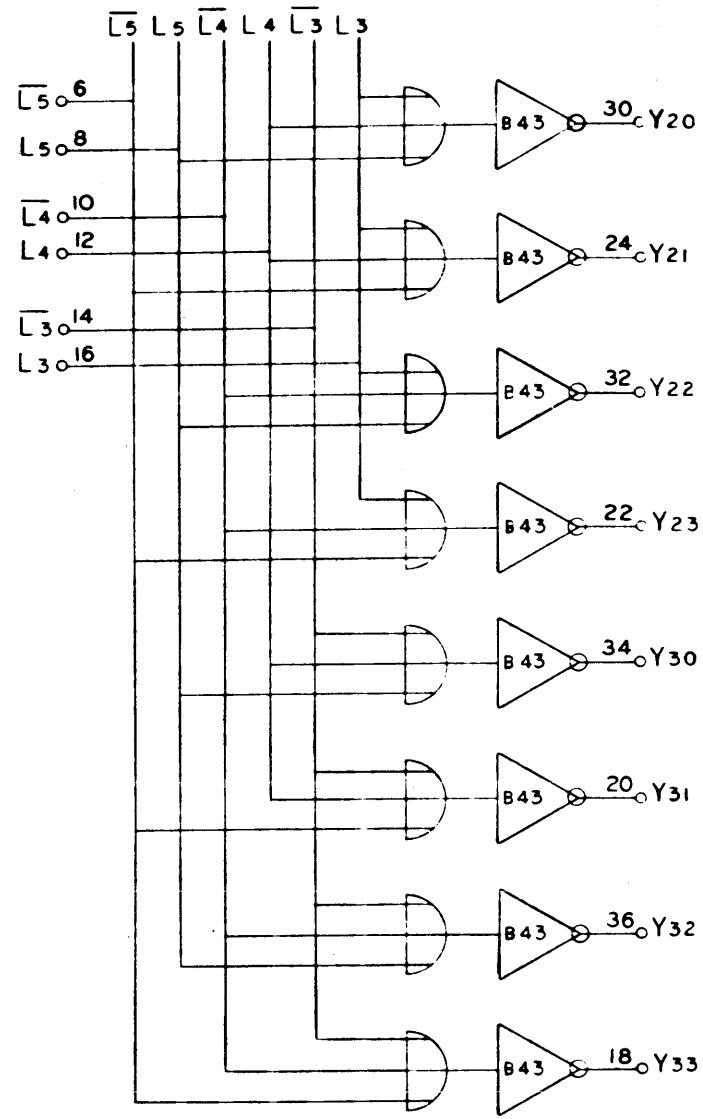
$$E_{cw} = \overline{Zw1} \overline{Zw2} \overline{Zw3} \overline{Zw4} \overline{Zw5} \overline{Zw6} \overline{Zwp} \overline{Wo} Re + (\overline{ReSp})$$

$$\therefore E_{cw} = (Zw1 + Zw2 + Zw3 + Zw4 + Zw5 + Zw6 + Zwp + Wo + \overline{Re}) (\overline{ReSp})$$

910-920
Photo Reader
PAGE 117
K

NO. REG	DRAWING NO.	DESCRIPTION	REFERENCE DESIGNATION	ITEM NO.
MATERIAL LIST				
NOTES UNLESS SPECIFIED		DRAWN	CHECK	APPR.
1. TOLERANCES XX ± .000 ANGULAR SEE 2.010 ± .1°				
2. BREAK ALL SHARP EDGES Ø10 APPROX				
3. MACH SURFACES ✓				
4. ALL DIM. IN DECIMALS				
MODEL NO. 920		SDS SCIENTIFIC DATA SYSTEMS 1542 FIFTEENTH STREET SANTA MONICA CALIFORNIA		TITLE DIAGRAM LOGIC COMPUTER
NEXT ASSY.		SIZE D	DWG NO. 101701	K
SCALE		DO NOT SCALE DRAWING		SHEET

REVISIONS			
REV	DESCRIPTION	CHK	DATE
1	RELEASED TO MFG		1/13/62

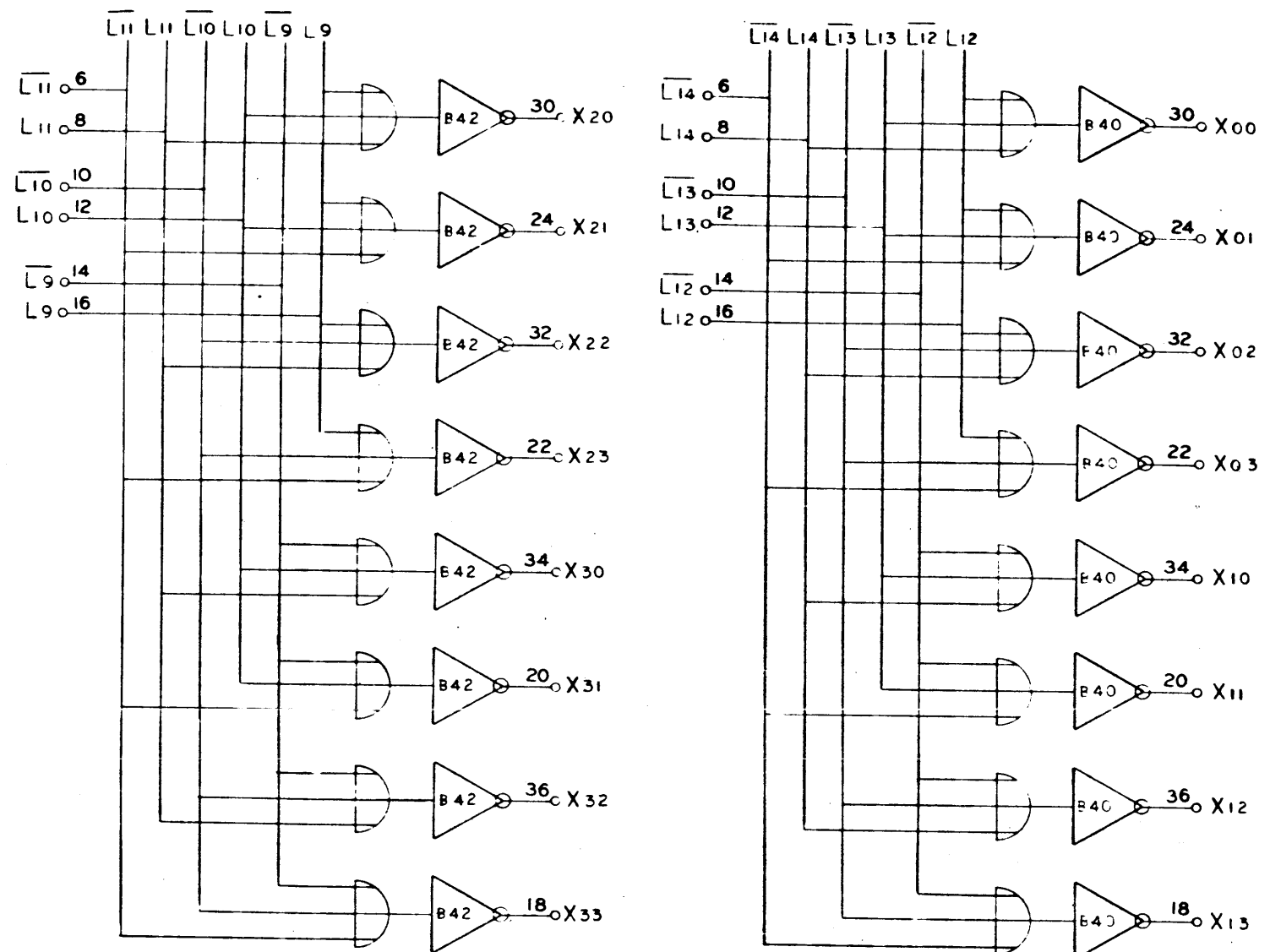


Address Decode
910-920
Page 118

NO. REQ.	DRAWING NO.	DESCRIPTION	REFERENCE DESIGNATION	ITEM NO.
MATERIAL LIST				
NOTES UNLESS SPECIFIED		DRAWN	SDS SCIENTIFIC DATA SYSTEMS 1742 FIFTEENTH STREET, SANTA MONICA, CALIFORNIA TITLE DIAGRAM, LOGIC COMPUTER	
1 TOLERANCES 25 ± .030 ANGULAR 25 ± .010		CHECK		
2 BREAK ALL SHARP EDGES 0.10 APPROX 3 MACH SURFACES 4 ALL DIM. IN INCHES		APPR		
MODEL NO.	920		SIZE	DWG NO.
NEXT ASSY.			D	101701 A
SCALE			DO NOT SCALE DRAWING	SHEET

101701A1

REVISIONS				
REV	DESCRIPTION	CHE	DATE	APPROVED
A	RELEASED TO MFG		12/13/62	J. C. C. / J. C. C.

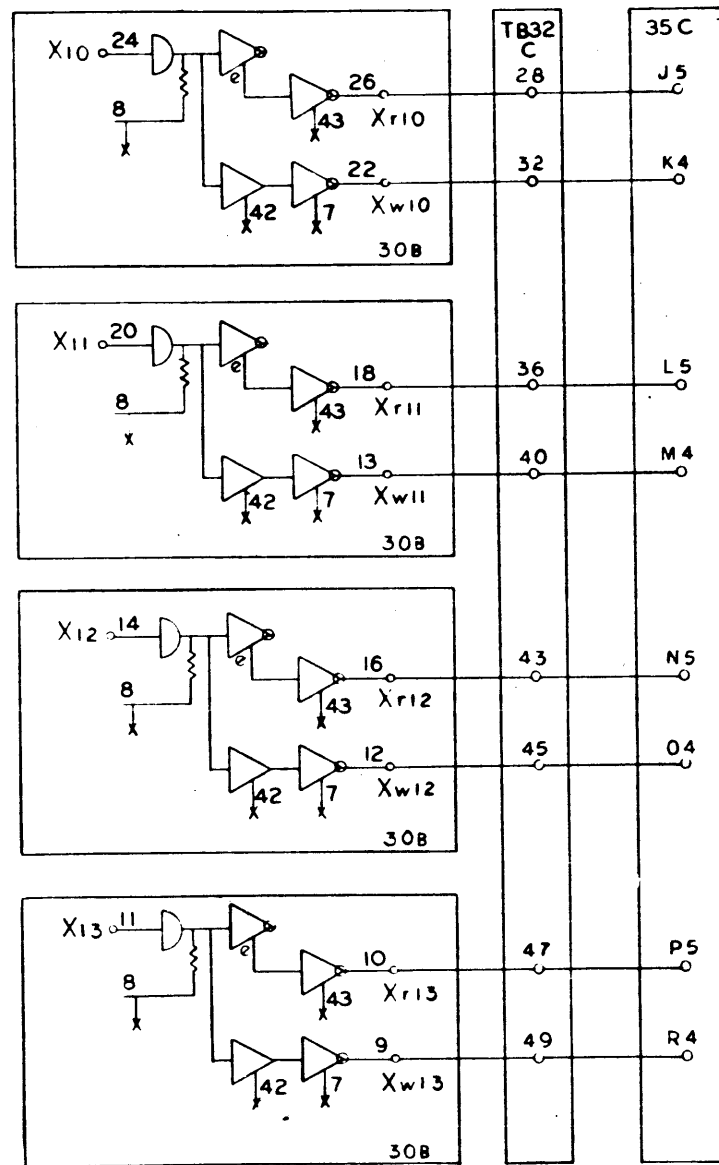
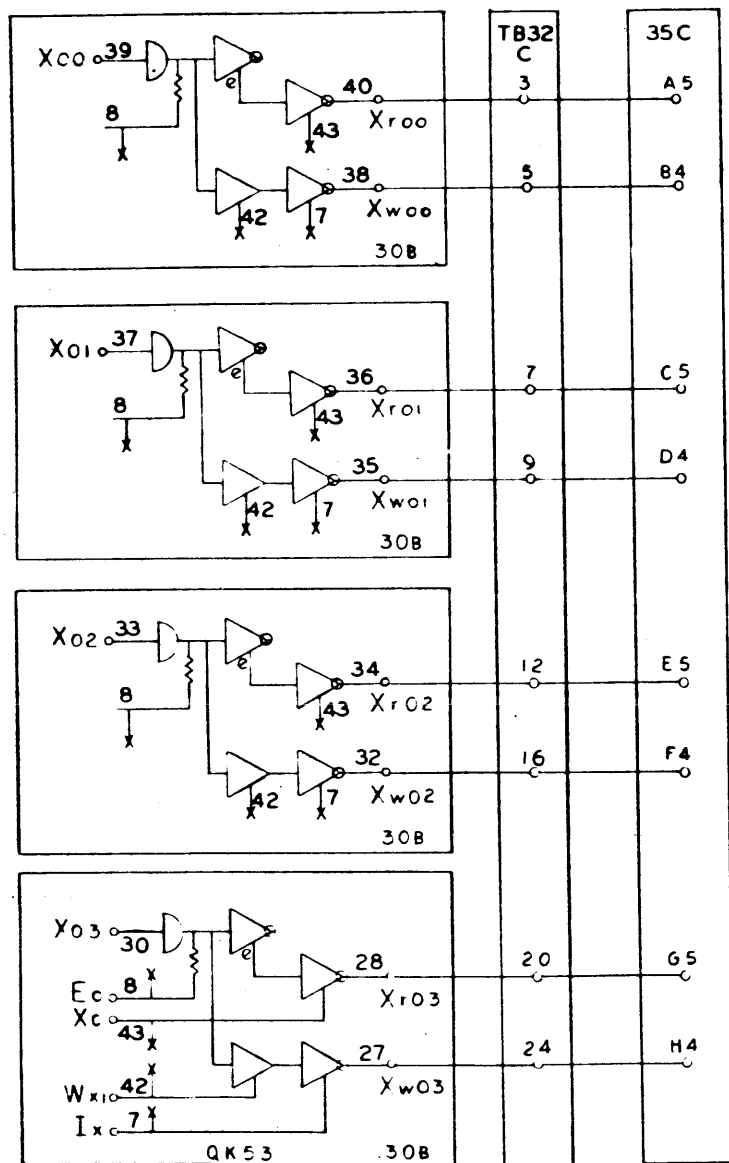


Address Decode
910-920
Page 119

101701 A

NO. REQ.	DRAWING NO.	DESCRIPTION	REFERENCE DESIGNATION	ITEM NO.
MATERIAL LIST				
NOTES UNLESS SPECIFIED		DRAWN	CHECK	DATE
1. TOLERANCES XX - .010 ANGULAR XXX - .010 ± 1/2°				11/12/62
2. BREAK ALL SHARP EDGES 0.10 APPROX		APPR.		11/17/62
3. MACH SURFACES ✓				
4. ALL DIM. IN INCHES				
MODEL NO. 920		SDS SCIENTIFIC DATA SYSTEMS 1542 FIFTEENTH STREET SANTA MONICA CALIFORNIA		TITLE
NEXT ASSY.		DIAGRAM, LOGIC COMPUTER		
		SIZE	DWG. NO.	ITEM NO.
		D	101701	A
		SCALE	DO NOT SCALE DRAWING	SHEET

REVISIONS				101701	C
REV	DESCRIPTION	CHK	DATE	APPROVED	
C	SEE REV E0				

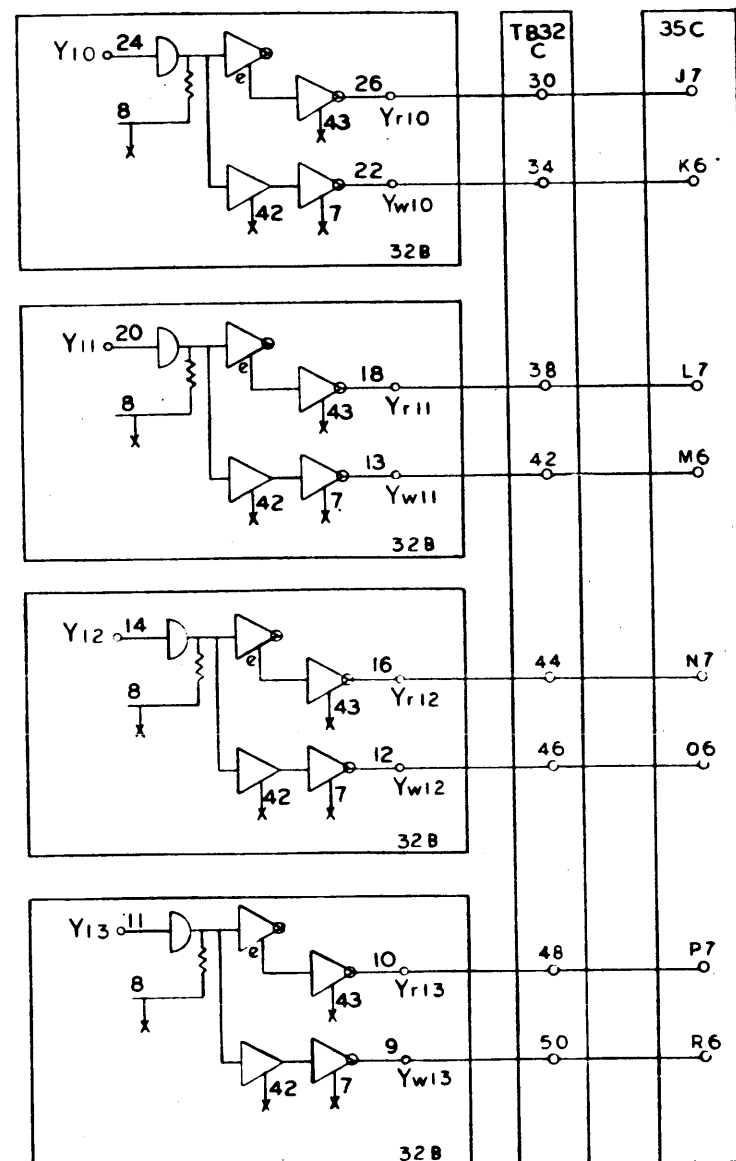
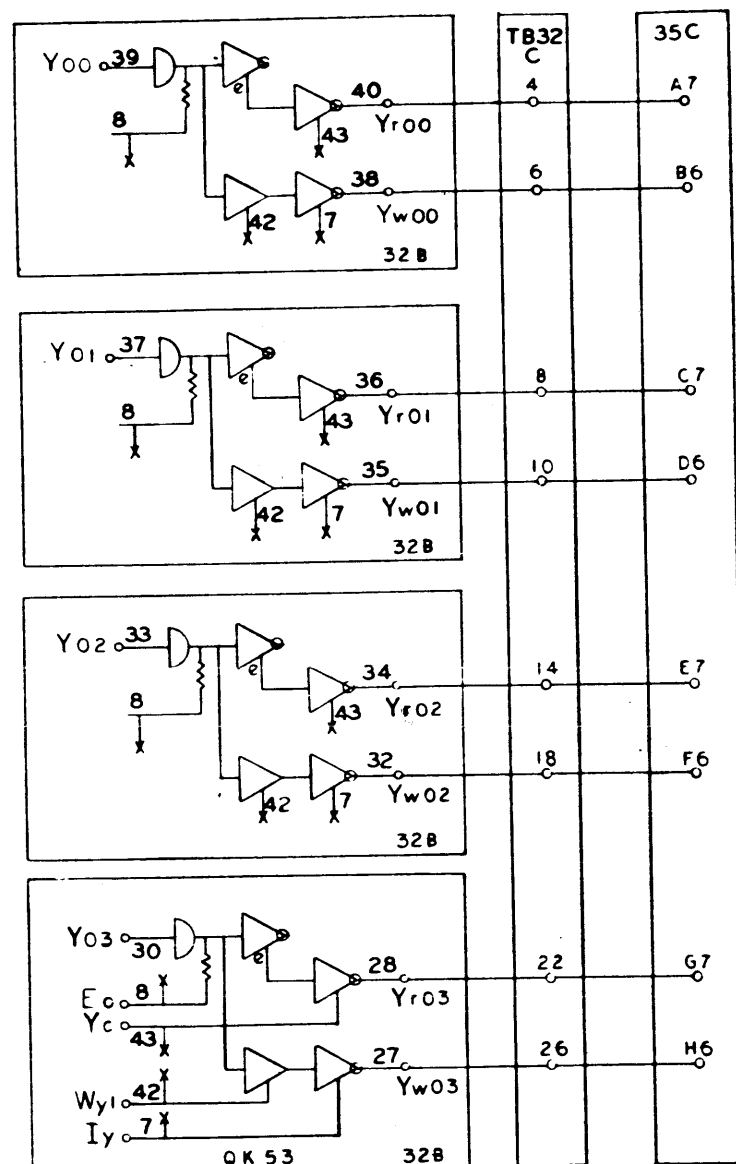


X-Y Selector
910-920
Page 120
C

NO. REQ.	DRAWING NO.	DESCRIPTION	REFERENCE DESIGNATION	ITEM NO.
NOTES UNLESS SPECIFIED				
1. TOLERANCES XX - 0.00 XXX - 0.015		DRAWN JEF	DATE 1/10/63	SDS SCIENTIFIC DATA SYSTEMS 1542 FIFTEENTH STREET, SANTA MONICA, CALIFORNIA DIAGRAM, LOGIC COMPUTER
2. BREAK ALL SHARP EDGES DIO APPROX		CHECK JEF	DATE 1/14/63	
3. HATCH SURFACES 4. ALL DIM IN INCHES		APPR JEF		
MODEL NO. 920		SIZE D		
NEXT ASSY.		DWG NO. 101701		C
SCALE			DO NOT SCALE DRAWING	SHEET

101701 | C |

REVISIONS				101701	C
REV	DESCRIPTION	CHK	DATE	APPROVED	
C	SEE REV. E.O.				

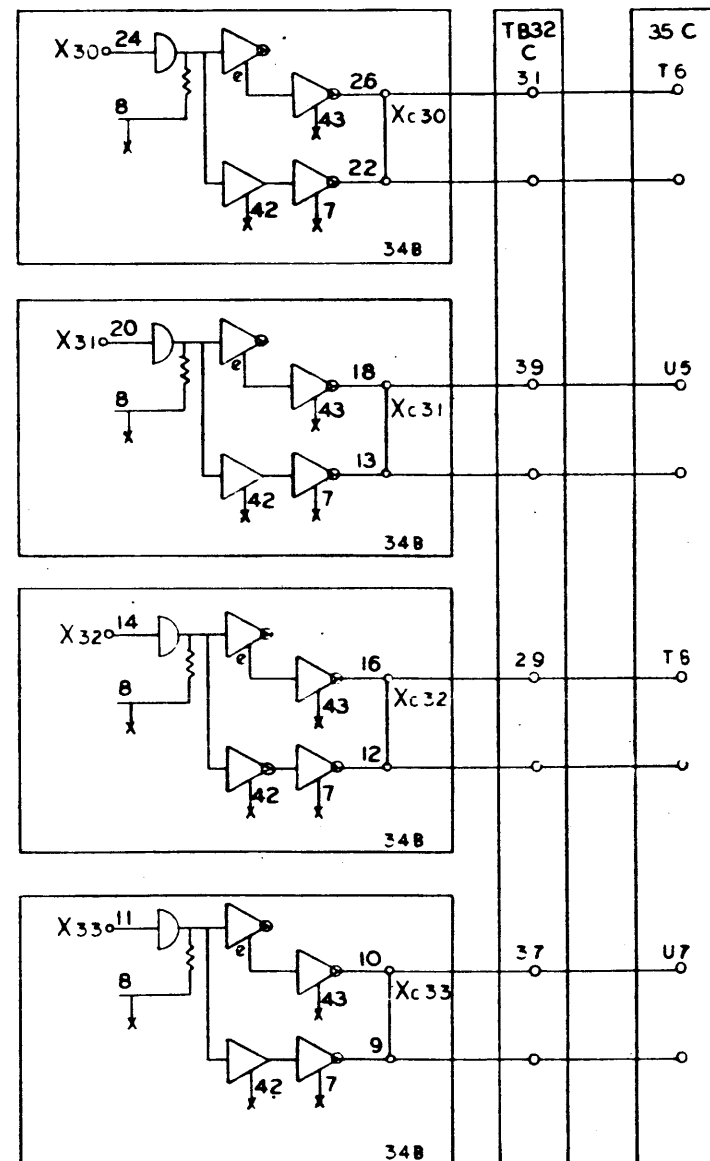
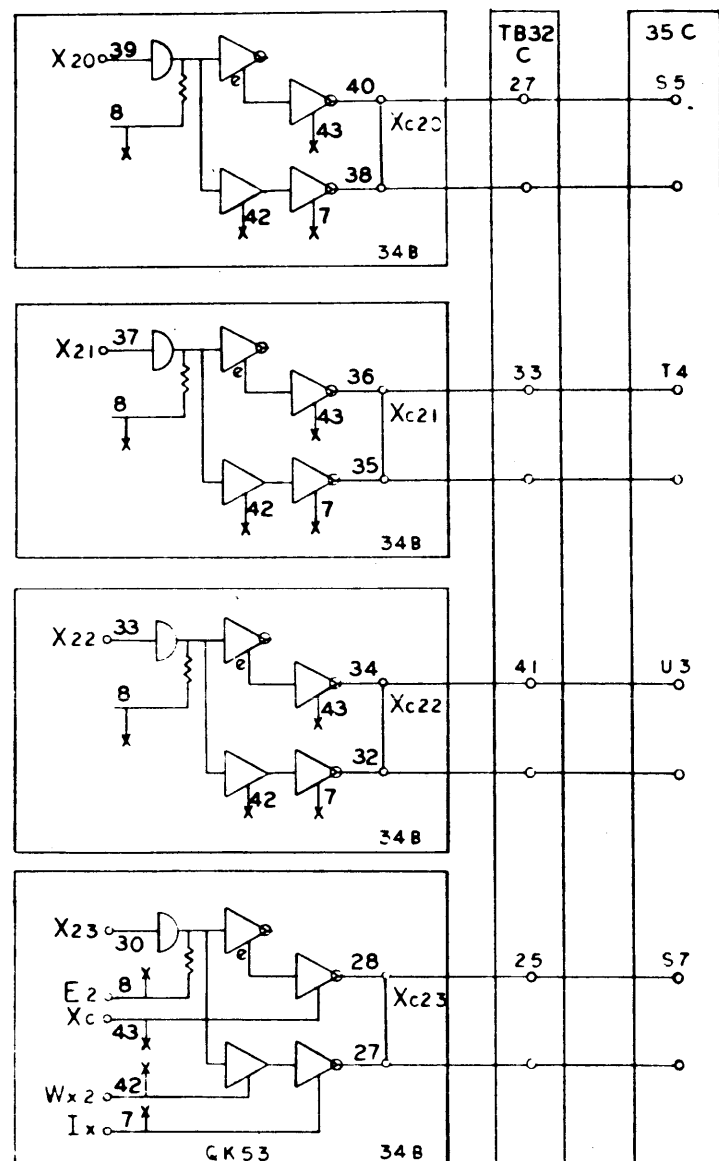


X-Y Selector
910-920
Page 121
C

NO. REQ.	DRAWING NO.	DESCRIPTION	REFERENCE DESIGNATION	ITEM NO.
NOTES UNLESS SPECIFIED				
1. TOLERANCES		DRAWN	D.F.T.	1/16 1/32
25 - .000		CHECK		1/16 1/32
ANGULAR		APPR		1/8 1/16
REF. - .010				
MATERIAL LIST				
2. BREAK ALL SHARP EDGES .010 APPROX				
3. MACH SURFACES ✓				
4. ALL DIM. IN INCHES				
MODEL NO.		TITLE		
920		DIAGRAM, LOGIC COMPUTER		
NEXT ASSY.		SIZE	DWG NO.	C
		D	101701	
		SCALE	DO NOT SCALE DRAWING	SHEET

101701 | C |

REVISIONS			101701	C
REV	DESCRIPTION	CHK	DATE	APPROVED
C	SEE REV. E.O.		1/17/63	<i>[Signature]</i>

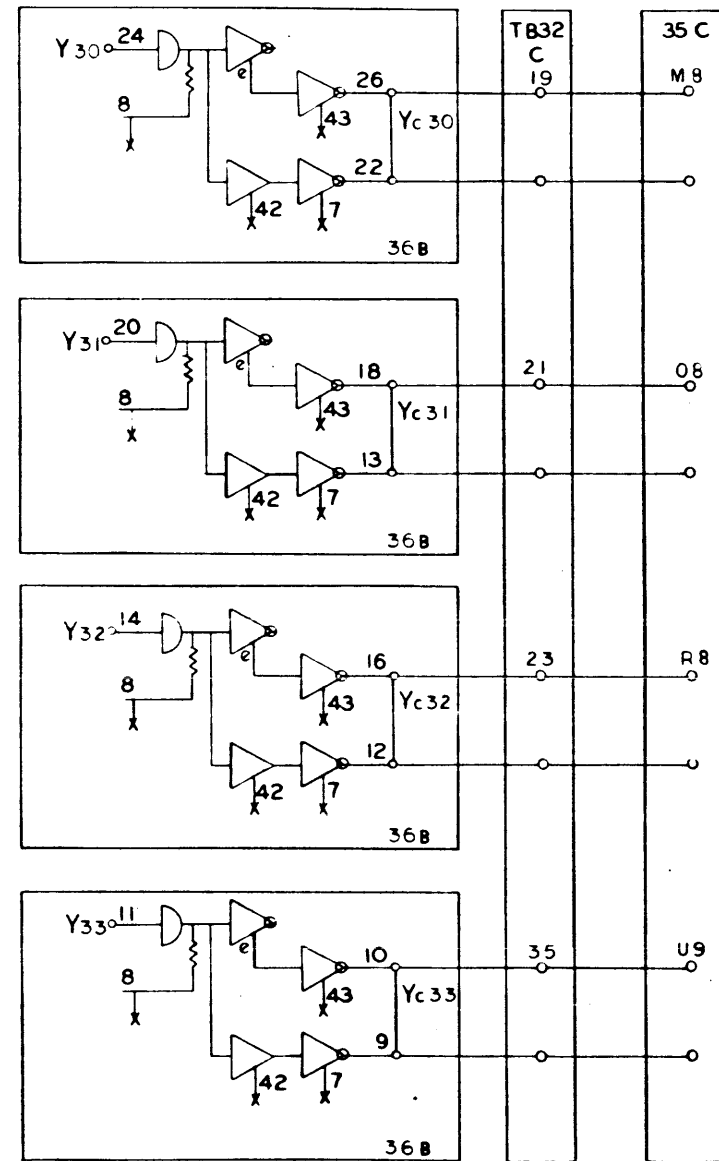
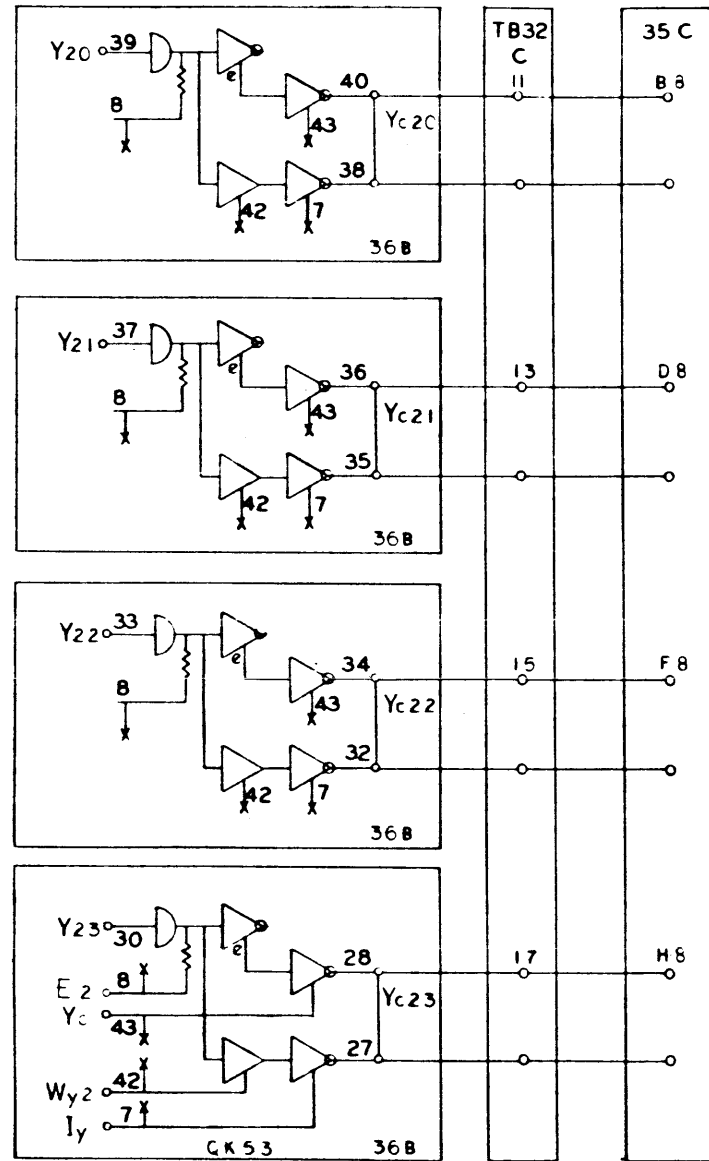


X-Y Selector
 910-920
 Page 122
 C

NO. REQ.	DRAWING NO.	DESCRIPTION	REFERENCE DESIGNATION	ITEM NO.
NOTES UNLESS SPECIFIED				
1. TOLERANCES XX : 0.00 ANGLUAR X : 0.010		DRAWN <i>D.F.T.</i>	MATERIAL LIST	
2. BREAK ALL SHARP EDGES 0.10 APPROX		CHECK <i>[Signature]</i>	TITLE	
3. MACH SURFACES ✓		APPR <i>[Signature]</i>	SDS SCIENTIFIC DATA SYSTEMS 1542 FIFTEENTH STREET SANTA MONICA CALIFORNIA	
4. ALL DIM IN INCHES		DIAGRAM, LOGIC COMPUTER		
MODEL NO.	920	SIZE	DWG NO.	C
NEXT ASSY		SCALE	D 101701	
			DO NOT SCALE DRAWING	SHEET

101701 C1

REVISIONS				101701	C
REV	DESCRIPTION	CHR	DATE	APPROVED	
C	SEE REV. E.O.		1/17	<i>ALC</i>	

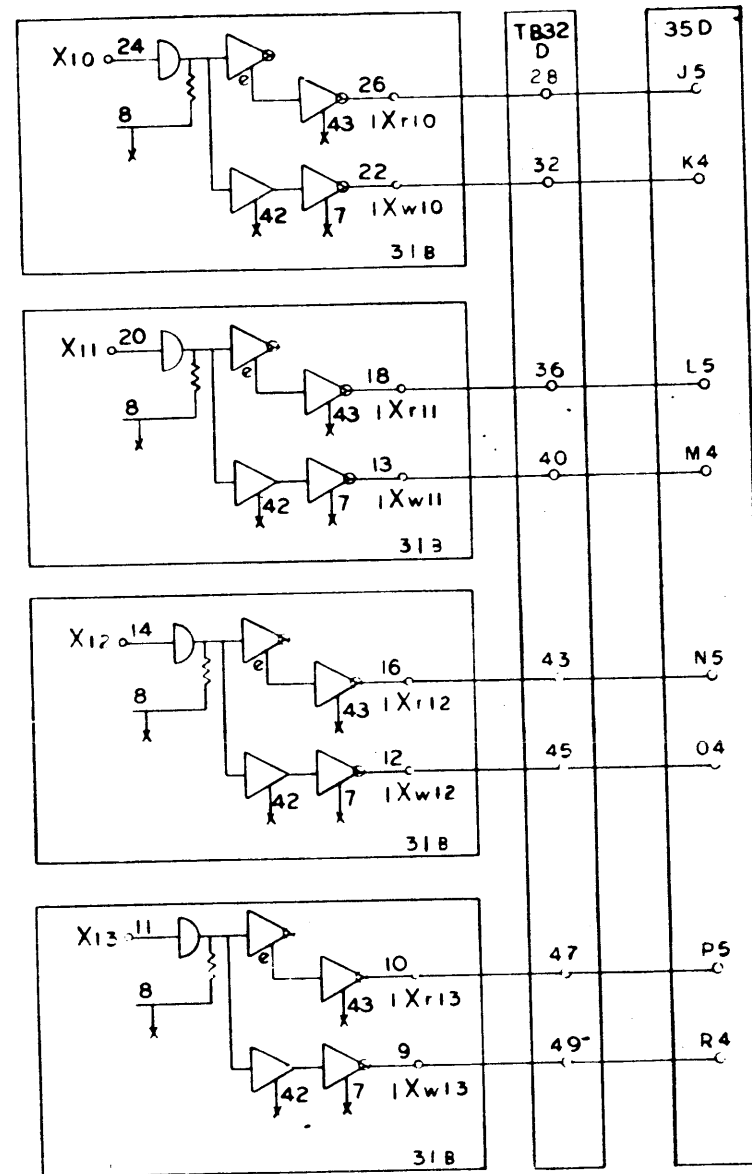
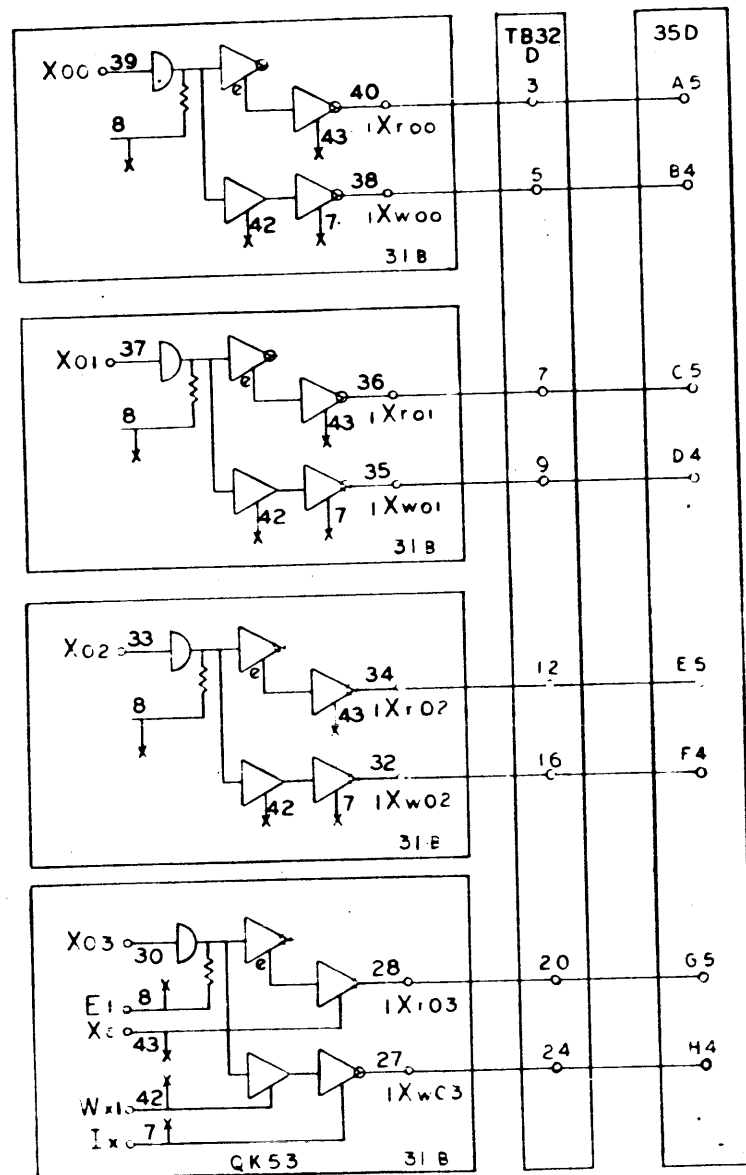


X-Y Selector
910-920
Page 123
C

NO	DRAWING NO.	DESCRIPTION	REFERENCE DESIGNATION	ITEM NO.
NOTES UNLESS SPECIFIED				
1. TOLERANCES XX ± .030 ANGULAR XXX ± .010		2. BREAK ALL SHARP EDGES C"= APPROX	3. MACH SURFACES ✓	4. ALL DIM IN INCHES
DRAWN <i>D.F.T.</i> 1/15/63		CHECK <i>[Signature]</i> 1/17/63	APPR <i>[Signature]</i> 1/17/63	TITLE
MODEL NO. 920		SIZE D		DWS NO. 101701
NEXT ASSY.		SCALE		DO NOT SCALE DRAWING SHEET
MATERIAL LIST			SDS SCIENTIFIC DATA SYSTEMS 1742 FIFTEENTH STREET, SANTA MONICA, CALIFORNIA	
			DIAGRAM, LOGIC COMPUTER	

101701 C1

REVISIONS			101701
REV	DESCRIPTION	CHK	DATE
C	SEE REV. E.O.		

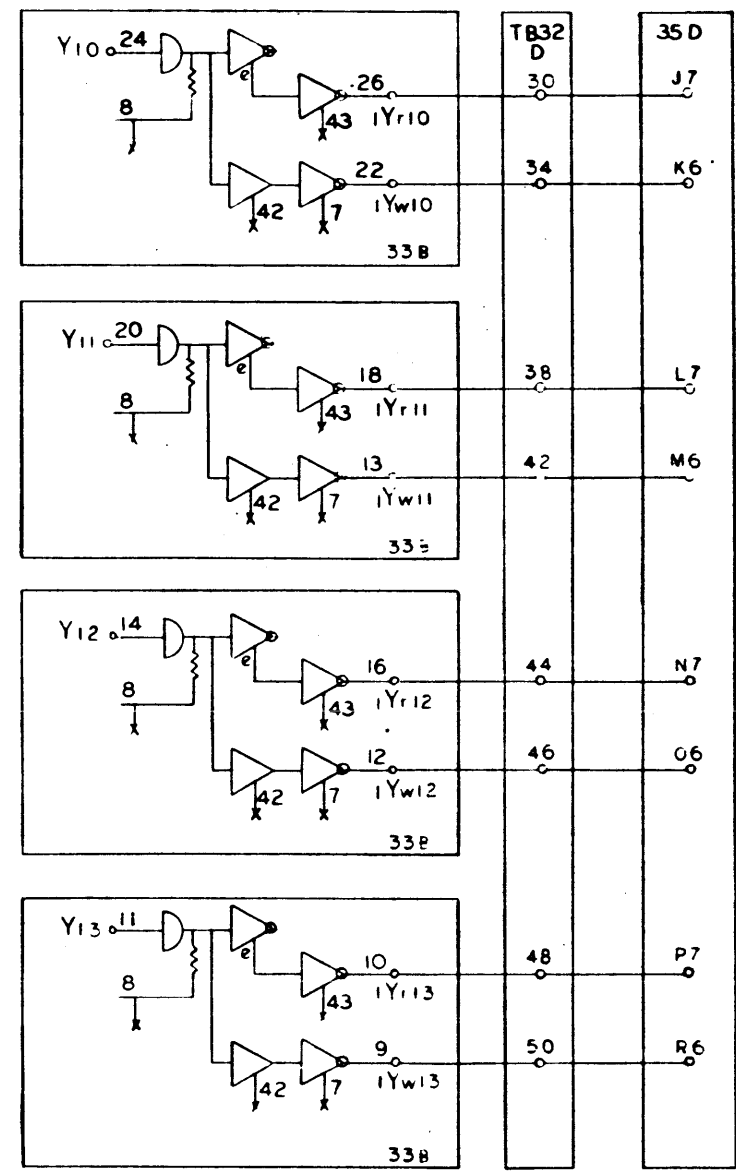
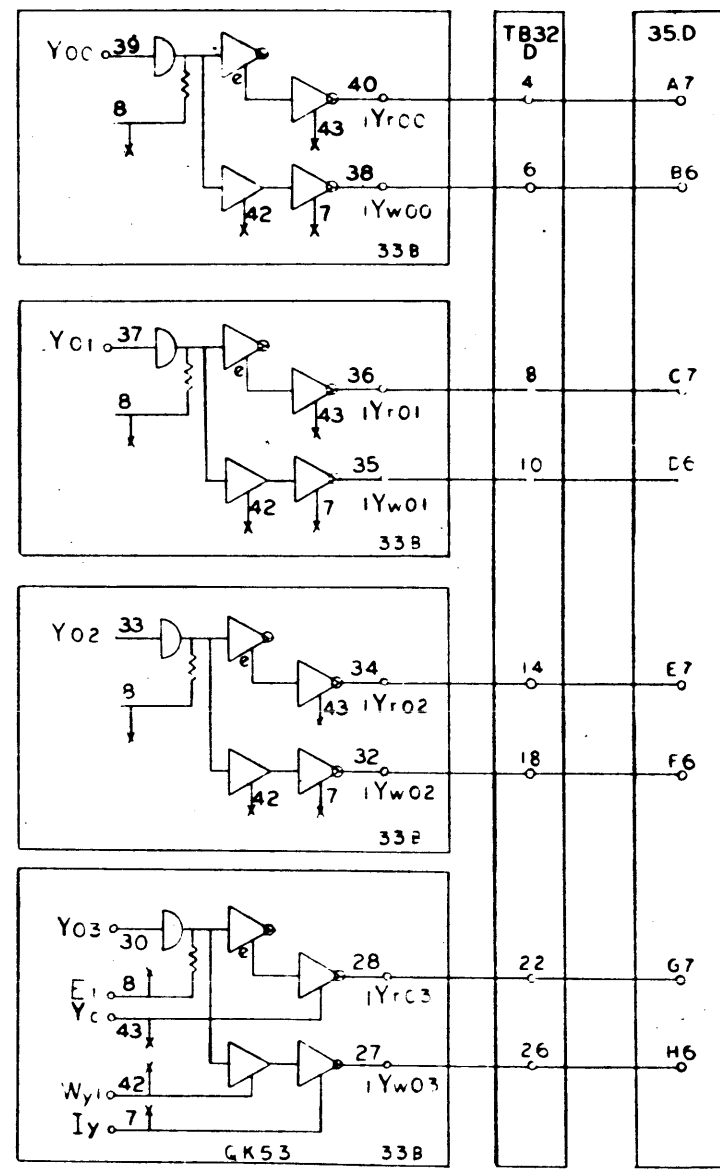


X-Y Selector
 910-920
 Page 124
 C

NO. REQ.	DRAWING NO.	DESCRIPTION	REFERENCE DESIGNATION	ITEM NO.
MATERIAL LIST				
NOTES UNLESS SPECIFIED		DRAWN: JFT	1/15/63	
1. TOLERANCES: .001 ± .000 ANGULAR ± 1/2°		CHECK: JH	1/17/63	
2. BREAK ALL SHARP EDGES .010 APPROX		APPR: JH	1/18/63	
3. MACH SURFACES ✓				
4. ALL DIM. IN INCHES				
MODEL NO. 920		SDS SCIENTIFIC DATA SYSTEMS 1542 24TH STREET, SANTA MONICA, CALIFORNIA		
NEXT ASSY.		TITLE DIAGRAM, LOGIC COMPUTER		
		SIZE: D	DWG. NO.: 101701	C
		SCALE: DO NOT SCALE DRAWING	SHEET	

101701 C

REVISIONS				101701	C
REV	DESCRIPTION	CHK	DATE	APPROVED	
C	SEE REV. E.O.	N	1/17	1/17	

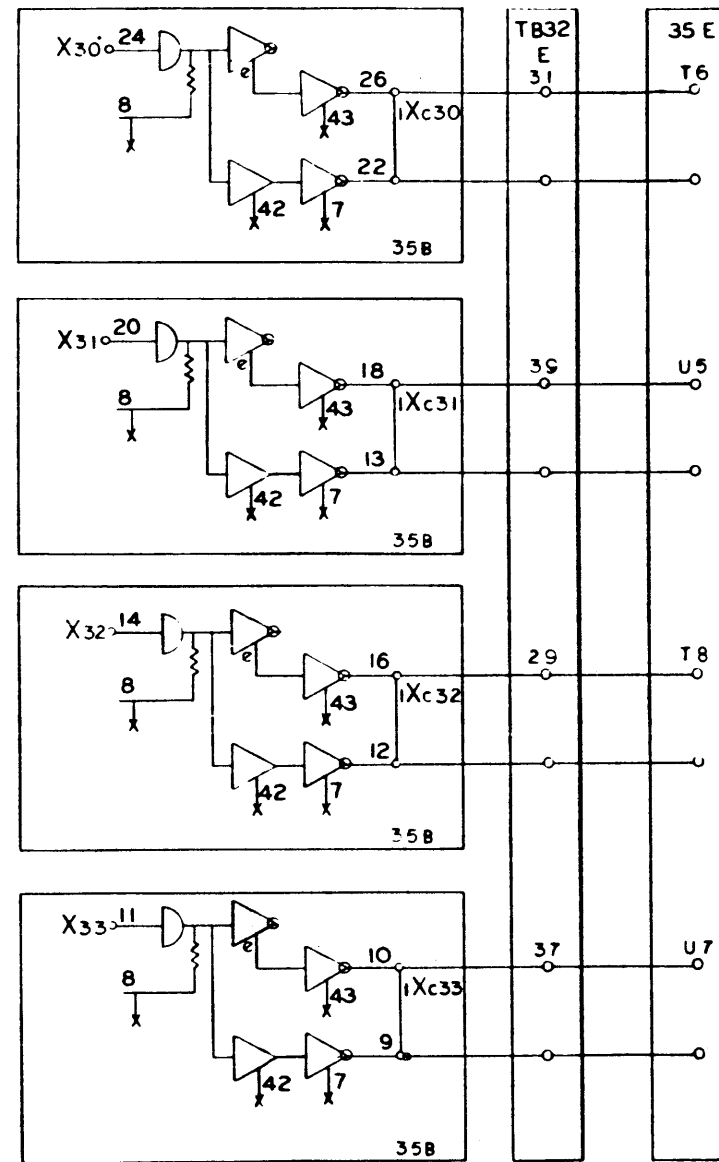
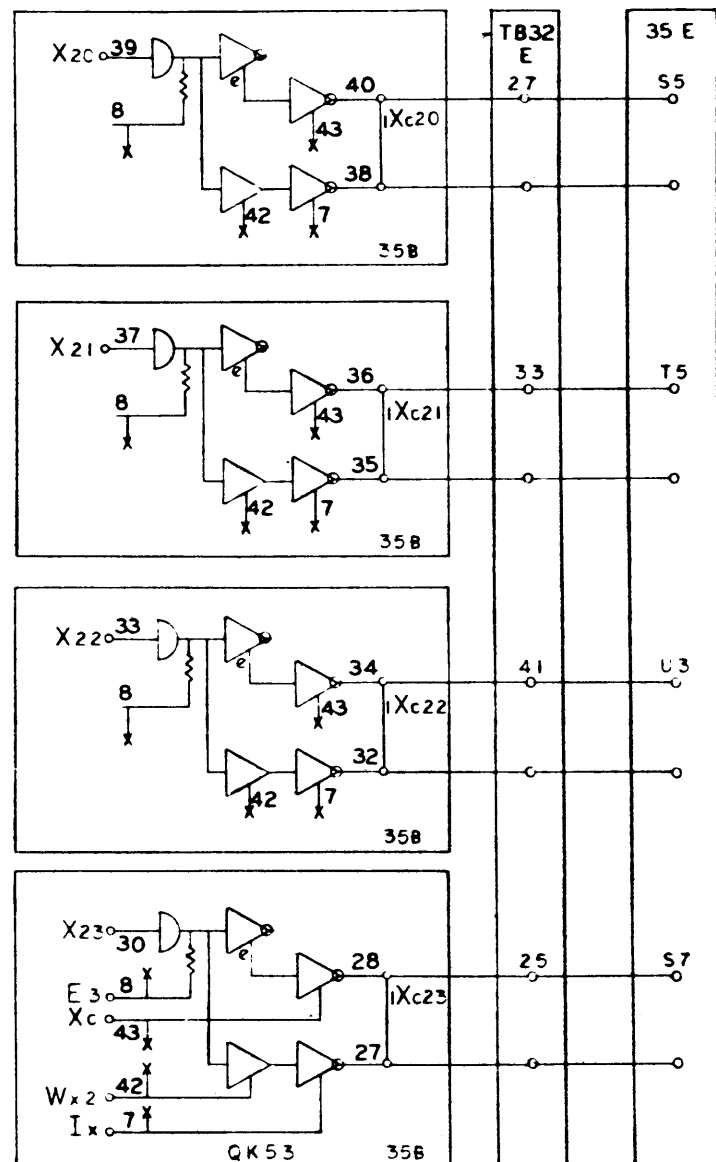


X-Y Selector
910-920
Page 125
C

NO. REQ.	DRAWING NO.	DESCRIPTION	REFERENCE DESIGNATION	ITEM NO.
MATERIAL LIST				
NOTES UNLESS SPECIFIED: 1. TOLERANCES: XX ± .030 ANGULAR ± 1/2° XX ± .010 2. BREAK ALL SHARP EDGES .010 APPROX 3. MACH SURFACES ✓ 4. ALL DIM. IN INCHES				
DRAWN: DFT 1/18/63		SDS SCIENTIFIC DATA SYSTEMS 1502 FIFTEENTH STREET, SANTA MONICA, CALIFORNIA		
CHECK: [Signature] 1/17/63		TITLE DIAGRAM, LOGIC COMPUTER		
APPR: [Signature] 1/18/63				
MODEL NO. 920		REV. D	DWG NO. 101701	C
NEXT ASSY.		SCALE	DO NOT SCALE DRAWING	SHEET

101701 | C |

REV		DESCRIPTION		CHK	DATE	APPROVED
C		SEE REV. E.O.				

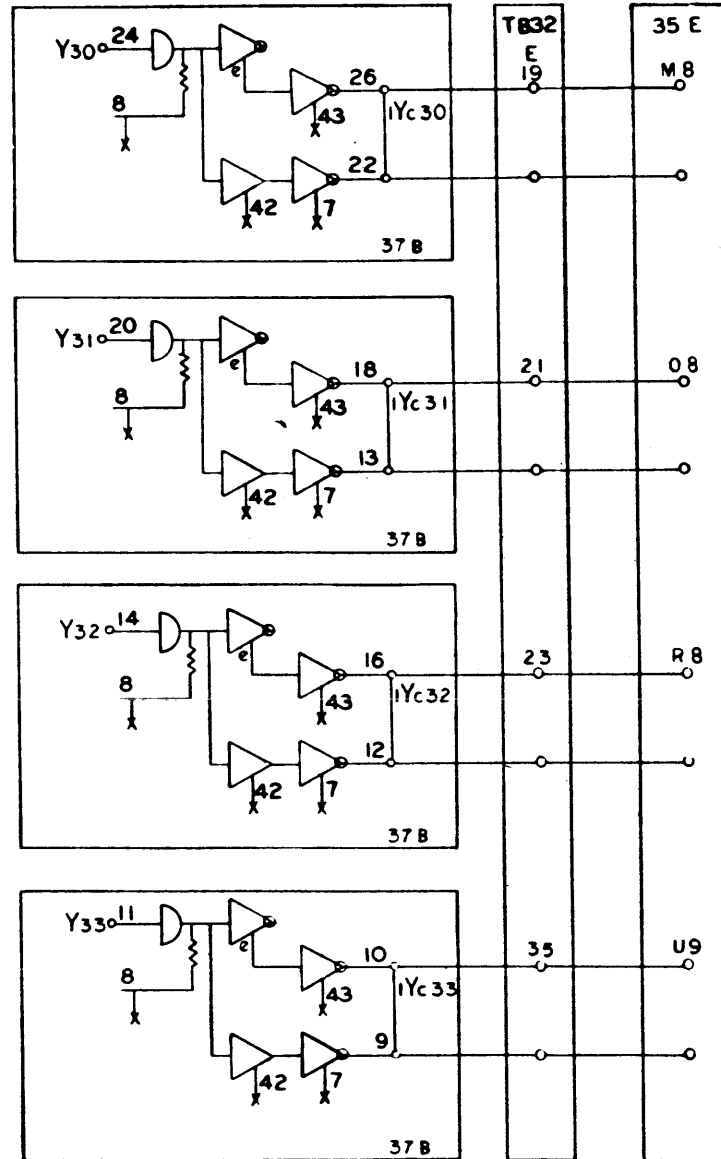
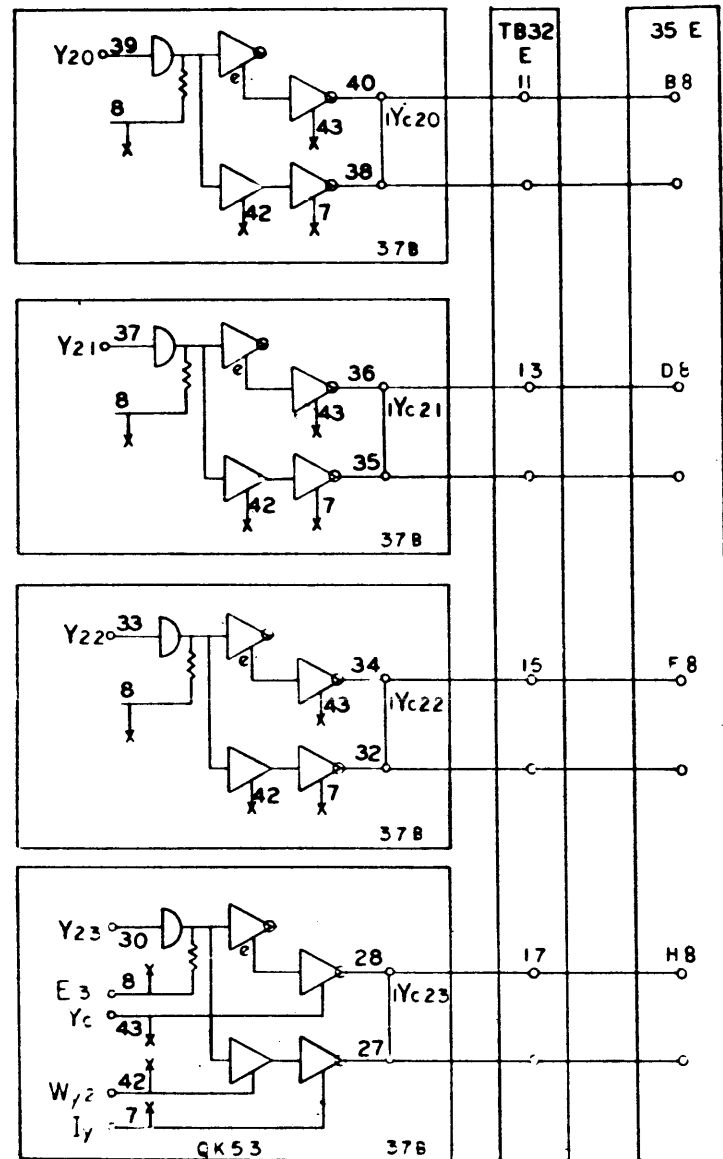


X-Y Selector
 910-920
 Page 126
 C

NO. REQ.	DRAWING NO.	DESCRIPTION	REFERENCE DESIGNATION	ITEM NO.
MATERIAL LIST				
NOTES UNLESS SPECIFIED 1. TOLERANCES 28 - .030 ANGLULAR 32 - .010 2. BREAK ALL SHARP EDGES .010 APPROX 3. MACH. SURFACES ✓ 4. ALL DIM. IN INCHES		DRAWN: D.E.T. 1/1/63 CHECK: J.H. 1/1/63 APPR: A. L. 1/18/63	SDS SCIENTIFIC DATA SYSTEMS 1542 FIFTEENTH STREET, SANTA MONICA, CALIFORNIA	
MODEL NO. 920 NEXT ASSY.		TITLE: DIAGRAM, LOGIC COMPUTER SIZE: D DWG. NO.: 101701 SHEET: C		
SCALE		DO NOT SCALE DRAWING SHEET		

101701 (C)

REVISIONS			101701	C
REV	DESCRIPTION	CHK	DATE	APPROVED
C	SEE REV. E.O.		1/1/63	

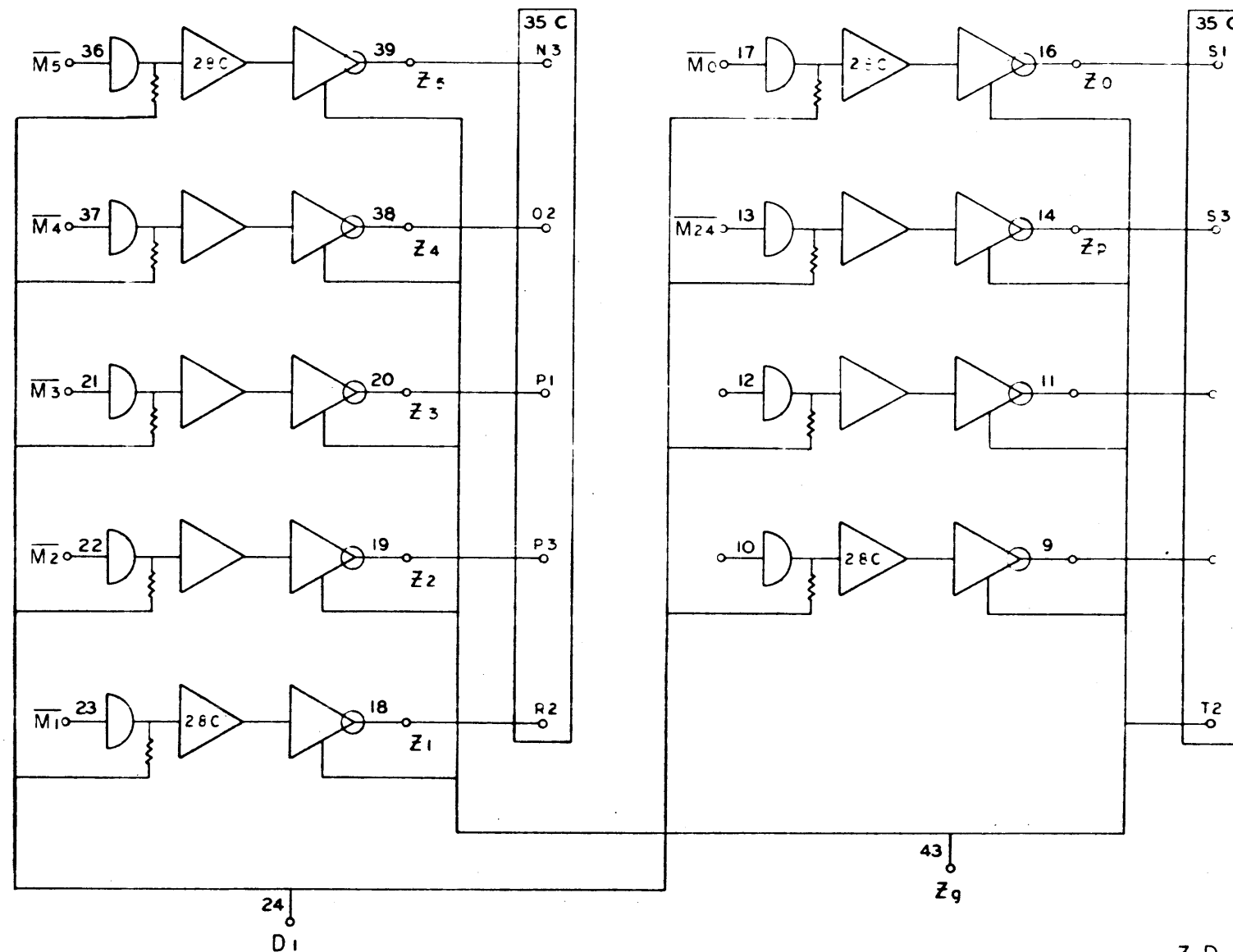


X-Y Selector
910-920
Page 127
C

NO. REV.	DRAWING NO.	DESCRIPTION	REFERENCE DESIGNATION	ITEM NO.
MATERIAL LIST				
NOTES UNLESS SPECIFIED		DRAWN: DFT 1/15/63	SDS SCIENTIFIC DATA SYSTEMS 1525 FIFTEENTH STREET, SANTA MONICA, CALIFORNIA	
1. TOLERANCES SEE 2-910 ANGULAR ±1°		CHECK: [Signature] 1/15/63		
2. BREAK ALL SHARP EDGES 0.10 APPROX		APPR: [Signature] 1-18-63		
3. MACH SURFACES ✓		TITLE DIAGRAM, LOGIC COMPUTER		
4. ALL DIM. IN INCHES				
MODEL NO.	920	SIZE	DWG NO.	C
NEXT ASSY.		SCALE	DO NOT SCALE DRAWING	SHEET

101701 | C |

REVISIONS				01701	A
REV	DESCRIPTION	CHK	DATE	APPROVED	
A	RELEASED TO MFG		11/13/62		

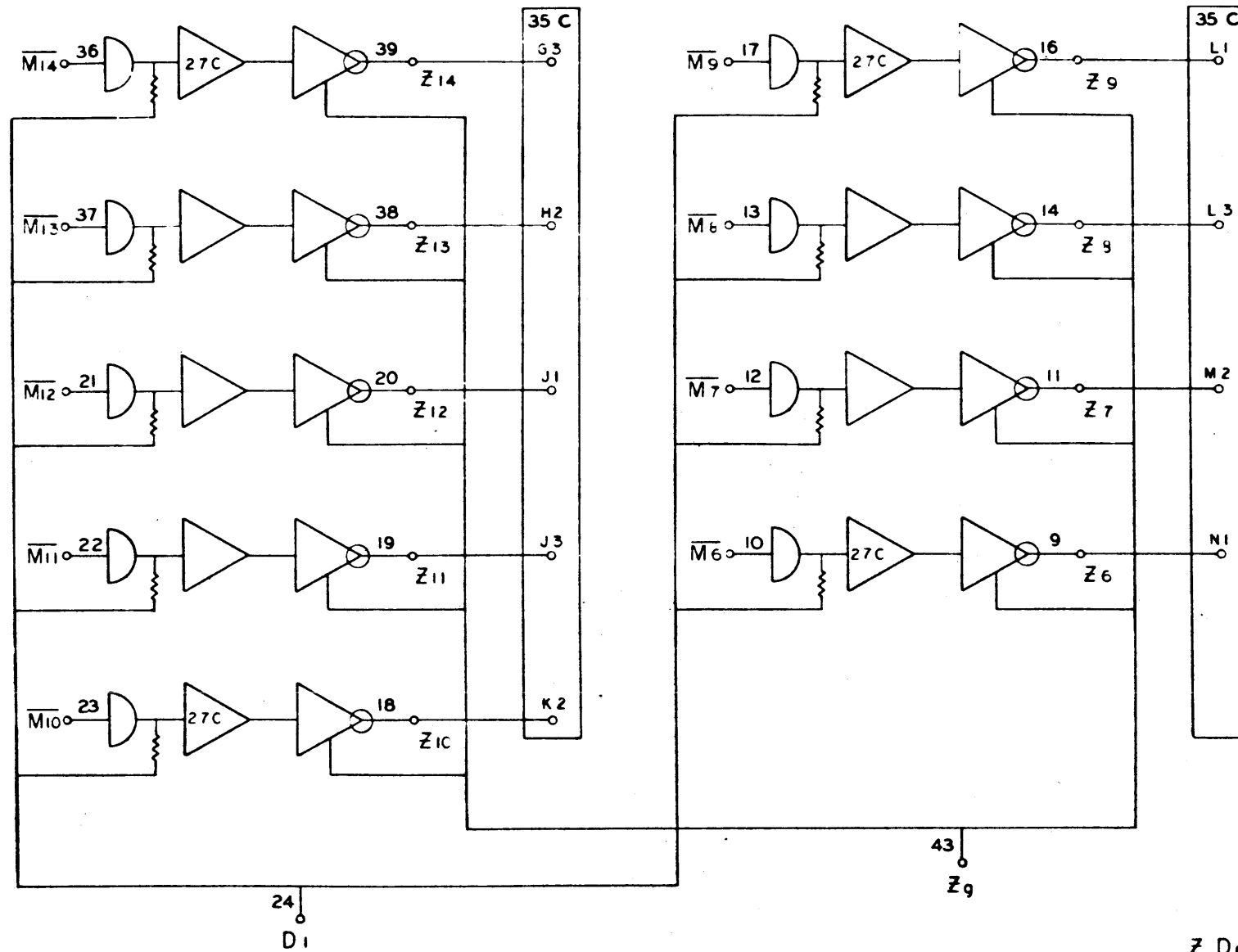


Z Driver
910 - 920
Page 128

NO. REQ.	DRAWING NO.	DESCRIPTION	REFERENCE DESIGNATION	ITEM NO.
MATERIAL LIST				
NOTES UNLESS SPECIFIED		DRAWN	CHECK	DATE
1. TOLERANCES .02 ± .000 ANGULAR .015 ± .010 = 1/2"				11/13/62
2. BREAK ALL SHARP EDGES .010 APPROX.		APPR.		11/14/62
3. HATCH SURFACES ✓				
4. ALL DIM. IN INCHES				
MODEL NO. 920		TITLE DIAGRAM, LOGIC COMPUTER		SIZE D
NEXT ASSY.		DWS NO. 101701		A
SCALE			DO NOT SCALE DRAWING	SHEET

101701 A

REVISIONS				101701	A
REV	DESCRIPTION	CHK	DATE	APPROVED	
A	RELEASED TO MFG		11/12/62	<i>[Signature]</i>	

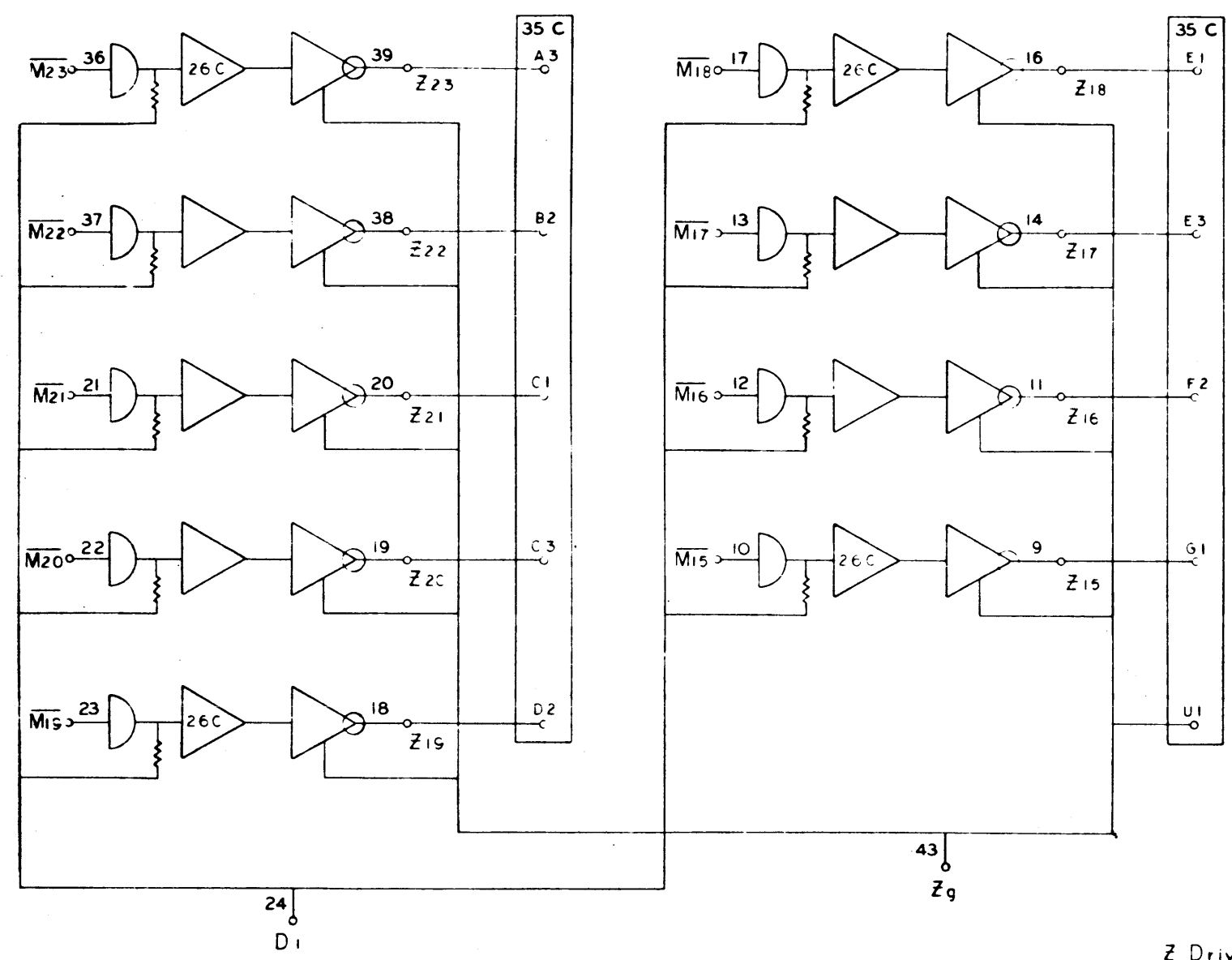


Z Driver
910 - 920
Page 129

101701 A

NO. REQ.	DRAWING NO.	DESCRIPTION	REFERENCE DESIGNATION	ITEM NO.
NOTES UNLESS SPECIFIED				
1. TOLERANCES DIM ± .005 ANGULAR ± 1/2°		CHECK	<i>[Signature]</i> 11/12/62	SDS SCIENTIFIC DATA SYSTEMS <small>1542 FIFTEENTH STREET, SANTA MONICA, CALIFORNIA</small> TITLE DIAGRAM, LOGIC COMPUTER
2. BREAK ALL SHARP EDGES 3/16 APPROX.		APPR.	<i>[Signature]</i> 11/14/62	
3. HATCH SURFACES ✓				
4. ALL DIMS. IN INCHES				
MODEL NO.	920	SIZE	D	DWS NO. 101701 A
NEXT ASSY.		SCALE	DO NOT SCALE DRAWING	SHEET

REVISIONS				101701	A
REV	DESCRIPTION	CHK	DATE	APPROVED	ITEM NO.
A	RELEASED TO MFG		6/1/66		

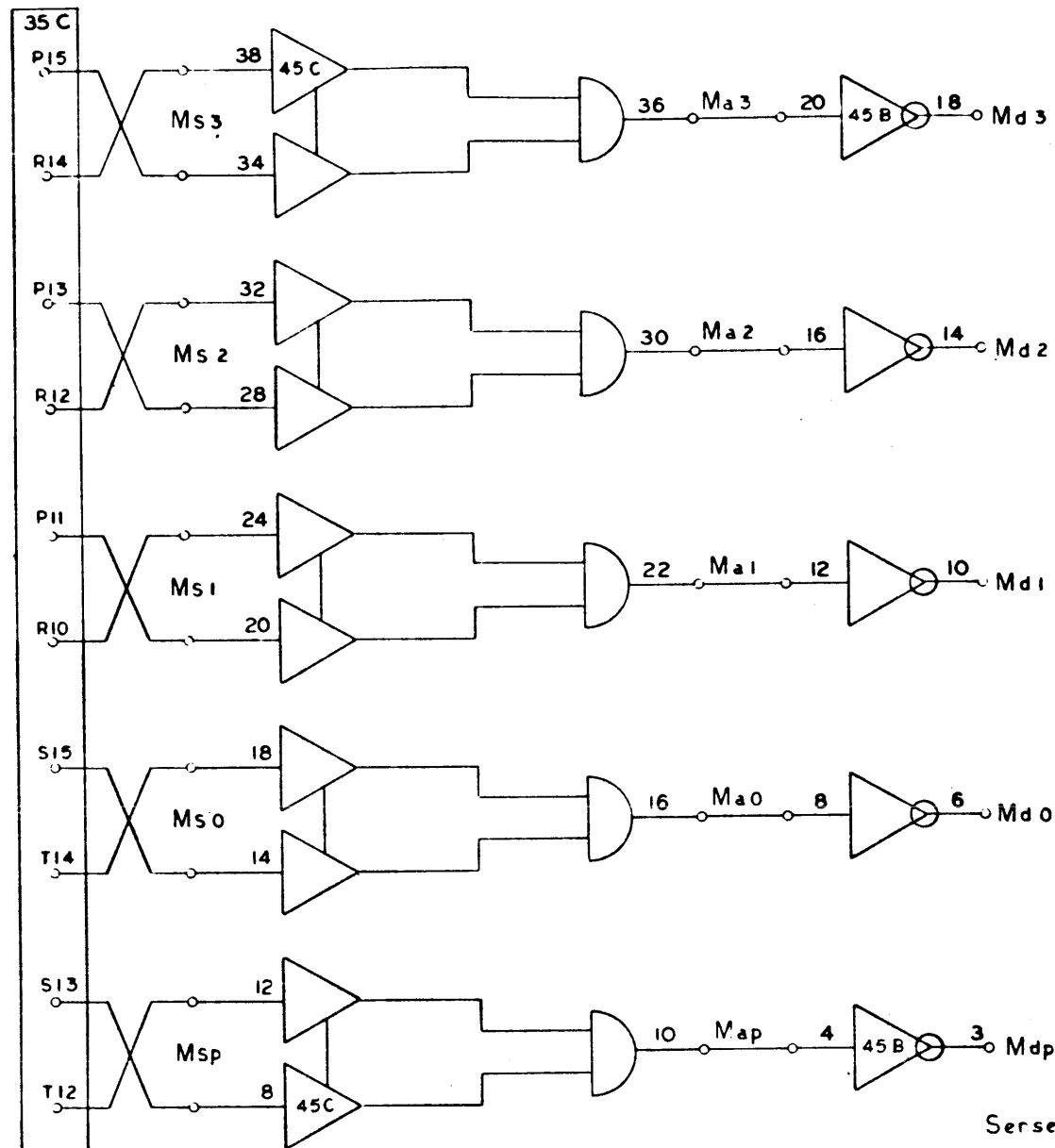


Z Driver
91C - 920
Page 130

NO. REQ.	DRAWING NO.	DESCRIPTION	REFERENCE DESIGNATION	ITEM NO.
MATERIAL LIST				
NOTES UNLESS SPECIFIED: 1. TOLERANCES: .030 ANGULAR .1" .010 .015 2. BREAK ALL SHARP EDGES .010 APPROX 3. MACH SURFACES ✓ 4. ALL DIM IN INCHES				
DRAWN: [Signature] CHECK: [Signature] APPR: [Signature]		SDS SCIENTIFIC DATA SYSTEMS 1942 FIFTEENTH STREET SANTA MONICA CALIFORNIA TITLE: DIAGRAM, LOGIC COMPUTER		
MODEL NO.	920	SIZE	DWG NO.	A
NEXT ASSY		SCALE	DO NOT SCALE DRAWING	SHEET

101701 | A |

REVISIONS			
REV	DESCRIPTION	CHK	DATE
A	RELEASED TO MFG		11/13/64

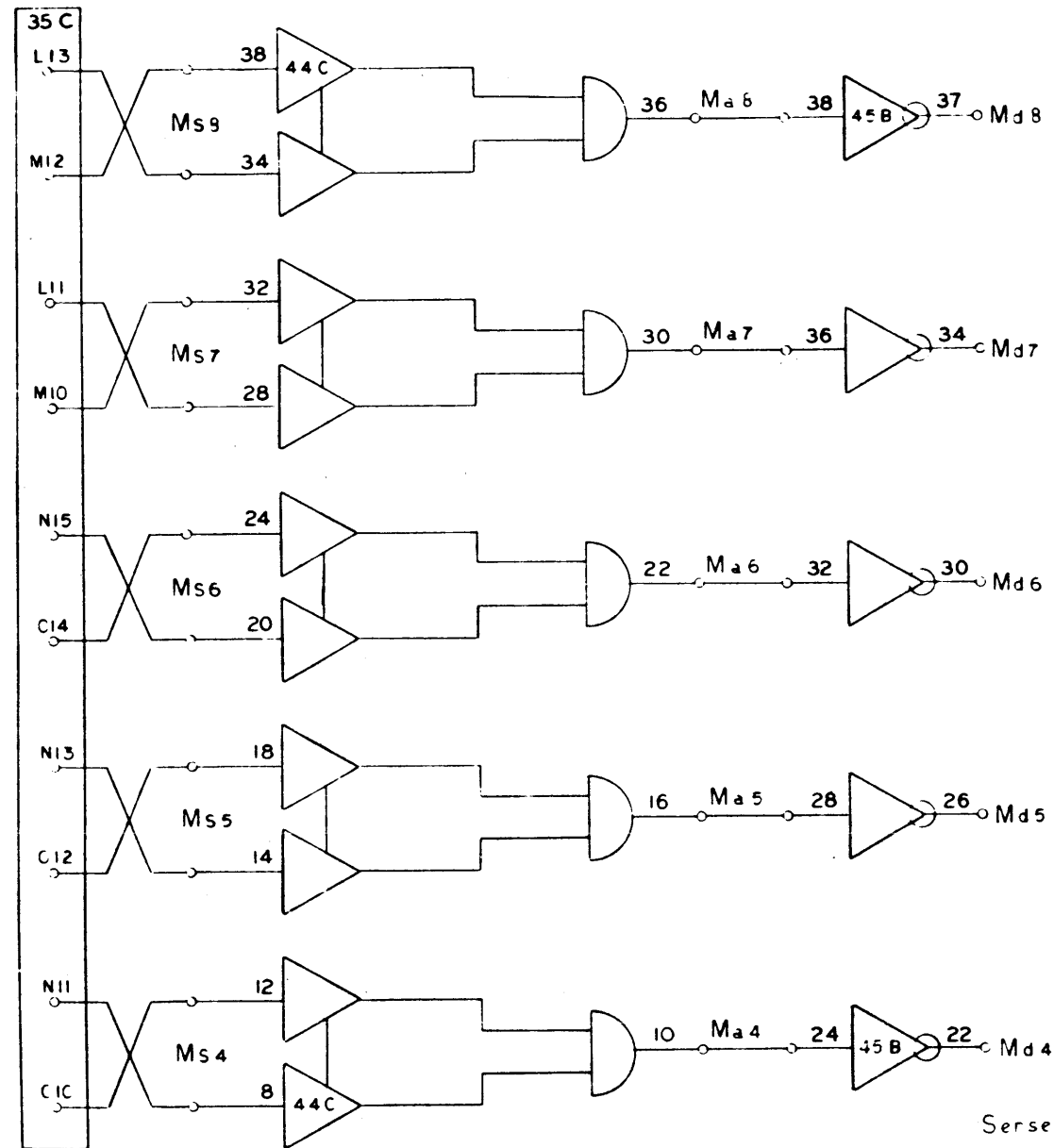


Sense Amplifier
&
Discriminator
Page 131

101701 A

NO	DRAWING NO.	DESCRIPTION	REFERENCE DESIGNATION	ITEM NO.
MATERIAL LIST				
NOTES UNLESS SPECIFIED		DRAWN	SDS SCIENTIFIC DATA SYSTEMS 1942 FIFTEENTH STREET SANTA MONICA CALIFORNIA	
1. TOLERANCES DIM 2.000 ANGULAR DIM 2.010 2 1/2"		CHECK	TITLE	
2. BREAK ALL SHARP EDGES 0.05 APPROX.		APPR	DIAGRAM, LOGIC COMPUTER	
3. HATCH SURFACES ✓			MODEL NO.	SIZE DWG NO.
4. ALL DIM IN INCHES			920	D 101701 A
NEXT ASSY.			SCALE	DO NOT SCALE DRAWING SHEET

REVISIONS				
REV	DESCRIPTION	CHK	DATE	APPROVED
A	RELEASED TO VFG		1/24/64	J. W. H.



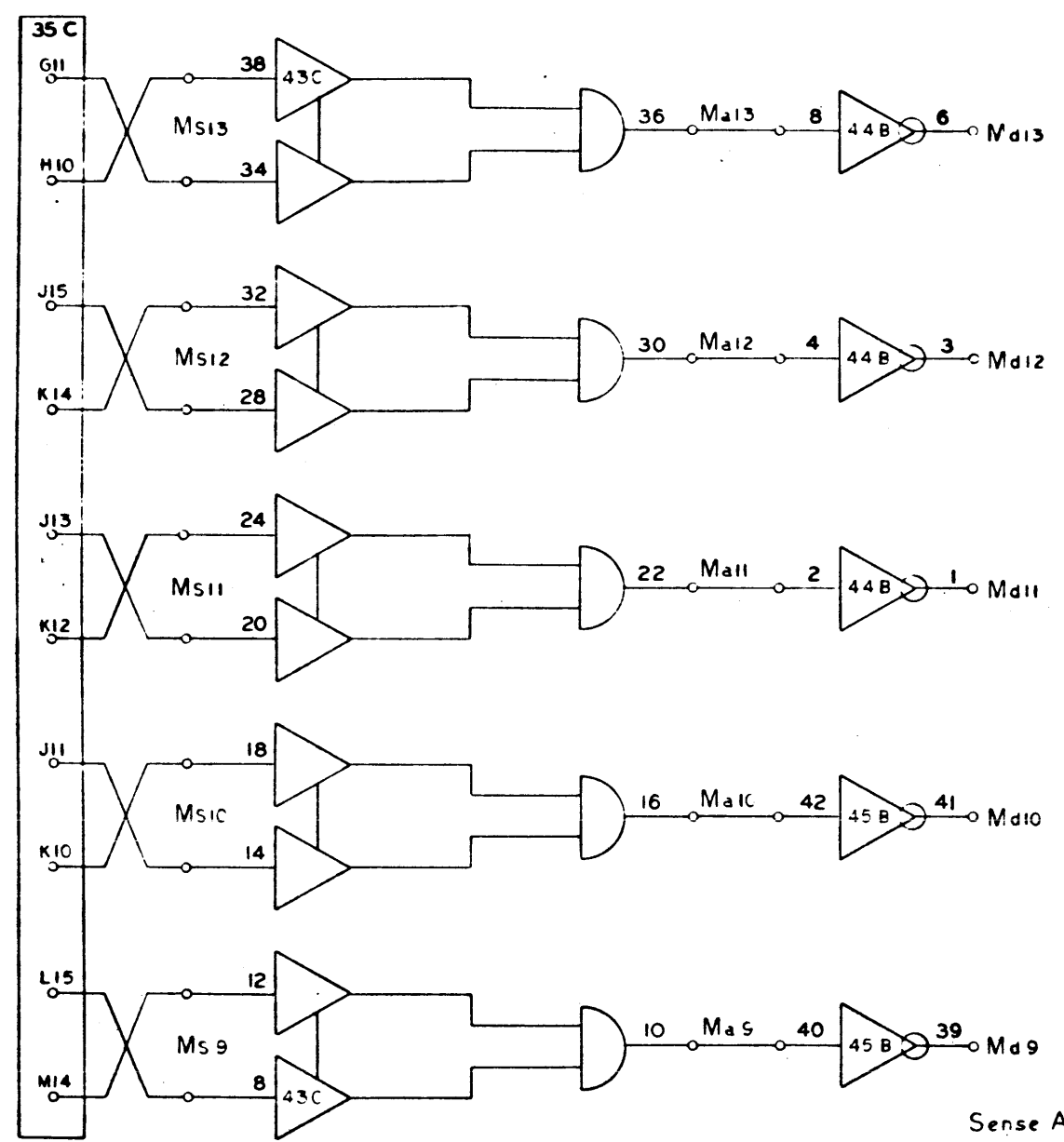
Sense Amplifier
&
Discriminator

Page 132

NO. REQ.	DRAWING NO.	DESCRIPTION	REFERENCE DESIGNATION	ITEM NO.
MATERIAL LIST				
NOTES UNLESS SPECIFIED		DRAWN	CHECK	APPR
1 TOLERANCES XX ± .030 ANGLULAR XX ± .010				
2 BREAK ALL SHARP EDGES 0.10 APPROX				
3 HATCH SURFACES ✓				
4 ALL DIM. IN INCHES				
MODEL NO. 920		TITLE DIAGRAM, LOGIC COMPUTER		SIZE D
NEXT ASSY		DWS NO. 101701		A
SCALE		DO NOT SCALE DRAWING		SHEET

101701-1A1

REVISIONS				101701	A
REV	DESCRIPTION	CHK	DATE	APPROVED	
A	RELEASED TO MFG		6/4/67		

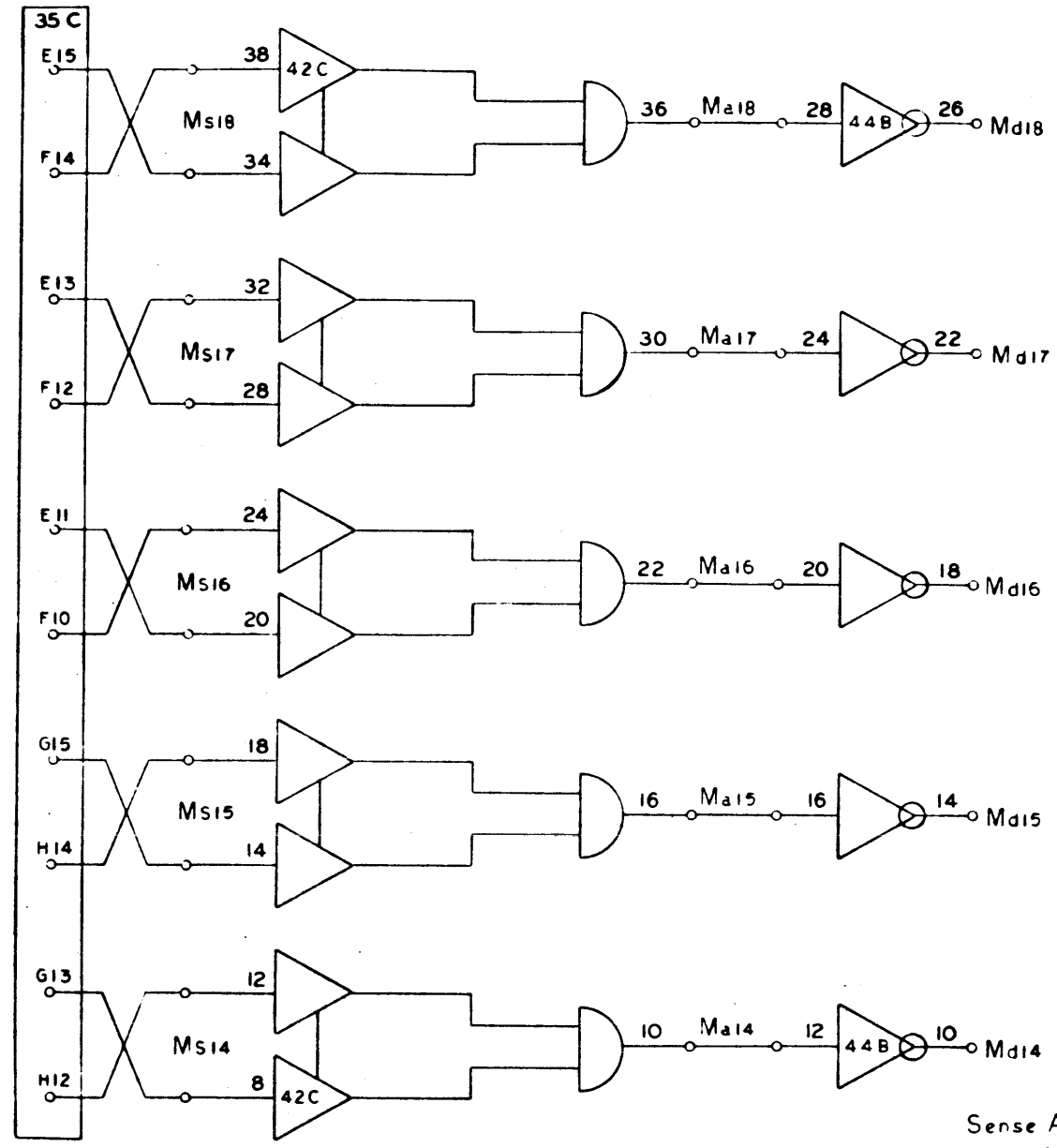


Sense Amplifier
&
Discriminator
Page 133

101701 A

NO. REQ.	DRAWING NO.	DESCRIPTION	REFERENCE DESIGNATION	ITEM NO.
NOTES UNLESS SPECIFIED				
1. TOLERANCES UNLESS OTHERWISE SPECIFIED				
2. BREAK ALL SHARP EDGES .010 APPROX.				
3. HATCH SURFACES				
4. ALL DIM. IN INCHES				
DRAWN		MATERIAL LIST		
CHECK		SDS SCIENTIFIC DATA SYSTEMS 1942 FIFTEENTH STREET SANTA MONICA CALIFORNIA		
APPR.		TITLE DIAGRAM, LOGIC COMPUTER		
MODEL NO. 920		SIZE D		DWG NO. 101701
NEXT ASSY.		SCALE		SHEET A
DO NOT SCALE DRAWING				

REVISIONS				101701	A
REV	DESCRIPTION	CHK	DATE	APPROVED	
A	RELEASED TO MFG				

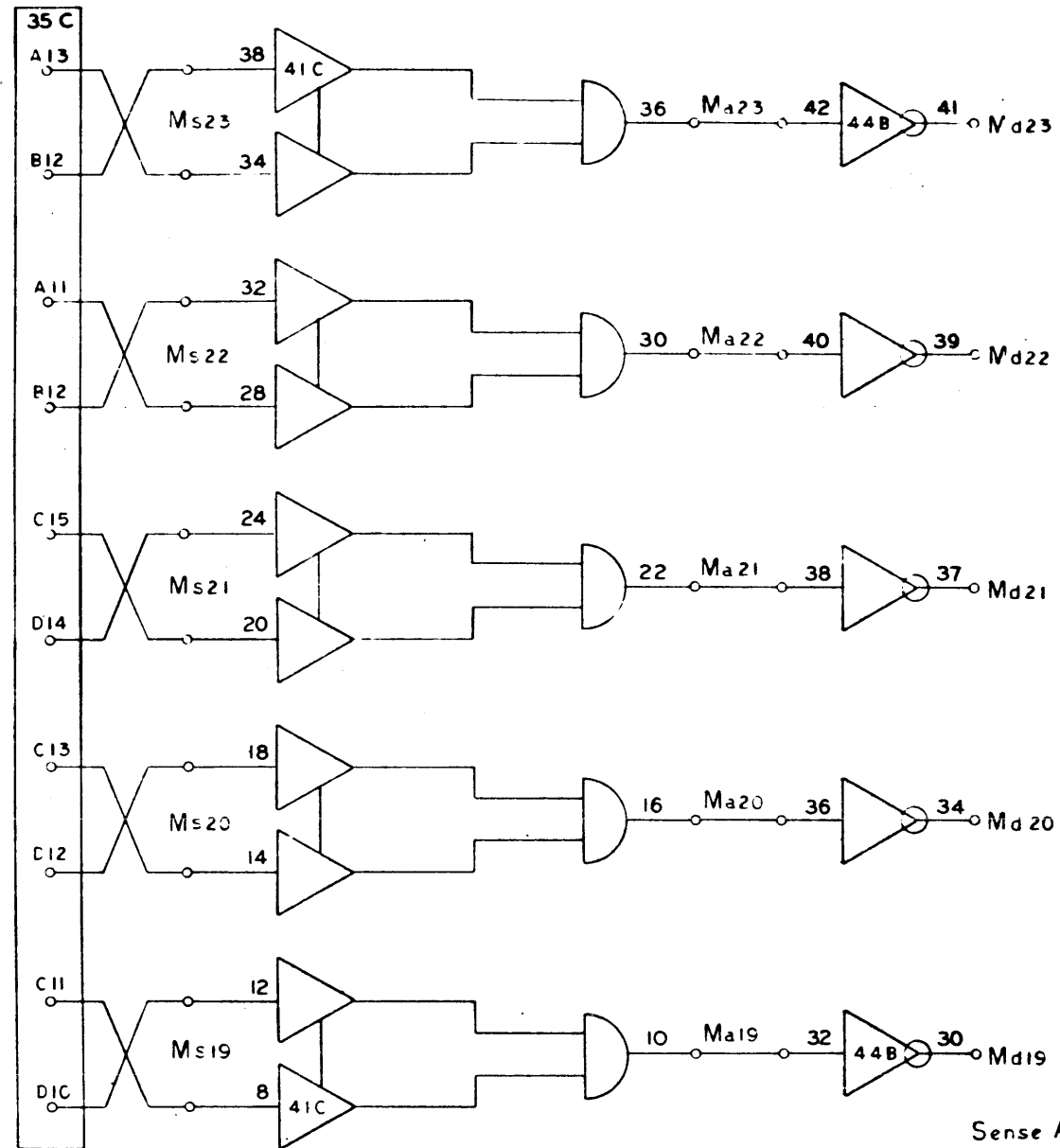


Sense Amplifier
&
Discriminator
Page 134

NO. REQ.	DRAWING NO.	DESCRIPTION	REFERENCE DESIGNATION	ITEM NO.
MATERIAL LIST				
NOTES UNLESS SPECIFIED				
1. TOLERANCES XX ± .010 ANGULAR XX ± .010 ± 1/2°		CHECK	1/13/67	
2. BREAK ALL SHARP EDGES Ø 10 APPROX		APPR	1/14/67	
3. HATCH SURFACES				
4. ALL DIM. IN INCHES				
MODEL NO. 920		SDS SCIENTIFIC DATA SYSTEMS 1342 FIFTEENTH STREET SANTA MONICA CALIFORNIA		
NEXT ASSY.		TITLE DIAGRAM, LOGIC COMPUTER		
		REV D	DRWG NO. 101701	A
		SCALE	DO NOT SCALE DRAWING	SHEET

101701 (A)

REVISIONS		101701	A
NO.	DESCRIPTION	CHEK	DATE
A	RELEASED TO MFG		

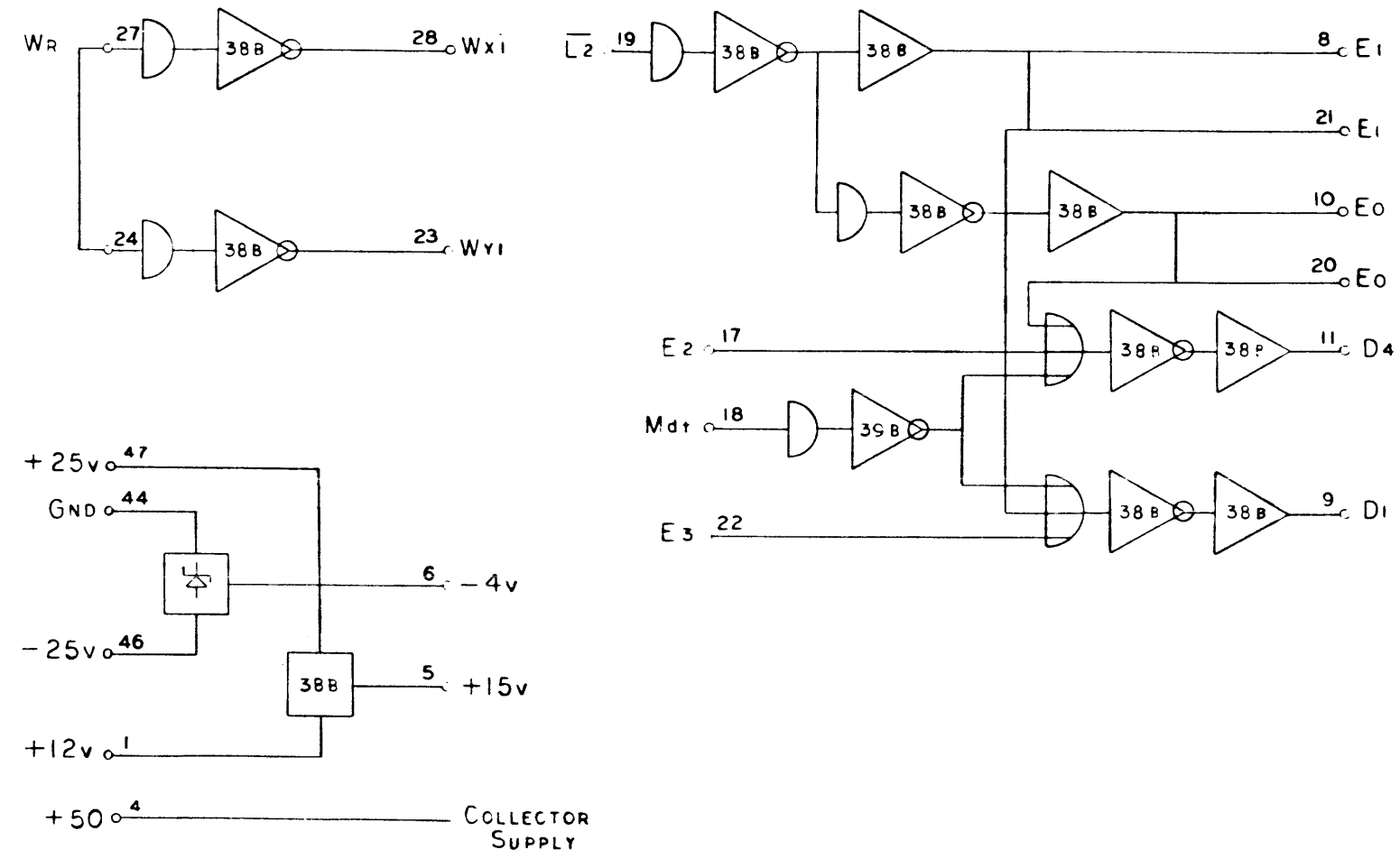


Sense Amplifier
&
Discriminator
Page 135

101701 A

NO. REQ.	DRAWING NO.	DESCRIPTION	REFERENCE DESIGNATION	ITEM NO.
MATERIAL LIST				
NOTES UNLESS SPECIFIED		DRAWN	CHECK	DATE
1. TOLERANCES DIM ± .000 ANGULAR ± .5°				11/13/67
2. BREAK ALL SHARP EDGES R10 APPROX		APPR		11/14/67
3. BACK SURFACES ✓				
4. ALL DIM. IN INCHES				
MODEL NO. 920		SDS SCIENTIFIC DATA SYSTEMS 1545 FIFTEENTH STREET SANTA MONICA, CALIFORNIA		SIZE D
NEXT ASSY.		TITLE DIAGRAM, LOGIC COMPUTER		DWG NO. 101701
		SCALE		SHEET A

REVISIONS				101701	C
REV	DESCRIPTION	CHK	DATE	APPROVED	
C	SEE REV. E.O.		1/17/63		

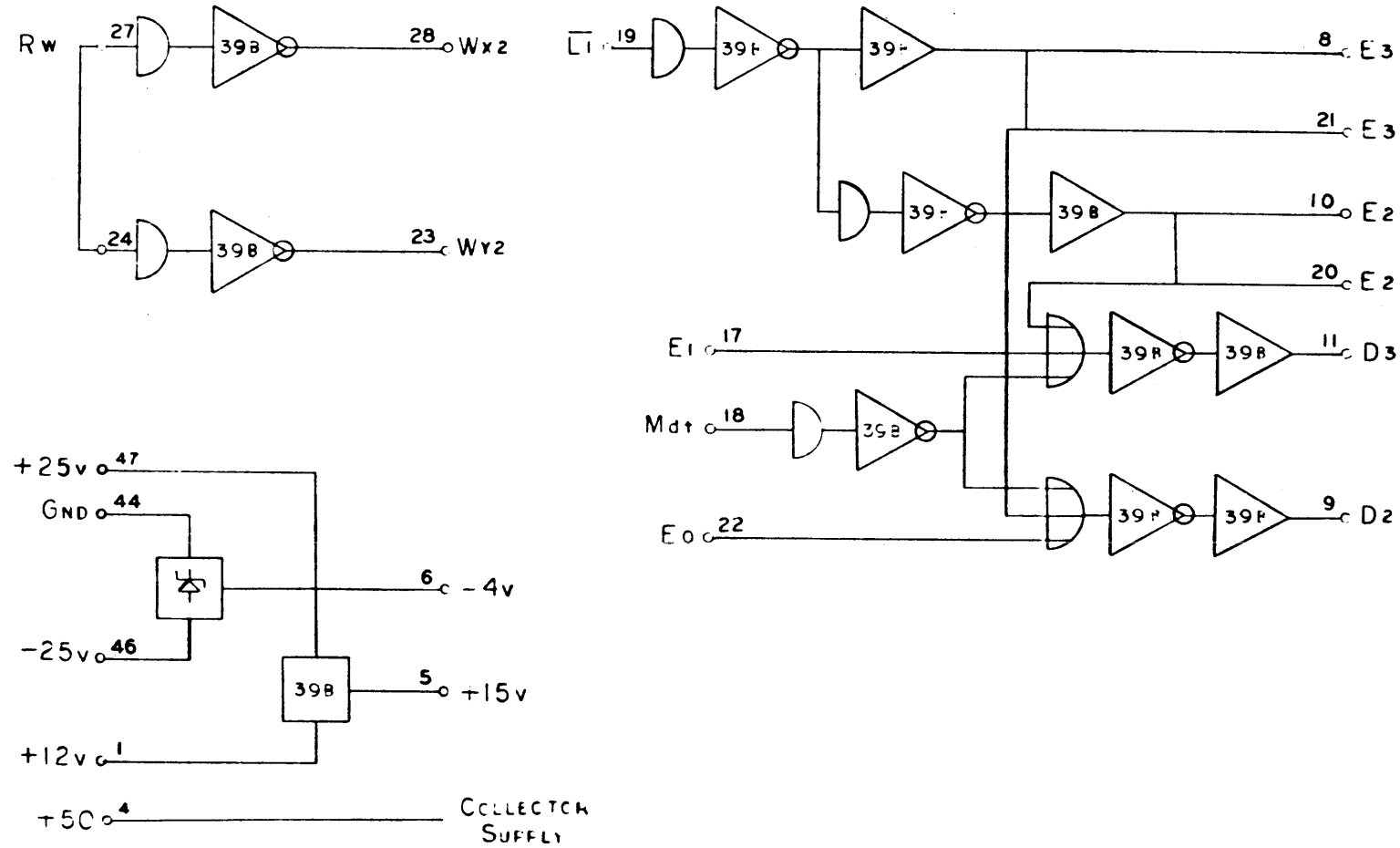


HK55
Selector Control
910-920
Page 136
C

NO. REQ	DRAWING NO.	DESCRIPTION	REFERENCE DESIGNATION	ITEM NO.
MATERIAL LIST				
NOTES UNLESS SPECIFIED		DRAWN	SDS SCIENTIFIC DATA SYSTEMS	
1. TOLERANCES XX ± .030 ANGULAR XXX ± .010		CHECK	1522 FIFTEENTH STREET SANTA MONICA CALIFORNIA	
2. BREAK ALL SHARP EDGES .010 APPROX		APPR	TITLE DIAGRAM, LOGIC COMPUTER	
3. HATCH SURFACES ✓				
4. ALL DIM. IN INCHES				
MODEL NO.	920	SIZE	DWG NO.	C
NEXT ASSY.		SCALE	DO NOT SCALE DRAWINGS	SHEET

101701 | C1

REVISIONS				101701	C
REV	DESCRIPTION	CHK	DATE	APPROVED	
C	SEE REV. E.O.		1/17/63		

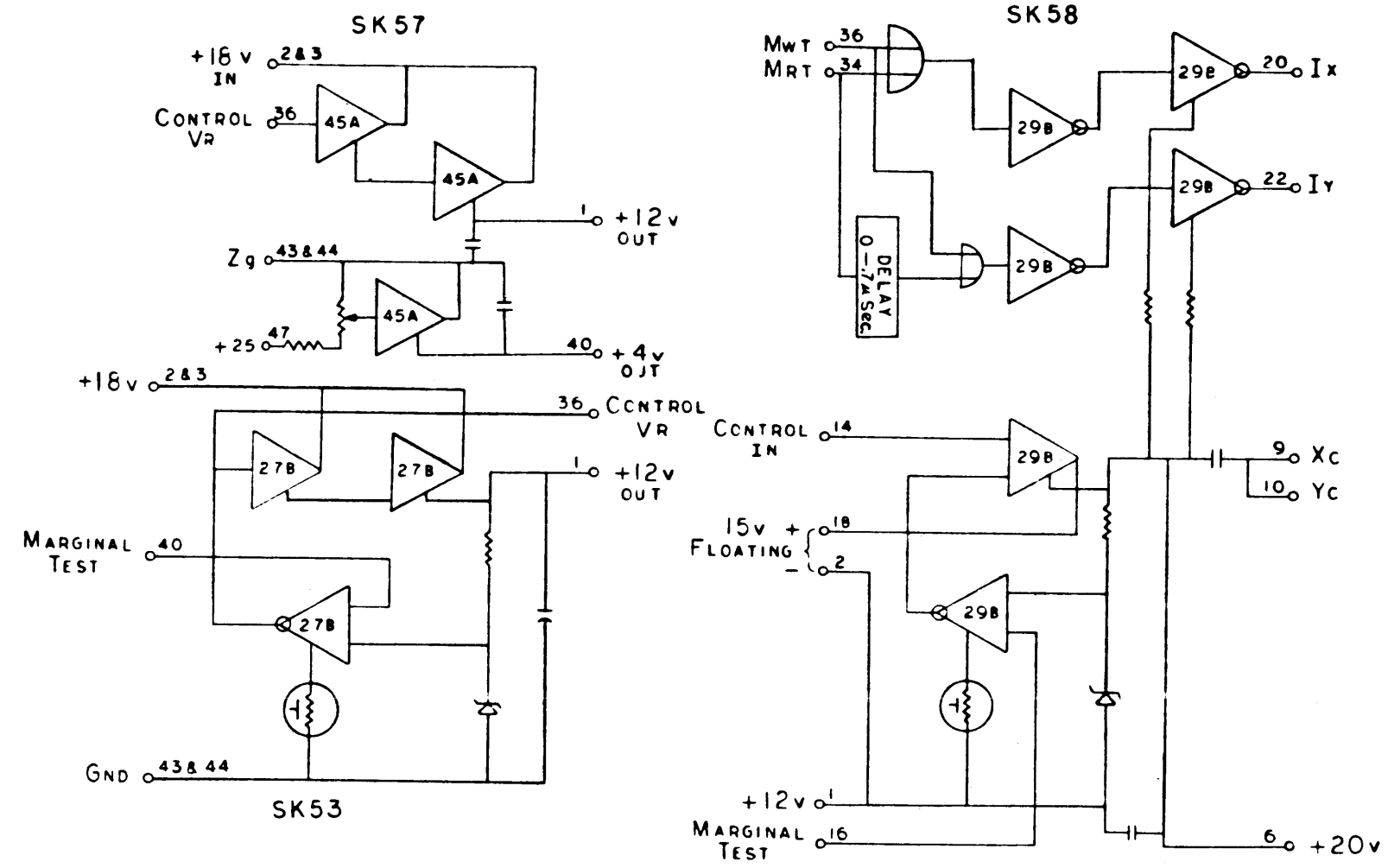


HK55
Selector Control
910-920
Page 137
C

101701 | C |

NO. REQ.	DRAWING NO.	DESCRIPTION	REFERENCE DESIGNATION	ITEM NO.
MATERIAL LIST				
NOTES UNLESS SPECIFIED		DRAWN	DET	DATE
1. TOLERANCES XX ± .000 ANGULAR XXX ± .010 ± 1/2°		CHECK		DATE
2. BREAK ALL SHARP EDGES AND APPROX.		APPR.		DATE
3. HATCH SURFACES ✓				
4. ALL DIM. IN INCHES				
MODEL NO. 920		 1942 FIFTEENTH STREET SANTA MONICA, CALIFORNIA		
NEXT ASSY.				
		TITLE DIAGRAM, LOGIC COMPUTER		
		SIZE D	DWG. NO. 101701	C
		SCALE	DO NOT SCALE DRAWING	SHEET

REVISIONS				
REV	DESCRIPTION	CHK	DATE	APPROVED
A	RELEASED TO MFG	JL	1/13	J. L. ...
D	SEE REV. E.O.	DPT	1/10	J. L. ...



Current & Voltage Regulator
 910 - 920
 Page 138
 D

NO. RES.	DRAWING NO.	DESCRIPTION	REFERENCE DESIGNATION	ITEM NO.
NOTES UNLESS SPECIFIED				
1. TOLERANCES UNLESS SPECIFIED		DRAWN	SDS IDENTIFYS DATA SYSTEMS	
2. ANGULAR DIMENSIONS UNLESS SPECIFIED		CHECK	1545 FIFTEENTH STREET, SANTA MONICA, CALIFORNIA	
3. DIMENSIONS UNLESS SPECIFIED		APPR	TITLE	
4. ALL DIM. IN INCHES			DIAGRAM, LOGIC COMPUTER	
MODEL NO.	920	REV	D	101701
NEXT ASSY		DATE		D
SCALE			DO NOT SCALE DRAWING	SHEET

101701 | D |



PIN LOCATOR

LOC	1	LOC	2	LOC	3	LOC	4	LOC	5	LOC	6	LOC	7	LOC	8	LOC	9	LOC	10	LOC	11	LOC	12	LOC	13
PIN	PAGE	PIN	PAGE	PIN	PAGE	PIN	PAGE	PIN	PAGE	PIN	PAGE	PIN	PAGE	PIN	PAGE	PIN	PAGE	PIN	PAGE	PIN	PAGE	PIN	PAGE	PIN	PAGE
1	45	1		1	58	1	66	1	47	1	46	1	46	1		1	37	1	34	1	44	1	52	1	58
2		2	45	2		2		2		2		2	46	2		2	80	2	30	2		2		2	54
3		3		3	45	3		3		3		3	47	3		3		3	37	3		3	52	3	58
4		4		4		4		4		4		4		4		4		4		4		4		4	
5		5		5		5		5		5		5		5		5		5		5	52	5		5	
6		6		6		6		6		6		6		6		6		6		6		6		6	
7		7	45	7	101	7		7		7		7		7		7	69	7	42, 34, 30	7		7	52 & 53	7	54
8	66	8		8		8		8	46	8		8	46	8		8		8	42	8	44	8	53	8	
9		9		9		9		9		9		9		9		9		9		9		9		9	
10		10		10		10		10		10		10		10		10		10		10		10		10	
11		11	45	11		11		11		11		11	47	11		11		11	34	11		11		11	
12		12		12		12		12		12		12		12		12		12		12	101	12		12	
13		13		13		13		13		13		13		13		13		13		13	101	13		13	
14		14		14		14		14		14		14		14		14		14	30	14	80	14	52	14	
15	45	15	47	15		15		15	47	15		15		15		15		15		15	80	15		15	
16		16		16		16		16		16		16		16		16		16		16	52	16		16	
17		17		17	66	17		17		17	47	17		17		17	54	17	65	17		17		17	58
18		18		18		18		18		18		18		18		18		18		18		18		18	
19		19	45	19		19		19		19		19		19		19		19		19		19		19	
20		20		20		20		20		20		20		20		20		20		20		20		20	
21		21		21		21		21	46 & 47	21		21		21		21		21		21		21		21	
22		22		22		22		22		22		22		22		22		22		22	53	22		22	
23		23		23		23		23		23		23		23		23		23		23		23		23	
24		24		24		24		24		24		24		24		24		24		24		24		24	
25		25		25		25		25		25		25		25		25		25		25	52	25		25	
26		26		26		26		26		26		26	47	26		26		26	56 & 57	26		26		26	53
27		27		27		27		27		27		27		27		27		27		27		27		27	
28	115	28		28		28		28		28		28		28		28		28		28	46	28		28	
29		29		29		29		29		29		29		29		29		29		29		29		29	
30		30		30		30		30		30		30		30		30		30		30		30		30	
31	45 & 115	31		31		31		31		31		31		31		31		31	56	31	101	31		31	
32	45	32		32		32		32		32		32		32		32		32		32	101	32		32	
33		33		33		33		33		33		33		33		33		33		33	30	33		33	
34		34		34	45 & 101	34		34		34	46	34	46 & 47	34		34	38, 21, 44	34	56, 57, 66	34	44	34		34	54
35		35		35	45	35		35		35		35	47	35		35	21	35	66	35	84	35		35	
36		36		36		36		36		36		36		36		36		36		36	44	36		36	
37		37		37		37		37		37		37		37		37		37		37	30	37		37	
38		38		38	101	38		38		38		38	46	38		38	44	38	57	38	84	38		38	
39		39		39		39		39		39		39		39		39		39		39	59	39		39	
40		40		40		40		40		40		40		40		40		40		40	101	40		40	
41		41		41		41		41		41		41	47	41		41	38	41	56	41	101	41		41	
42		42		42		42		42		42		42		42		42		42		42	59	42		42	
43		43		43		43		43		43		43		43		43		43		43	59	43		43	
44		44		44		44		44		44		44		44		44		44		44		44		44	
45		45		45		45		45		45		45		45		45		45		45		45		45	
46		46		46		46		46		46		46		46		46		46		46		46		46	
47		47		47		47		47		47		47		47		47		47		47		47		47	

ROW A

PIN LOCATOR

LOC	14	LOC	15	LOC	16	LOC	17	LOC	18	LOC	19	LOC	20	LOC	21	LOC	22	LOC	23	LOC	24	LOC	25	LOC
PIN	PAGE	PIN	PAGE	PIN	PAGE	PIN	PAGE	PIN	PAGE	PIN	PAGE	PIN	PAGE	PIN	PAGE	PIN	PAGE	PIN	PAGE	PIN	PAGE	PIN	PAGE	
1	54	1		1	55	1		1	57	1		1	59	1		1	61	1	62	1		1	63	1
2		2		2		2	57	2		2		2		2		2		2		2		2		2
3		3	55	3		3		3		3	57	3		3	59	3		3		3	60	3		3
4		4	↓	4		4		4		4	↓	4		4	↓	4		4		4	↓	4		4
5		5		5		5	↓	5		5	↓	5		5	↓	5		5		5	↓	5		5
6		6	↓	6		6		6		6	↓	6		6	↓	6		6		6	↓	6		6
7		7	54	7		7	57	7		7	57 & 59	7		7	61 & 60	7		7		7	63	7	↓	7
8		8		8		8	↓	8		8	59	8		8	61	8		8		8	↓	8	59	8
9		9		9		9	↓	9		9	↓	9		9	↓	9		9		9	↓	9		9
10		10		10		10	56	10		10		10		10		10		10		10		10	↓	10
11		11		11		11	↓	11		11		11		11		11		11		11		11	63 & 59	11
12		12		12		12	↓	12		12		12		12		12		12		12		12	63	12
13		13		13		13	↓	13		13	↓	13		13	↓	13		13		13	↓	13		13
14		14		14		14		14		14	57	14		14	60	14		14		14	62	14		14
15		15		15		15	56	15		15	↓	15		15	↓	15		15		15		15		15
16		16	↓	16		16	↓	16		16	↓	16		16	↓	16		16		16		16		16
17		17	55	17		17	↓	17		17	58	17		17	59	17		17		17		17		17
18		18		18		18		18		18		18		18		18		18		18		18		18
19		19		19		19	57	19		19		19		19		19		19		19		19		19
20	↓	20		20		20	↓	20		20	↓	20		20	↓	20		20		20		20		20
21	53 & 54	21		21		21	56 & 57	21		21	58 & 59	21		21	60 & 61	21		21		21		21		21
22	53	22		22		22	56	22		22	58	22		22	60	22		22		22		22		22
23		23		23		23	↓	23		23		23		23		23		23		23		23		23
24		24		24		24		24		24		24		24		24		24		24		24		24
25		25		25		25		25		25		25		25		25		25		25	↓	25		25
26		26		26		26		26		26		26		26	59 & 60	26		26		26	60	26		26
27		27		27		27	↓	27		27		27		27	59	27		27		27	↓	27		27
28		28		28		28	57	28		28		28		28		28		28	60	28		28		28
29		29		29		29		29		29		29		29		29		29		29		29		29
30		30		30		30		30		30		30		30		30		30		30		30		30
31		31		31		31		31		31		31		31	60	31		31	60 & 62	31		31		31
32		32		32		32		32		32		32		32		32		32	60	32		32		32
33		33	↓	33		33		33		33	↓	33		33	↓	33		33	62	33		33	↓	33
34		34	54 & 55	34		34	↓	34		34	57 & 62	34		34	56, 57, 59	34		34		34	62 & 63	34		34
35		35	55	35		35	56	35		35	57	35		35	59	35		35		35		35		35
36		36		36		36		36		36		36		36		36		36		36		36		36
37		37		37		37		37		37		37		37	↓	37		37		37		37		37
38		38		38		38		38		38		38		38	56	38		38		38		38		38
39		39		39		39		39		39		39		39		39		39		39		39		39
40		40	↓	40		40		40		40	↓	40		40	↓	40		40		40	↓	40		40
41	↓	41	54	41	↓	41		41		41	62	41	↓	41	57	41	↓	41		41	63	41	↓	41
42		42		42		42		42		42		42		42		42		42		42		42		42
43		43	↓	43		43	↓	43		43	↓	43		43	↓	43		43		43	↓	43		43
44		44		44		44		44		44		44		44		44		44		44		44		44
45		45		45		45		45		45		45		45		45		45		45		45		45
46		46		46		46		46		46		46		46		46		46		46		46		46
47		47		47		47		47		47		47		47		47		47		47		47		47

ROW A

PIN LOCATOR

LOC	26	LOC	27	LOC	28	LOC	29	LOC	30	LOC	31	LOC	32	LOC	33	LOC	34	LOC	35	LOC	36	LOC	37	LOC	38	
PIN	PAGE	PIN	PAGE	PIN	PAGE	PIN	PAGE	PIN	PAGE	PIN	PAGE	PIN	PAGE	PIN	PAGE	PIN	PAGE	PIN	PAGE	PIN	PAGE	PIN	PAGE	PIN	PAGE	
1		1	15	1	2	1	2	1	3	1	3	1	4	1	4	1	5	1	5	1	1	1	1	6	1	6
2	15	2	15	2		2		2		2		2		2		2		2		2		2		2		2
3	1	3	1	3		3		3		3		3		3		3		3		3		3		3		3
4		4		4		4		4		4		4		4		4		4		4		4		4		4
5		5		5	14	5		5		5		5		5		5		5		5	14	5		5		5
6		6		6	14	6		6		6		6		6		6		6		6	14	6		6		6
7		7	15	7	14	7		7		7		7		7		7		7		7	14	7		7		7
8		8		8		8		8	14	8		8	10	8	10	8	10	8	10	8	11	8	9	8	9	8
9		9		9		9		9		9		9		9		9		9		9		9		9		9
10		10		10	12	10		10		10		10		10		10		10		10		10		10		10
11		11		11		11		11		11		11		11		11		11		11		11		11		11
12		12		12		12		12		12		12		12		12		12		12		12		12		12
13		13		13		13		13		13		13		13		13		13		13		13		13		13
14		14		14		14		14		14		14		14		14		14		14		14		14		14
15		15		15		15	2	15	3	15	3	15	4	15	4	15	5	15	5	15		15	6	15	6	15
16		16		16	13	16		16		16		16		16		16		16		16		16		16		16
17		17	13	17	13	17		17		17		17		17		17		17		17		17		17		17
18		18		18	13	18		18		18		18		18		18		18		18		18		18		18
19		19		19	1	19		19		19		19		19		19		19		19	1	19		19		19
20		20		20	1	20		20		20		20		20		20		20		20	1	20		20		20
21		21		21	1	21		21		21		21		21		21		21		21	1	21		21		21
22		22		22		22		22		22		22		22		22		22		22		22		22		22
23		23		23		23		23		23		23		23		23		23		23		23		23		23
24		24		24		24		24		24		24		24		24		24		24		24		24		24
25		25		25	1	25		25		25		25		25		25		25		25	15	25		25		25
26		26		26	1	26		26		26		26		26		26		26		26	15	26		26		26
27		27		27	1	27		27		27		27		27		27		27		27	15	27		27		27
28		28		28	13	28	13	28	14	28	10	28	10	28	10	28	10	28	10	28	14	28	9	28	9	28
29		29		29	13	29		29		29		29		29		29		29		29	14	29		29		29
30		30		30	13	30		30		30		30		30		30		30		30	14	30		30		30
31		31		31		31		31		31		31		31		31		31		31	12	31		31		31
32		32		32		32		32		32		32		32		32		32		32		32		32		32
33		33		33	12	33		33		33		33		33		33		33		33		33		33		33
34		34	1, 14	34	14	34		34		34		34		34		34		34		34		34		34		34
35		35	1	35	12	35	2	35	3	35	3	35	4	35	4	35	5	35	5	35		35	6	35	6	35
36		36	1	36	14	36		36		36		36		36		36		36		36		36		36		36
37		37	1	37	12	37		37		37		37		37		37		37		37		37		37		37
38		38	14	38	12	38		38		38		38		38		38		38		38		38		38		38
39		39		39	12	39		39		39		39		39		39		39		39		39		39		39
40		40		40	13	40		40		40		40		40		40		40		40		40		40		40
41		41		41	13	41		41		41		41		41		41		41		41		41		41		41
42		42		42	12	42		42		42		42		42		42		42		42		42		42		42
43		43		43	1	43		43		43		43		43		43		43		43		43		43		43
44		44		44		44		44		44		44		44		44		44		44		44		44		44
45		45		45		45		45		45		45		45		45		45		45		45		45		45
46		46		46		46		46		46		46		46		46		46		46		46		46		46
47		47		47		47		47		47		47		47		47		47		47		47		47		47

ROW
A

PIN LOCATOR

LOC	39	LOC	40	LOC	41	LOC	42	LOC	43	LOC	44	LOC	45	LOC	LOC	LOC	LOC	LOC	LOC	LOC	LOC	LOC	LOC
PIN	PAGE	PIN	PAGE	PIN	PAGE	PIN	PAGE	PIN	PAGE	PIN	PAGE	PIN	PAGE	PIN	PAGE	PIN	PAGE	PIN	PAGE	PIN	PAGE	PIN	PAGE
1	7	1	1	1	7	1	8	1	8	1		1		1		1		1		1		1	
2		2		2		2		2		2		2		2		2		2		2		2	
3		3		3		3		3		3		3		3		3		3		3		3	
4		4		4		4		4		4		4		4		4		4		4		4	
5		5		5		5		5		5		5		5		5		5		5		5	
6		6		6		6		6		6		6		6		6		6		6		6	
7	↓	7		7	↓	7		7	↓	7		7		7		7		7		7		7	
8	9	8	11	8	9	8	9	8	9	8		8		8		8		8		8		8	
9		9		9		9		9		9		9		9		9		9		9		9	
10		10		10		10		10		10		10		10		10		10		10		10	
11		11		11		11		11		11		11		11		11		11		11		11	
12		12		12		12		12		12		12		12		12		12		12		12	
13		13		13		13		13		13		13		13		13		13		13		13	
14	↓	14		14	↓	14		14	↓	14		14		14		14		14		14		14	
15	7	15	↓	15	7	15	8	15	8	15		15		15		15		15		15		15	
16		16		16		16		16		16		16		16		16		16		16		16	
17		17		17		17		17		17		17		17		17		17		17		17	
18		18		18		18		18		18		18		18		18		18		18		18	
19		19	15	19		19		19		19		19		19		19		19		19		19	
20		20	15	20		20		20		20		20		20		20		20		20		20	
21		21	15	21		21		21		21		21		21		21		21		21		21	
22		22		22		22		22		22		22		22		22		22		22		22	
23		23		23		23		23		23		23		23		23		23		23		23	
24		24		24		24		24		24		24		24		24		24		24		24	
25		25	15	25		25		25		25		25		25		25		25		25		25	
26		26	15	26		26		26		26		26		26		26		26		26		26	
27	↓	27	15	27	↓	27		27	↓	27		27		27		27		27		27		27	
28	9	28	14	28	9	28	9	28	9	28		28		28		28		28		28		28	
29		29	14	29		29		29		29		29		29		29		29		29		29	
30		30	14	30		30		30		30		30		30		30		30		30		30	
31		31	11	31		31		31		31		31		31		31		31		31		31	
32		32		32		32		32		32		32		32		32		32		32		32	
33		33		33		33		33		33		33		33		33		33		33		33	
34	↓	34		34	↓	34		34	↓	34		34		34		34		34		34		34	
35	7	35		35	7	35	8	35	8	35		35		35		35		35		35		35	
36		36		36		36		36		36		36		36		36		36		36		36	
37		37		37		37		37		37		37		37		37		37		37		37	
38		38		38		38		38		38		38		38		38		38		38		38	
39		39		39		39		39		39		39		39		39		39		39		39	
40		40		40		40		40		40		40		40		40		40		40		40	
41	↓	41		41	↓	41		41	↓	41		41		41		41		41		41		41	
42		42	↓	42		42		42		42		42		42		42		42		42		42	
43		43	1	43		43		43		43		43		43		43		43		43		43	
44		44		44		44		44		44		44		44		44		44		44		44	
45		45		45		45		45		45		45		45		45		45		45		45	
46		46		46		46		46		46		46		46		46		46		46		46	
47		47		47		47		47		47		47		47		47		47		47		47	

ROW A

PIN LOCATOR

LOC	1	LOC	2	LOC	3	LOC	4	LOC	5	LOC	6	LOC	7	LOC	8	LOC	9	LOC	10	LOC	11	LOC	12	LOC	13
PIN	PAGE	PIN	PAGE	PIN	PAGE	PIN	PAGE	PIN	PAGE	PIN	PAGE	PIN	PAGE	PIN	PAGE	PIN	PAGE	PIN	PAGE	PIN	PAGE	PIN	PAGE	PIN	PAGE
1	34	1	35	1	36	1	99	1	36	1	42	1	110	1	39	1	65	1	86	1	86	1	86	1	111
2		2		2		2		2		2	42	2		2		2	65	2	86	2	86	2	48	2	
3		3		3		3	37	3		3	44	3		3		3	86	3	65	3		3	111	3	48
4		4		4		4		4		4		4		4		4		4		4		4		4	
5		5		5		5		5	38	5		5	21	5	44	5		5		5		5		5	
6		6		6		6		6		6		6		6		6		6		6		6		6	
7		7		7		7	45, 38, 42	7		7	42, 110	7		7		7	65 & 86	7	86	7		7	48	7	48 & 69
8	39	8		8		8	42	8	78	8	42	8	77	8	79	8	86	8	86	8	74	8		8	69
9		9		9		9		9	78	9		9	77	9	79	9		9		9	74	9		9	
10		10		10		10		10	38	10		10	39	10	39	10		10		10	34	10		10	
11	34 & 39	11		11	36 & 37	11	38	11	38	11		11	39	11		11	65	11		11	34	11		11	48
12	34	12		12	37	12		12	64	12		12	44	12		12		12		12	34	12		12	
13		13		13		13		13	64	13		13	44	13		13		13		13	37	13		13	
14		14		14		14	45	14	38	14	110	14	72	14	80	14		14		14	75	14		14	
15		15		15	36	15		15	38	15	110	15	72	15	80	15		15		15	75	15		15	
16		16		16		16		16	37	16	110	16	110	16	38	16		16		16	39	16		16	
17		17		17		17	38	17		17	65	17		17		17	39	17	67	17		17	67	17	
18		18		18		18		18		18		18		18		18		18		18		18		18	
19		19		19		19		19	86	19		19	86	19	65	19		19		19	52	19		19	
20		20		20		20		20		20		20		20		20		20		20		20		20	
21		21		21		21		21		21		21		21		21		21		21		21		21	
22		22		22		22		22	58	22		22	47	22	81	22		22		22		22		22	
23		23		23		23		23		23		23		23		23		23		23		23		23	
24		24		24		24		24		24		24		24		24		24		24		24		24	
25		25		25		25		25	86	25		25	86	25	65	25		25		25		25		25	
26		26		26		26	86 & 99	26		26	44	26		26		26		26	65	26		26		26	39
27		27		27		27	99	27		27		27		27		27		27		27		27		27	
28		28		28		28		28	37	28		28	42	28	42	28		28		28		28		28	
29		29		29	86	29		29		29		29		29		29		29		29		29		29	
30		30		30		30		30		30		30		30		30		30		30		30		30	
31		31		31		31	86	31	81	31		31	77	31	44	31		31		31		31		31	
32		32		32		32		32	81	32		32	77	32		32		32		32		32		32	
33		33		33		33		33	99	33		33	81	33		33		33		33		33		33	
34		34		34		34	37	34	38	34		34	76	34	111	34	65	34		34		34	48	34	48
35		35		35	36	35		35	81	35		35	44	35	101	35		35		35		35		35	
36		36		36		36		36	36	36		36	76	36	111	36		36		36		36		36	
37		37		37		37		37	99	37		37	81	37	44	37		37		37		37		37	
38		38		38		38		38	81	38		38	44	38	101	38		38		38		38		38	
39		39		39		39		39	58	39		39	44	39	111	39		39		39		39		39	
40		40		40		40		40	38	40		40	80	40	44	40		40		40		40		40	
41		41		41		41		41	38	41		41	80	41	44	41		41		41		41		41	
42		42		42		42		42	58	42		42	44	42	111	42		42		42		42		42	
43		43		43		43		43		43		43	86	43	110	43		43		43		43		43	
44		44		44		44		44		44		44		44		44		44		44		44		44	
45		45		45		45		45		45		45		45		45		45		45		45		45	
46		46		46		46		46		46		46		46		46		46		46		46		46	
47		47		47		47		47		47		47		47		47		47		47		47		47	

ROW B

PIN LOCATOR

LOC	14	LOC	15	LOC	16	LOC	17	LOC	18	LOC	19	LOC	20	LOC	21	LOC	22	LOC	23	LOC	24	LOC	25	LOC		
PIN	PAGE	PIN	PAGE	PIN	PAGE	PIN	PAGE	PIN	PAGE	PIN	PAGE	PIN	PAGE	PIN	PAGE	PIN	PAGE	PIN	PAGE	PIN	PAGE	PIN	PAGE	PIN	PAGE	
1	76	1	60	1	73	1	61	1	74	1	62	1	76	1	62	1	79	1	63	1	80	1	63	1		
2		2		2		2		2		2		2		2		2		2		2		2		2		
3		3		3		3		3		3		3		3		3		3		3		3		3		
4	53	4	55	4		4	56	4		4	57	4		4	61	4		4	62	4		4	63	4		
5		5		5		5		5		5		5		5		5		5		5		5		5		
6		6		6		6		6		6		6		6		6		6		6		6		6		
7		7		7		7		7		7		7		7		7		7		7		7		7		
8		8		8		8		8		8		8		8		8		8		8		8		8		
9		9		9		9		9		9		9		9		9		9		9		9		9		
10		10		10		10		10		10		10		10		10		10		10		10		10		
11		11		11		11		11		11		11		11		11		11		11		11		11		
12		12		12		12		12		12		12		12		12		12		12		12		12		
13		13		13		13		13		13		13		13		13		13		13		13		13		
14		14		14		14		14	75	14		14		14		14		14		14		14	81	14		
15		15		15		15		15		15		15		15		15		15		15		15		15		
16	48	16	49	16		16	49	16		16	50	16		16	50	16		16	51	16		16	51	16		
17		17		17		17		17		17		17		17		17		17		17		17		17		
18		18		18		18		18		18		18		18		18		18		18		18		18		
19		19		19		19		19		19		19		19		19		19		19		19		19		
20		20		20		20		20		20		20		20		20		20		20		20		20		
21		21		21		21		21		21		21		21		21		21		21		21		21		
22		22		22		22		22		22		22		22		22		22		22		22		22		
23		23		23		23		23		23		23		23		23		23		23		23		23		
24		24		24		24		24		24		24		24		24		24		24		24		24		
25		25		25		25		25		25		25		25		25		25		25		25		25		
26		26		26		26		26		26		26		26		26		26		26		26		26		
27		27		27		27		27		27		27	77	27		27	80	27		27		27		27		
28		28		28		28		28		28		28		28		28		28		28		28		28		
29		29		29	74	29		29		29		29		29		29		29		29		29		29		
30		30		30		30		30		30		30		30		30		30		30		30		30		
31		31		31		31		31		31		31		31		31		31		31		31		31		
32		32		32		32		32		32		32		32		32		32		32		32		32		
33		33		33		33		33		33		33		33		33		33		33		33		33		
34		34		34		34		34	75	34		34	77	34		34	80	34		34		34	81	34		
35		35		35		35		35		35		35		35		35		35		35		35		35		
36		36		36		36		36		36		36		36		36		36		36		36		36		
37	53	37	55	37		37	56	37		37	57	37		37	61	37		37	62	37		37	63	37		
38		38		38		38		38		38		38		38		38		38		38		38		38		
39		39		39		39		39		39		39		39		39		39		39		39		39		
40		40		40		40		40		40		40		40		40		40		40		40		40		
41		41		41		41		41	74 & 75	41		41	77 & 76	41		41	79 & 80	41		41		41	80 & 81	41		
42		42		42		42		42		42		42		42		42		42		42		42		42		
43		43		43		43		43		43		43		43		43		43		43		43		43		
44		44		44		44		44		44		44		44		44		44		44		44		44		
45		45		45		45		45		45		45		45		45		45		45		45		45		
46		46		46		46		46		46		46		46		46		46		46		46		46		
47		47		47		47		47		47		47		47		47		47		47		47		47		

ROW
B

PIN LOCATOR

LOC	1	LOC	2	LOC	3	LOC	4	LOC	5	LOC	6	LOC	7	LOC	8	LOC	9	LOC	10	LOC	11	LOC	12	LOC	13
PIN	PAGE	PIN	PAGE	PIN	PAGE	PIN	PAGE	PIN	PAGE	PIN	PAGE	PIN	PAGE	PIN	PAGE	PIN	PAGE	PIN	PAGE	PIN	PAGE	PIN	PAGE	PIN	PAGE
1		1	40	1		1	41	1		1	67	1	68	1	68	1	81	1		1	69	1	70	1	71
2		2		2		2		2		2	↓	2		2	69	2	68	2	69	2	↓	2		2	
3		3		3	40	3		3	41	3	↓	3		3		3	69	3	↓	3		3		3	
4		4		4	↓	4		4		4	↓	4		4		4		4	↓	4		4		4	
5		5		5	↓	5		5		5	68	5		5		5		5	↓	5	70	5		5	
6		6		6	↓	6		6		6	↓	6		6		6		6	↓	6	70	6		6	
7		7		7	41	7		7		7	↓	7		7		7		7	69	7		7		7	
8		8		8		8		8		8	34	8		8		8		8		8	69	8		8	
9		9		9		9		9		9	34	9		9		9		9		9	69 & 70	9		9	
10		10		10		10		10		10	43	10		10		10		10		10	70	10		10	
11		11		11		11		11		11	↓	11		11		11		11		11	↓	11		11	
12		12		12		12		12		12	↓	12		12		12		12		12	↓	12		12	
13		13		13		13		13		13	↓	13		13	↓	13		13		13	69 & 70	13	↓	13	
14		14		14		14		14		14	↓	14		14	68	14		14		14	69	14	71	14	
15		15		15		15		15		15	↓	15		15	68	15		15		15		15		15	
16		16		16	↓	16		16	↓	16		16	↓	16		16		16		16	69	16		16	
17		17		17	40	17		17	43	17	↓	17	69	17	↓	17		17		17		17		17	
18		18		18		18		18		18	↓	18		18	69	18		18		18		18		18	
19		19		19		19		19		19	67	19		19		19		19		19		19		19	
20		20		20		20		20		20	↓	20		20		20		20		20		20		20	
21		21		21		21		21		21	↓	21		21		21		21		21		21		21	
22		22		22		22		22		22	36	22		22		22		22		22		22		22	
23		23		23		23		23		23	↓	23		23		23		23		23		23		23	
24		24		24		24		24		24	↓	24		24		24		24		24		24		24	
25		25		25		25		25		25	68	25		25		25		25		25	↓	25		25	
26		26		26		26		26		26	↓	26		26		26		26		26	69 & 70	26	↓	26	
27		27		27		27		27		27	↓	27		27		27		27		27	70	27	70	27	
28		28		28		28		28		28	44	28		28		28		28		28	70	28		28	
29		29		29		29		29		29	↓	29		29		29		29		29	69 & 70	29		29	
30		30		30		30		30		30	↓	30		30		30		30		30	70	30		30	
31		31	40 & 41	31		31		31		31	41	31		31		31		31		31		31		31	
32		32	41	32		32		32		32	41	32		32		32		32		32		32	↓	32	
33		33		33		33		33		33	43	33		33		33		33		33		33		33	
34		34		34	43	34		34		34	43	34	68	34		34		34		34		34	70	34	
35		35		35		35		35		35	↓	35		35		35		35		35		35		35	
36		36		36		36		36		36	43	36		36		36		36		36	↓	36		36	↓
37		37		37		37		37		37	43	37		37		37		37		37	69	37		37	71
38		38		38		38		38		38	↓	38		38		38		38		38		38		38	70 & 71
39		39		39		39		39		39	85	39		39		39		39		39		39		39	70
40		40		40		40		40		40	43	40		40		40		40		40		40		40	70
41		41	↓	41		41	↓	41		41	43	41		41		41		41		41	↓	41		41	71
42		42		42		42		42		42	85	42		42		42		42		42		42		42	
43		43		43	↓	43		43	↓	43	67	43	↓	43	↓	43	↓	43	↓	43		43	↓	43	
44		44		44		44		44		44		44		44		44		44		44		44		44	
45		45		45		45		45		45		45		45		45		45		45		45		45	
46		46		46		46		46		46		46		46		46		46		46		46		46	
47		47		47		47		47		47		47		47		47		47		47		47		47	

ROW
C

PIN LOCATOR

LOC	14	LOC	15	LOC	16	LOC	17	LOC	18	LOC	19	LOC	20	LOC	21	LOC	22	LOC	23	LOC	24	LOC	25	LOC
PIN	PAGE	PIN	PAGE	PIN	PAGE	PIN	PAGE	PIN	PAGE	PIN	PAGE	PIN	PAGE	PIN	PAGE	PIN	PAGE	PIN	PAGE	PIN	PAGE	PIN	PAGE	
1	71	1	72	1	73	1	74	1	38	1	42	1	42	1	77	1	78	1	79	1		114	1	
2		2		2		2		2		2		2		2		2		2		2		2		
3		3		3		3		3		3		3		3		3		3		3		3		
4		4		4		4		4	75	4	76	4	77	4		4		4		4	80	4	81	
5		5		5		5		5		5		5		5		5		5		5		5		
6		6		6		6		6		6		6		6		6		6		6		6		
7		7		7		7		7		7		7		7		7		7		7		7		
8		8		8		8		8		8		8		8		8		8		8		8		
9		9		9		9		9		9		9		9		9		9		9		9		
10		10		10		10		10		10		10		10		10		10		10		10		
11		11		11		11		11		11		11		11		11		11		11		11		
12		12		12		12		12		12		12		12		12		12		12		12		
13		13		13		13		13		13		13		13		13		13		13		13		
14	72	14		14		14		14		14		14		14	78	14		14		14		14		
15		15		15		15		15		15		15		15		15		15		15		15		
16		16		16		16		16		16		16		16		16		16		16		16		
17		17		17		17		17		17		17		17		17		17		17		17		
18		18		18		18		18		18		18		18		18		18		18		18		
19		19		19		19		19		19		19		19		19		19		19		19		
20		20		20		20		20		20		20		20		20		20		20		20		
21		21		21		21		21		21		21		21		21		21		21		21		
22		22		22		22		22		22		22		22		22		22		22		22		
23		23		23		23		23		23		23		23		23		23		23		23		
24		24		24		24		24		24		24		24		24		24		24		24		
25		25		25		25		25		25		25		25		25		25		25		25		
26		26		26		26		26		26		26		26		26		26		26		26		
27		27		27		27		27		27		27		27		27		27		27		27		
28		28		28		28		28		28		28		28		28		28		28		28		
29		29		29		29		29		29		29		29		29		29		29		29		
30		30		30		30		30		30		30		30		30		30		30		30		
31		31		31		31		31		31		31		31		31		31		31		31		
32		32		32		32		32		32		32		32		32		32		32		32		
33		33		33		33		33		33		33		33		33		33		33		33		
34	72	34		34	73	34		34		34		34		34		34		34		34		34		
35		35		35		35		35		35		35		35		35		35		35		35		
36		36		36		36		36		36		36		36		36		36		36		36		
37		37		37	66	37	73	37	46	37	42	37	86	37		37	92	37	92	37		37		
38		38		38		38	73 & 81	38	59 & 46	38		38	86 & 62	38		38		38		38	115	38	38	
39		39		39		39	81	39	59	39		39	62	39		39		39		39	115	39	39	
40		40		40		40	81	40	59	40		40	62	40		40		40		40	115	40	40	
41		41		41		41	73	41	46	41		41	86	41	77 & 78	41		41		41		41	41	
42	71 & 72	42		42		42		42		42		42		42		42		42		42		42	42	
43	71 & 72	43		43		43		43		43		43		43		43		43		43		43	43	
44		44		44		44		44		44		44		44		44		44		44		44	44	
45		45		45		45		45		45		45		45		45		45		45		45	45	
46		46		46		46		46		46		46		46		46		46		46		46	46	
47		47		47		47		47		47		47		47		47		47		47		47	47	

ROW
C

PIN LOCATOR

LOC	1	LOC	2	LOC	3	LOC	4	LOC	5	LOC	6	LOC	7	LOC	8	LOC	9	LOC	10	LOC	11	LOC	12	LOC	13
PIN	PAGE	PIN	PAGE	PIN	PAGE	PIN	PAGE	PIN	PAGE	PIN	PAGE	PIN	PAGE	PIN	PAGE	PIN	PAGE	PIN	PAGE	PIN	PAGE	PIN	PAGE	PIN	PAGE
1		1	67	1	85	1	85	1	82	1	83	1	83	1		1	98	1	98	1	93	1		1	98
2		2	↓	2	↓	2	41	2	↓	2	↓	2	↓	2	↓	2	98	2	98	2	↓	2	↓	2	↓
3	100	3	↓	3	↓	3	85	3	↓	3	↓	3	↓	3	↓	3	96	3	112	3	↓	3	↓	3	↓
4		4	↓	4	↓	4	↓	4	↓	4	↓	4	↓	4	↓	4	↓	4	↓	4	↓	4	↓	4	90
5		5	100	5	99	5	↓	5	↓	5	↓	5	↓	5	↓	5	↓	5	↓	5	38	5	↓	5	↓
6		6	↓	6	↓	6	↓	6	↓	6	↓	6	↓	6	↓	6	↓	6	↓	6	↓	6	38	6	↓
7		7	↓	7	↓	7	82 & 85	7	↓	7	↓	7	↓	7	98 & 106	7	98	7	90, 96, 98	7	↓	7	↓	7	↓
8		8	84	8	↓	8	85	8	84	8	99	8	84	8	106	8		8	98	8	72	8	↓	8	↓
9		9	↓	9	↓	9	↓	9	↓	9	↓	9	↓	9	↓	9	↓	9	↓	9	72	9	↓	9	↓
10		10	↓	10	↓	10	↓	10	↓	10	↓	10	↓	10	↓	10	↓	10	↓	10	97	10	↓	10	↓
11		11	↓	11	↓	11	82	11	↓	11	↓	11	↓	11	98	11	↓	11	96	11	97	11	98	11	↓
12		12	99	12	84	12	↓	12	↓	12	↓	12	↓	12	↓	12	↓	12	↓	12	93	12	↓	12	↓
13		13	↓	13	84	13	↓	13	↓	13	↓	13	↓	13	↓	13	↓	13	↓	13	93	13	↓	13	↓
14		14	↓	14	73	14	↓	14	↓	14	↓	14	↓	14	↓	14	↓	14	90	14	112	14	90	14	↓
15		15	↓	15	73	15	↓	15	82	15	83	15	83	15	↓	15	↓	15	↓	15	↓	15	97	15	↓
16	↓	16	100	16	84	16	↓	16	↓	16	↓	16	↓	16	↓	16	↓	16	↓	16	↓	16	↓	16	97
17	99	17	↓	17	↓	17	82 & 111	17	↓	17	↓	17	↓	17	38	17	↓	17	97	17	↓	17	↓	17	↓
18		18	↓	18	↓	18	82	18	↓	18	↓	18	↓	18	↓	18	↓	18	↓	18	↓	18	96	18	↓
19		19	67	19	99	19	↓	19	↓	19	↓	19	↓	19	↓	19	↓	19	↓	19	38	19	112	19	↓
20		20	↓	20	↓	20	↓	20	↓	20	↓	20	↓	20	↓	20	↓	20	↓	20	↓	20	↓	20	↓
21		21	↓	21	↓	21	↓	21	↓	21	↓	21	↓	21	↓	21	↓	21	↓	21	↓	21	↓	21	↓
22		22	114	22	↓	22	111	22	↓	22	↓	22	↓	22	↓	22	↓	22	↓	22	83	22	↓	22	↓
23		23	↓	23	↓	23	↓	23	↓	23	↓	23	↓	23	↓	23	↓	23	↓	23	↓	23	90 & 96	23	↓
24		24	↓	24	↓	24	↓	24	↓	24	↓	24	↓	24	↓	24	↓	24	↓	24	↓	24	96	24	↓
25	↓	25	100	25	↓	25	↓	25	↓	25	↓	25	↓	25	↓	25	↓	25	↓	25	38	25	↓	25	↓
26	100	26	↓	26	↓	26	85	26	↓	26	↓	26	↓	26	98	26	90	26	96	26	↓	26	↓	26	↓
27		27	↓	27	↓	27	↓	27	↓	27	↓	27	↓	27	↓	27	↓	27	↓	27	↓	27	↓	27	↓
28		28	84	28	↓	28	↓	28	84	28	84	28	99	28	↓	28	↓	28	↓	28	112	28	90	28	↓
29		29	↓	29	↓	29	↓	29	↓	29	↓	29	↓	29	↓	29	↓	29	↓	29	↓	29	↓	29	↓
30		30	↓	30	↓	30	↓	30	↓	30	↓	30	↓	30	↓	30	↓	30	↓	30	↓	30	↓	30	↓
31		31	84	31	111	31	↓	31	↓	31	↓	31	↓	31	↓	31	↓	31	↓	31	71	31	↓	31	↓
32		32	↓	32	111	32	↓	32	↓	32	↓	32	↓	32	↓	32	↓	32	↓	32	71	32	90 & 96	32	↓
33		33	↓	33	85	33	↓	33	↓	33	↓	33	↓	33	↓	33	↓	33	↓	33	90	33	98	33	↓
34		34	↓	34	85	34	↓	34	↓	34	↓	34	↓	34	93	34	↓	34	↓	34	70	34	↓	34	↓
35		35	99	35	111	35	↓	35	82	35	83	35	83	35	↓	35	↓	35	↓	35	112	35	↓	35	↓
36		36	84	36	85	36	↓	36	↓	36	↓	36	↓	36	↓	36	↓	36	↓	36	70	36	↓	36	↓
37		37	84	37	85	37	↓	37	↓	37	↓	37	↓	37	↓	37	↓	37	↓	37	90	37	↓	37	↓
38		38	99	38	111	38	↓	38	↓	38	↓	38	↓	38	↓	38	↓	38	↓	38	112	38	↓	38	↓
39		39	84	39	84	39	↓	39	↓	39	↓	39	↓	39	↓	39	↓	39	↓	39	98	39	↓	39	↓
40		40	99	40	85	40	↓	40	↓	40	↓	40	↓	40	↓	40	↓	40	↓	40	96	40	↓	40	↓
41		41	99	41	85	41	↓	41	↓	41	↓	41	↓	41	↓	41	↓	41	↓	41	96	41	↓	41	↓
42		42	84	42	84	42	↓	42	↓	42	↓	42	↓	42	↓	42	↓	42	↓	42	98	42	↓	42	↓
43	↓	43	67	43	↓	43	↓	43	↓	43	↓	43	↓	43	↓	43	↓	43	↓	43	↓	43	↓	43	↓
44		44	↓	44	↓	44	↓	44	↓	44	↓	44	↓	44	↓	44	↓	44	↓	44	↓	44	↓	44	↓
45		45	↓	45	↓	45	↓	45	↓	45	↓	45	↓	45	↓	45	↓	45	↓	45	↓	45	↓	45	↓
46		46	↓	46	↓	46	↓	46	↓	46	↓	46	↓	46	↓	46	↓	46	↓	46	↓	46	↓	46	↓
47		47	↓	47	↓	47	↓	47	↓	47	↓	47	↓	47	↓	47	↓	47	↓	47	↓	47	↓	47	↓

ROW D

PIN LOCATOR

LOC	14	LOC	15	LOC	16	LOC	17	LOC	18	LOC	19	LOC	20	LOC	21	LOC	22	LOC	23	LOC	24	LOC	25	LOC
PIN	PAGE	PIN	PAGE	PIN	PAGE	PIN	PAGE	PIN	PAGE	PIN	PAGE	PIN	PAGE	PIN	PAGE	PIN	PAGE	PIN	PAGE	PIN	PAGE	PIN	PAGE	
1	97	1	97	1	96	1	94	1	94	1	95	1	93	1		1	92	1	90	1	91	1	91	1
2		2		2		2		2		2		2		2	95	2		2		2		2		2
3		3		3		3		3		3		3		3		3		3		3		3		3
4		4		4	↓	4		4		4		4		4		4		4	92	4	92	4	92	4
5		5		5	98	5		5		5		5		5		5		5		5		5		5
6		6		6	98	6		6		6		6		6	↓	6		6		6		6		6
7		7		7	96	7		7		7		7	↓	7	92	7		7		7		7		7
8		8		8	96	8		8		8		8	95	8		8		8		8		8		8
9		9		9	96 & 98	9		9		9		9		9		9	↓	9		9		9		9
10		10		10	98	10		10		10		10	↓	10		10		10		10		10		10
11		11		11		11		11		11		11	93 & 95	11		11	92	11		11		11		11
12		12		12	↓	12		12		12		12	93	12		12		12		12		12		12
13		13		13	96 & 98	13		13		13		13		13		13	↓	13		13		13		13
14		14		14	96	14		14		14		14		14		14		14		14		14		14
15		15		15	96	15		15		15		15		15		15	92	15	↓	15		15		15
16		16		16	94	16		16		16		16		16	↓	16		16	91	16		16		16
17		17		17		17		17		17		17		17	95	17	↓	17		17		17		17
18		18		18		18		18		18		18		18		18		18		18		18		18
19		19		19		19		19		19		19		19		19	92	19		19		19		19
20		20		20		20		20		20		20		20		20		20		20		20		20
21		21		21		21		21		21		21		21		21		21		21		21		21
22		22		22		22		22		22		22		22		22		22		22		22		22
23		23		23		23		23		23		23		23		23		23		23		23		23
24		24		24		24		24		24		24		24		24		24		24		24		24
25		25		25		25		25		25		25		25		25		25	↓	25		25		25
26		26		26		26		26		26		26		26		26		26	91 & 92	26		26		26
27		27		27		27		27		27		27		27		27		27	92	27		27		27
28		28		28		28		28		28		28		28		28		28	92	28		28		28
29		29		29		29		29		29		29		29		29		29	91 & 92	29		29		29
30		30		30		30		30		30		30		30		30		30	92	30		30		30
31		31		31		31		31		31		31		31		31		31		31		31		31
32	↓	32	↓	32		32	↓	32	↓	32		32		32		32		32		32	↓	32	↓	32
33		33		33		33		33		33		33		33	↓	33		33		33		33		33
34		34		34		34		34		34		34		34	92	34		34		34		34		34
35		35		35		35		35		35		35		35		35		35		35		35		35
36		36	66	36	↓	36		36		36		36		36		36		36		36		36		36
37	97	37	97	37	95	37	94	37	94	37		37		37		37		37		37	115	37	92	37
38		38		38	94 & 95	38		38		38		38		38		38		38		38		38		38
39	97	39	97	39	94	39	94	39	94	39		39		39		39		39		39	91	39	91	39
40	97	40	97	40	94	40	94	40	94	40		40		40		40		40		40	91	40	91	40
41		41		41	95	41		41		41	↓	41	↓	41		41		41		41	↓	41		41
42		42		42		42		42		42		42		42		42		42		42		42		42
43		43		43		43		43		43		43		43	↓	43	↓	43		43		43		43
44		44		44		44		44		44		44		44		44		44		44		44		44
45		45		45		45		45		45		45		45		45		45		45		45		45
46		46		46		46		46		46		46		46		46		46		46		46		46
47		47		47		47		47		47		47		47		47		47		47		47		47

ROW
D

PIN LOCATOR

LOC	1	LOC	2	LOC	3	LOC	4	LOC	5	LOC	6	LOC	7	LOC	8	LOC	9	LOC	10	LOC	11	LOC	12	LOC	13
PIN	PAGE	PIN	PAGE	PIN	PAGE	PIN	PAGE	PIN	PAGE	PIN	PAGE	PIN	PAGE	PIN	PAGE	PIN	PAGE	PIN	PAGE	PIN	PAGE	PIN	PAGE	PIN	PAGE
1	87	1	88	1	89	1	87	1	113	1	111	1	86	1	110	1	81	1	107	1		1		1	
2		2		2		2	33	2		2	33	2	33	2		2	107	2	107	2		2		2	
3		3		3		3	87	3		3	111	3	86	3		3	106	3	106	3	106	3	106	3	109
4		4		4		4		4		4		4		4		4		4		4		4		4	
5		5		5		5		5		5		5		5	81	5		5		5		5		5	
6		6		6		6		6		6		6		6		6		6		6		6		6	
7		7		7		7	87 & 111	7		7	108	7	108	7		7	106 & 107	7		7		7		7	106
8		8		8		8	111	8		8		8		8	114	8	106	8		8		8		8	
9		9		9		9		9		9		9		9	114	9		9		9		9		9	
10		10		10		10		10		10		10		10	107	10		10		10		10		10	
11		11		11		11	87	11		11		11		11		11	107	11		11		11		11	
12		12		12		12		12		12		12		12		12		12		12		12		12	
13		13		13		13		13		13		13		13		13		13		13		13		13	
14		14		14		14		14		14		14		14	112	14		14		14		14		14	
15		15		15		15		15		15		15		15		15		15		15		15		15	
16		16		16		16		16		16		16		16		16		16		16		16		16	
17		17		17		17		17		17	108 & 113	17		17		17		17		17		17		17	
18		18		18		18		18		18	108	18		18		18		18		18		18		18	
19		19		19		19		19		19		19		19	86	19		19		19		19		19	
20		20		20		20		20		20		20		20		20		20		20		20		20	
21		21		21		21		21	108 & 113	21		21		21		21		21		21		21		21	
22		22		22		22		22	108	22	113	22		22	81	22		22		22		22		22	
23		23		23		23		23		23		23		23		23		23		23		23		23	
24		24		24		24		24		24		24		24		24		24		24		24		24	
25		25		25		25		25		25		25		25	42	25		25		25		25		25	
26		26		26		26	87 & 89	26		26	108	26		26		26		26		26		26		26	
27		27		27		27	87	27		27		27		27		27		27		27		27		27	
28		28		28		28		28		28		28		28	112	28		28		28		28		28	
29		29		29		29		29		29		29		29		29		29		29		29		29	
30		30		30		30		30		30		30		30		30		30		30		30		30	
31		31		31		31	89	31		31		31		31	107	31		31		31		31		31	
32		32		32		32		32		32		32		32	107	32		32		32		32		32	
33		33		33		33		33		33		33		33	112	33		33		33		33		33	
34		34		34		34	88 & 89	34		34	112	34	112	34	107	34		34		34		34	107	34	107
35		35		35		35	89	35		35		35		35	111	35		35		35		35		35	
36		36		36		36		36		36		36		36	107	36		36		36		36		36	
37		37		37		37		37		37		37		37	112	37		37		37		37		37	
38		38		38		38	88	38		38		38		38	111	38		38		38		38		38	
39		39		39		39		39		39		39		39	107	39		39		39		39		39	
40		40		40		40		40		40		40		40		40		40		40		40		40	
41		41		41		41		41		41		41		41		41		41		41		41		41	
42		42		42		42		42		42		42		42		42		42		42		42		42	
43		43		43		43		43		43		43		43	110	43		43		43		43		43	
44		44		44		44		44		44		44		44		44		44		44		44		44	
45		45		45		45		45		45		45		45		45		45		45		45		45	
46		46		46		46		46		46		46		46		46		46		46		46		46	
47		47		47		47		47		47		47		47		47		47		47		47		47	

ROW
E

PIN LOCATOR

LOC	14	LOC	15	LOC	16	LOC	17	LOC	18	LOC	19	LOC	20	LOC	21	LOC	22	LOC	23	LOC	24	LOC	25	LOC
PIN	PAGE	PIN	PAGE	PIN	PAGE	PIN	PAGE	PIN	PAGE	PIN	PAGE	PIN	PAGE	PIN	PAGE	PIN	PAGE	PIN	PAGE	PIN	PAGE	PIN	PAGE	
1	109	1	105	1	110	1	105	1	105	1	37	1		1	102	1		1		1		1		
2		2	↓	2		2	105	2	104	2		2		2		2	102	2		2		2		
3		3	↓	3	103	3	103	3	105	3	102	3	102	3		3		3		3	102	3		
4		4	↓	4		4		4		4		4		4		4		4		4		4		
5		5	110	5		5		5		5		5		5		5		5		5		5		
6		6	↓	6	↓	6	↓	6	↓	6		6		6		6		6		6		6		
7		7	↓	7	104	7	104	7	104	7		7		7	↓	7		7		7		7		
8		8	77	8		8		8		8		8		8		8	104	8		8		8		
9		9	77	9		9		9		9		9		9		9		9		9		9		
10		10	103	10		10		10		10		10		10		10		10		10		10		
11		11	103	11		11		11		11		11		11	102, 104	11		11		11		11		
12		12	110	12		12		12		12		12		12	102	12		12		12		12		
13		13	110	13		13		13		13		13		13		13		13		13		13		
14		14	105	14		14		14		14		14		14		14		14		14		14		
15		15	105	15		15		15		15		15		15		15		15		15		15		
16		16	110	16		16		16		16		16		16		16		16		16		16		
17		17	↓	17	103	17	103	17	105	17	105	17		17		17	104	17		17		17		
18		18	↓	18		18		18		18		18		18		18		18		18		18		
19		19	64	19		19		19		19		19		19		19		19	105	19		19		
20	↓	20	↓	20		20		20		20		20		20	↓	20		20		20		20		
21	106 & 109	21	↓	21		21		21		21		21		21	102 & 103	21		21		21		21		
22	106	22	29	22		22		22		22		22		22	104	22		22	↓	22		22		
23		23	↓	23		23		23		23		23		23		23		23		23		23		
24		24	↓	24		24		24		24		24		24		24		24		24		24		
25		25	81	25		25		25		25		25	↓	25		25	↓	25		25		25		
26		26	↓	26		26		26		26		26	95	26		26	102	26		26		26		
27	↓	27	↓	27		27		27		27		27		27		27		27		27		27		
28	107	28	42	28		28		28		28		28		28		28		28		28		28		
29		29	↓	29		29		29		29		29		29		29		29		29		29		
30		30	↓	30		30		30		30		30		30		30		30		30		30		
31		31	64	31		31		31		31		31	102	31		31		31		31		31		
32		32	64	32		32		32		32		32		32		32		32		32		32		
33		33	103	33	↓	33	↓	33	↓	33	↓	33		33		33		33	104	33	↓	33		
34	↓	34	21	34	81, 99, 64	34	110	34	104	34	102	34		34		34		34	104	34	104	34		
35	106	35	105	35	81	35		35		35		35		35		35		35		35		35		
36		36	21	36	↓	36		36		36		36		36		36		36		36		36		
37		37	103	37	↓	37		37		37		37		37		37		37		37		37		
38		38	105	38	64	38		38		38		38		38		38		38		38		38		
39		39	↓	39		39		39		39		39		39		39		39		39		39		
40		40	↓	40		40		40		40		40		40		40		40		40		40		
41	↓	41	↓	41	99	41		41		41		41		41	↓	41		41		41		41		
42		42	↓	42		42		42		42		42		42		42		42		42		42		
43		43	21	43	↓	43	↓	43	↓	43	↓	43	↓	43		43	↓	43	↓	43	↓	43		
44		44		44		44		44		44		44		44		44		44		44		44		
45		45		45		45		45		45		45		45		45		45		45		45		
46		46		46		46		46		46		46		46		46		46		46		46		
47		47		47		47		47		47		47		47		47		47		47		47		

ROW
E

PIN LOCATOR

LOC	1	LOC	2	LOC	3	LOC	4	LOC	5	LOC	6	LOC	7	LOC	8	LOC	9	LOC	10	LOC	11	LOC	12	LOC	13
PIN	PAGE	PIN	PAGE	PIN	PAGE	PIN	PAGE	PIN	PAGE	PIN	PAGE	PIN	PAGE	PIN	PAGE	PIN	PAGE	PIN	PAGE	PIN	PAGE	PIN	PAGE	PIN	PAGE
1	114	1	64	1	99	1	110	1	111	1	38	1	18	1	26	1	33	1	31	1	21	1	26	1	30
2		2		2	112	2		2	110	2		2		2		2	26	2		2		2	21	2	
3		3		3	110	3		3	64	3		3		3		3		3		3		3		3	
4		4		4		4	↓	4		4		4		4		4		4		4		4		4	
5		5		5		5	112	5		5		5		5		5	↓	5		5		5	↓	5	
6		6		6		6	↓	6		6		6		6		6	33	6		6		6		6	
7		7		7	111, 112, 114	7	↓	7	111	7	↓	7	↓	7	↓	7	26	7		7		7	21	7	
8		8		8	111	8	115	8		8	33	8	38	8		8		8		8		8		8	
9		9		9		9	115	9		9	33	9		9		9	↓	9		9		9	↓	9	
10		10		10		10	111	10		10	111	10		10		10	33	10		10		10		10	
11		11		11	114	11		11		11	111	11	38 & 99	11		11	31	11		11	25 & 21	11	21	11	
12		12		12		12		12		12	19	12	99	12		12		12		12		12		12	
13		13		13	↓	13	↓	13		13	19	13		13		13	↓	13		13		13	↓	13	
14		14		14	112	14	115	14		14	33	14	↓	14		14	33	14		14		14	16	14	
15		15		15		15		15		15	33	15	18	15		15	19	15		15	21	15	21	15	
16		16		16		16	↓	16		16		16		16		16		16		16		16		16	
17		17		17	110	17		17	111 & 42	17		17		17		17		17		17		17	↓	17	
18		18		18		18	↓	18	42	18		18		18		18	↓	18		18		18	22	18	
19		19		19		19	110	19		19	111	19		19		19	26	19		19		19		19	
20		20		20		20		20		20		20		20		20		20		20		20		20	
21		21		21		21	↓	21		21		21		21		21		21		21		21		21	
22		22		22		22	111	22	111	22		22		22		22	↓	22		22		22	↓	22	
23		23		23		23		23		23		23		23		23	19	23		23		23	21	23	
24		24		24		24	↓	24		24		24		24		24		24		24		24		24	
25		25		25	↓	25	110	25		25	99	25		25		25		25		25		25		25	
26		26		26	111	26		26		26		26		26		26		26		26		26		26	
27		27		27		27		27		27	↓	27	↓	27	↓	27		27		27		27	↓	27	↓
28		28		28		28		28		28		28	33	28	22	28		28		28	25	28		28	25
29		29		29		29		29		29		29		29		29		29		29		29		29	
30		30		30		30	↓	30		30		30		30		30	↓	30		30		30		30	
31		31		31		31	115	31		31	33	31		31	22 & 113	31		31	26	31		31		31	
32		32		32		32	115	32		32	33	32		32	113	32		32		32		32		32	
33		33		33	↓	33	99	33		33	111	33		33		33		33		33		33		33	
34		34		34	99, 111	34	115	34		34	33	34	↓	34	↓	34		34		34		34	↓	34	↓
35		35		35		35	110	35		35		35	18	35	26	35		35	31	35	21	35		35	30
36		36		36		36	115	36		36	↓	36		36		36		36		36		36		36	
37		37		37		37	99	37		37	111	37		37		37		37		37		37		37	
38		38		38	64	38	110	38		38	33	38		38		38		38		38		38		38	
39		39		39		39	110	39		39		39		39		39		39		39		39		39	
40		40		40		40	111	40		40		40		40		40		40		40		40		40	
41	↓	41	↓	41	111	41	111	41		41		41	↓	41	↓	41		41		41	↓	41		41	↓
42		42		42		42	110	42		42		42		42		42		42		42		42		42	
43		43		43		43	110	43	↓	43	32	43		43		43		43		43		43	↓	43	
44		44		44		44		44		44		44		44		44		44		44		44		44	
45		45		45		45		45		45		45		45		45		45		45		45		45	
46		46		46		46		46		46		46		46		46		46		46		46		46	
47		47		47		47		47		47		47		47		47		47		47		47		47	

ROW
F

PIN LOCATOR

LOC	14	LOC	15	LOC	16	LOC	17	LOC	18	LOC	19	LOC	20	LOC	21	LOC	22	LOC	23	LOC	24	LOC	25	LOC	PAGE
PIN	PAGE	PIN	PAGE	PIN	PAGE	PIN	PAGE	PIN	PAGE	PIN	PAGE	PIN	PAGE	PIN	PAGE	PIN	PAGE	PIN	PAGE	PIN	PAGE	PIN	PAGE	PIN	PAGE
1	22	1	25	1	42	1	29	1	32	1	32	1	23	1	23	1	26	1	28	1	27	1	24	1	
2		2		2	21, 25	2		2	32	2		2	23	2	23	2	26	2	28	2	27	2	24	2	
3		3		3	25	3		3	29	3		3	↓	3	↓	3	↓	3		3		3		3	
4		4		4	↓	4		4		4		4	16	4	17	4	28	4		4		4		4	
5		5		5	↓	5		5		5	37	5		5		5		5		5		5		5	
6		6		6		6		6		6		6		6		6		6		6		6		6	
7		7		7	21	7		7		7		7		7		7		7		7		7		7	
8		8		8	↓	8		8		8	64	8		8		8		8		8		8		8	
9		9		9	↓	9		9		9	64	9		9		9		9		9		9		9	
10		10		10	↓	10		10		10	32	10		10		10		10		10		10		10	
11		11		11	19	11		11		11	32	11		11		11		11	28 & 83	11	22 & 30	11	32	11	
12		12		12	↓	12		12		12	32	12		12		12		12	83	12	22	12	32	12	
13		13		13	↓	13		13		13		13		13		13		13		13		13		13	
14		14		14	↓	14		14		14		14		14		14		14		14		14		14	
15		15		15	↓	15		15		15		15		15		15		15		15		15		15	
16		16		16	↓	16		16		16	19	16		16		16	23	16		16		16		16	
17		17		17	↓	17		17	20	17		17		17		17		17		17		17		17	
18		18		18	↓	18		18		18		18		18		18		18		18		18		18	
19		19		19	42	19		19		19	16	19		19		19		19		19		19		19	
20		20		20	↓	20		20		20		20		20		20		20		20		20		20	
21		21		21	↓	21	20 & 29	21		21		21		21		21		21		21		21		21	
22		22		22	↓	22	20	22		22	37	22	32	22		22		22		22		22		22	
23		23		23	19	23		23		23		23		23		23		23		23		23		23	
24		24		24	↓	24		24		24		24		24		24		24		24		24		24	
25		25		25	↓	25		25		25	16	25		25		25		25		25		25		25	
26		26		26	↓	26		26	29	26		26	16	26		26	17 & 23	26		26		26		26	
27		27		27	↓	27		27		27		27		27		27	17	27		27		27		27	
28		28		28	↓	28		28		28	32	28		28		28	17	28		28		28		28	
29		29		29	↓	29		29		29		29		29		29	17 & 23	29		29		29		29	
30		30		30	↓	30		30		30		30		30		30	17	30		30		30		30	
31		31		31	↓	31		31		31	111	31		31		31		31		31		31		31	
32		32		32	↓	32		32		32	111	32	16 & 32	32		32		32		32		32		32	
33		33		33	20	33		33		33		33		33		33		33		33		33		33	
34		34		34	↓	34		34	20	34		34		34		34		34		34		34		34	
35		35		35	↓	35		35		35	32	35		35		35		35		35		35		35	
36		36		36	↓	36		36		36	32	36		36		36		36		36		36		36	
37		37		37	↓	37		37		37	16	37		37		37		37		37		37		37	
38		38		38	↓	38		38		38	37	38		38		38	17	38		38		38		38	
39		39		39	↓	39		39		39		39		39		39		39		39		39		39	
40		40		40	↓	40		40		40		40	23	40	23	40		40		40		40		40	
41	↓	41	↓	41	↓	41	↓	41	↓	41	↓	41	↓	41	↓	41	↓	41	↓	41	↓	41	↓	41	↓
42		42		42	↓	42		42		42		42		42		42		42		42		42		42	
43		43		43	↓	43		43		43		43		43		43		43		43		43		43	
44		44		44	↓	44		44		44		44		44		44		44		44		44		44	
45		45		45	↓	45		45		45		45		45		45		45		45		45		45	
46		46		46	↓	46		46		46		46		46		46		46		46		46		46	
47		47		47	↓	47		47		47		47		47		47		47		47		47		47	

ROW
F

920 MODULE LOCATION CHART

	1	2	3	4	5	6	7	8	9	10	11	12	13	14	15	16	17	18	19	20	21	22	23	24	25		
A	GO			Cp	Ex										S1		S3		S5		S7		S9	S11		S13	A
	FK52	GK52	GK51	FK52	FK52	GK51	GK51		GK51	GK51	IK51	GK51	GK51	FK52	GK51	FK52	GK52	FK52	GK51	FK52	GK51	FK52	FK52	GK51	FK52	GK51	FK52
B	Ht			C24	la										S2		S4		S6		S8		S10	S12		S14	B
	Q1	Q3	Q5											P1	P3		P5		P7		P9		P11		P13		P15
C	FK52	FK52	FK52	GK51	IK51	GK51	IK51	IK51	GK51	GK51	IK51	GK51	GK51	FK51	FK51	IK52	FK51	IK52	FK51	IK52	FK51	IK52	FK51	IK52	FK51	IK52	FK51
	Q2	Q4	Q6											P2	P4		P6		P8		P10		P12		P14		P16
D	"Y"	F1		F2							C0		C2		C4	C6	C8	C10	C12	C14		C16	C18	C20	C22		
	BUFF	FK52	GK51	FK52	GK51	IK51	GK51	GK52	GK51	GK51	FK51	IK52	FK51	IK52	FK51	FK51	FK51	FK51	FK51	FK51	FK51	IK52	FK51	FK51	FK51	FK51	
E	P9	F3		Rf							C1		C3		C5	C7	C9	C11	C13	C15		C17	C19	C21	C23		
	GK51	IK51	IK51	GK51	FK52	FK52	FK52	GK51	GK51	GK51	IK51	GK52	FK51	DK51	DK51	FK51	DK51	DK51	FK52	FK52	GK51	GK52	FK51	DK51	DK51		
F	D1	D3	D5		O1	O3	O5						Xn			Br			Be	Ae			Ar				
	FK52	FK52	FK52	GK51	FK52	FK52	FK52	GK51	GK51	GK51	GK51	GK51	GK51	FK52	IK51	GK51	GK51	GK51	GK51	GK51	GK51	FK52	GK51	CK53	GK51	CK54	
G	D2	D4	D6		O2	O4	O6						Xw			Bw			Bn	An			Aw				
	Tsm	Ts						W13	W12		W11	W10		W9	W4	W7		Wf					Wn	R1	R2	R3	
H	FK52	FK52	GK51	IK51	GK51	IK51	FK52	FK52	GK52	FK52	FK52	GK52	FK52	FK52	FK52	FK52	GK52	FK52	GK51	IK51	DK51	DK51	FK51	FK52	FK52	FK52	
	D2	D4	D6		Po									En								Of					
I	Int	Wp					W14	We		Wo	Wn		W6	W5	W8		Rp					Ww	R6	R5	R4		
J		CONTROL PANEL		POT	EOM	INT. LACE	AUX	AUX	AUX	AUX	MAG TAPE	PIN	PRI INT	INTERRUPT LOGIC		PHOTO RDR	PHOTO RDR AMP	PHOTO RDR	LOGIC								
	P1	P2	P3	P10	P10	P10	P6	P6	P6	P6	P14	P15	P8	SK55 1 & 2	SK55 3 & 4	P4	IK54	IK53	RK51	SK56							

See 920 Directory

i thru iv

See 920 Directory

Page vi

PAGE	CHG	PAGE	CHG	PAGE	CHG	PAGE	CHG	PAGE	CHG
1	A	41	F	81	J	121	C	161	D
2	A	42	J	82	A	122	C	162	E
3	A	43	A	83	A	123	C	163	E
4	A	44	A	84	A	124	C	164	E
5	A	45	A	85	A	125	C	165	E
6	A	46	A	86	A	126	C	166	E
7	A	47	A	87	A	127	C	167	E
8	A	48	A	88	A	128	A	168	E
9	A	49	A	89	B	129	A	169	E
10	A	50	A	90	A	130	A	170	J
11	A	51	A	91	A	131	A	171	E
12	A	52	A	92	B	132	A	172	E
13	D	53	A	93	A	133	A	173	E
14	A	54	B	94	A	134	A	174	E
15	A	55	A	95	A	135	A	175	E
16	M	56	A	96	A	136	C		
17	A	57	A	97	A	137	C		
18	A	58	B	98	A	138	D		
19	A	59	A	99	A	139	D		
20	A	60	A	100	A	140	A		
21	J	61	A	101	G	141	A		
22	A	62	A	102	B	142	A		
23	A	63	A	103	A	143	J		
24	A	64	F	104	B	144	A		
25	J	65	A	105	A	145	D		
26	L	66	A	106	A	146	F		
27	A	67	G	107	F	147	F		
28	A	68	A	108	A	148	F		
29	A	69	B	109	A	149	F		
30	D	70	A	110	J	150	J		
31	J	71	A	111	A	151	M		
32	F	72	A	112	A	152	J		
33	F	73	A	113	A	153	J		
34	A	74	A	114	F	154	D		
35	A	75	A	115	F	155	M		
36	A	76	A	116	G	156	A		
37	F	77	A	117	K	157	M		
38	A	78	A	118	A	158	E		
39	A	79	A	119	A	159	D		
40	A	80	L	120	C	160	D		

NOTES:

1. REV. LETTERS LISTED INDICATE STATUS OF EACH SHEET OF THIS MULTIPLE SHEET DWG.
2. CHECK INDIVIDUAL SHEETS FOR REV LETTER AGAINST THIS SHEET BEFORE USING THIS DWG.

(PAGES 158 THRU 161 NOT USED)

Pin	Logic	Conn Circuit	Pin	Logic	Conn Circuit
1	$\overline{Kb1}$	pullup	25	$Kc5$	Pullup
2			26	$Kc6$	"
3	$\overline{Kb2}$	pullup	27	$Kc7$	"
4			28	$Kc8$	"
5	$\overline{Kb3}$	pullup	29	$Kc9$	"
6			30	$Kc10$	"
7	$\overline{Kb4}$	pullup	31	$Kc11$	"
8			32	$Kc12$	"
9	\overline{En}	pullup	33	$Kc13$	"
10			34	$Kc14$	"
11	St	pullup	35	$Kc15$	"
12			36	$Kc16$	"
13	Kr	pullup	37	$Kc17$	"
14			38	$Kc18$	"
15	Kp	pullup	39	$Kc19$	"
16			40	$Kc20$	"
17	\overline{Kp}	pullup	41	$Kc21$	"
18			42	$Kc22$	"
19			43	$Kc23$	Pullup
20	Kco	pullup	44	+ 0V	
21	$Kc1$	"	45	+ 8V	
22	$Kc2$	"	46	- 25V	
23	$Kc3$	"	47	+ 25V	
24	$Kc4$	pullup			

Key = 6-22

Pin	Logic	Conn Circuit	Pin	Logic	Conn Circuit
1	Kg	Pulldown	25	Kx'	Pulldown
2			26	Kx	Pullup
3	\overline{Kg}	Pulldown	27	Kc'	Pulldown
4	$(En + \overline{Em})$	100K	28		
5	$\overline{Cp} Ht$	"	29	Kf	Pulldown
6	$Cp Ht$	"	30		
7	Of	"	31	Clock Margin	(short)
8	We	"	32		"
9	$(W9)$	"	33	Voltage Reg. Margin	"
10	$(W10)$	"	34		"
11	$(W11)$	"	35	Current Reg. Margin	"
12	$(W12)$	"	36		
13	$(W13)$	"	37	Kcr	Pulldown
14	$(W14)$	100K	38		
15	Ks	Pulldown	39		(short)
16			40		
17	\overline{Ks}	Pulldown	41		(short)
18			42		
19	\overline{Kf}	Pulldown	43	+ 50V	Short
20	Ka	Pullup	44	+ 0V	(short)
21	Ka'	Pulldown	45	+ 8V	"
22	Kb	Pullup	46	- 25V	"
23	Kb'	Pulldown	47	+ 25V	(short)
24					

Key = 6-12

910 3G
 920 3G
 Control Panel Wired

910 4G
 Parallel output
 920 4G

Pin	Logic	Conn Circuit	Pin	Logic	Conn Circuit
1	(P1)	100K	25	(C5)	100K
2	(P2)	"	26	(C6)	"
3	(P3)	"	27	(C7)	"
4	(P4)	"	28	(C8)	"
5	(P5)	"	29	(C9)	"
6	(P6)	"	30	(C10)	"
7	(P7)	"	31	(C11)	"
8	(P8)	"	32	(C12)	"
9	(P9)	"	33	(C13)	"
10	(P10)	"	34	(C14)	"
11	(P11)	"	35	(C15)	"
12	(P12)	"	36	(C16)	"
13	(P13)	"	37	(C17)	"
14	(P14)	100K	38	(C18)	"
15	Filament #1	Short	39	(C19)	"
16	Filament #2	Short	40	(C20)	"
17	Filament #1	"	41	(C21)	"
18	Filament #2	"	42	(C22)	"
19	+ 0v	Short	43	(C23)	100K
20	(Co)	100K	44	+ 0V	(short)
21	(C1)	"	45	+ 8V	"
22	(C2)	"	46	- 25V	"
23	(C3)	"	47	+ 25V	(short)
24	(C4)	100K			

Pin	Logic	Conn Circuit	Pin	Logic	Conn Circuit
1	Pot 1	(bead)	25	(C5)	(bead)
2	Pot 2	"	26	(C6)	"
3	Ioc	"	27	(C7)	"
4	Buc	"	28	(C8)	"
5	Sys	(bead)	29	(C9)	"
6	Eom		30	(C10)	"
7	Q1		31	(C11)	"
8	Q2		32	(C12)	"
9			33	(C13)	"
10			34	(C14)	"
11			35	(C15)	"
12			36	(C16)	"
13			37	(C17)	"
14	\overline{Sio}	(Bead)	38	(C18)	"
15	\overline{Ssc}	"	39	(C19)	"
16	\overline{Rf}	"	40	(C20)	"
17	\overline{St}		41	(C21)	"
18	$\overline{CI7}$	(Bead)	42	(C22)	"
19		(bead)	43	(C23)	(bead)
20	(Co)	"	44	+ 0V	(short)
21	(C1)	"	45	+ 8V	"
22	(C2)	"	46	- 25V	"
23	(C3)	"	47	+ 25V	(short)
24	(C4)	(bead)			

KEY = 6-10

KEY = 6-20

910
Parallel Output
920

5G
5G

Pin	Logic	Conn Circuit	Pin	Logic	Conn Circuit
1	Pot 1	(bead)	25	(C5)	(bead)
2	Pot 2	"	26	(C6)	"
3	Ioc	"	27	(C7)	"
4	Buc	"	28	(C8)	"
5	Sys	(bead)	29	(C9)	"
6	Eom		30	(C10)	"
7	Q1		31	(C11)	"
8	Q2		32	(C12)	"
9			33	(C13)	"
10			34	(C14)	"
11			35	(C15)	"
12			36	(C16)	"
13			37	(C17)	"
14	\overline{Sio}	(short)	38	(C18)	"
15	\overline{Ssc}	"	39	(C19)	"
16	\overline{Rf}	"	40	(C20)	"
17	\overline{St}	(short)	41	(C21)	"
18	$\overline{C17}$		42	(C22)	"
19		(bead)	43	(C23)	(bead)
20	(Co)	"	44	+ 0V	(short)
21	(C1)	"	45	+ 8V	"
22	(C2)	"	46	-25V	"
23	(C3)	"	47	+25V	(short)
24	(C4)	(bead)			

KEY = 6-20

910
Interlace
920
6G
6G
Wired

Pin	Logic	Conn Circuit	Pin	Logic	Conn Circuit
1	Pot 1	(bead)	25	(C5)	(bead)
2	Pot 2	"	26	(C6)	"
3	Ioc	"	27	(C7)	"
4	Buc	"	28	(C8)	"
5	Sys	(bead)	29	(C9)	"
6	Eom	(short)	30	(C10)	"
7	Q1	"	31	(C11)	"
8	Q2	"	32	(C12)	"
9	W9	"	33	(C13)	"
10	Y9	(short)	34	(C14)	"
11			35	(C15)	"
12			36	(C16)	"
13			37	(C17)	"
14	\overline{Sio}	(short)	38	(C18)	"
15	\overline{Ssc}	"	39	(C19)	"
16	\overline{Rf}	8.2K pull up	40	(C20)	"
17	\overline{St}	(short)	41	(C21)	"
18	$\overline{C17}$	(short)	42	(C22)	"
19		(bead)	43	(C23)	(bead)
20	(Co)	"	44	+ 0V	(short)
21	(C1)	"	45	+ 8V	"
22	(C2)	"	46	-25V	"
23	(C3)	"	47	+25V	(short)
24	(C4)	(bead)			

KEY = 6-20

910 7G 8G 9G 10G
920 7G 8G 9G 10G

MAG
TAPE W BUFF

910
920
15 Kc Tape Control

11G
11G
1Z

Pin	Logic	Conn Circuit	Pin	Logic	Conn Circuit
1	$\overline{Zw1}$	Pull-up	25	(R1)	(bead)
2	$\overline{Zw2}$	"	26	(R2)	"
3	$\overline{Zw3}$	"	27	(R3)	"
4	$\overline{Zw4}$	"	28	(R4)	"
5	$\overline{Zw5}$	"	29	(R5)	"
6	$\overline{Zw6}$	"	30	(R6)	"
7	\overline{Zwp}	"	31	(Rp)	"
8	\overline{Ecw}	"	32	(C12)	"
9	\overline{Whs}	"	33	(C13)	"
10	\overline{Sio}	"	34	(C14)	"
11	Buc	Short	35	(C15)	"
12	\overline{Np}	Pull-up	36	(C16)	"
13	\overline{Wes}	Pull-up	37	$\overline{(C17)}$	"
14	(W0)	(bead)	38	(C18)	"
15	(W5)	"	39	(C19)	"
16	(W6)	"	40	(C20)	"
17	Q2	"	41	(C21)	"
18	Ioc	"	42	(C22)	"
19	(W9)	"	43	(C23)	(bead)
20	(W10)	"	44	+0V	(short)
21	(W11)	"	45	+8V	"
22	(W12)	"	46	-25V	"
23	(W13)	"	47	+25V	(short)
24	(W14)	(bead)			

Pin	Logic	Conn Circuit	Pin	Logic	Conn Circuit
1	$\overline{Zw1}$		25	(R1)	
2	$\overline{Zw2}$		26	(R2)	
3	$\overline{Zw3}$		27	(R3)	
4	$\overline{Zw4}$		28	(R4)	
5	$\overline{Zw5}$		29	(R5)	
6	$\overline{Zw6}$		30	(R6)	
7	\overline{Zwp}		31	(Rp)	
8	\overline{Ecw}		32	(C12)	
9	\overline{Whs}		33	(C13)	
10	\overline{Sio}		34	(C14)	
11	Buc		35	(C15)	
12	\overline{Mtg}		36	(C16)	
13	\overline{Wes}		37	$\overline{(C17)}$	
14	(W0)		38	(C18)	
15	(W5)		39	(C19)	
16	(W6)		40	(C20)	
17	Q2		41	(C21)	} TAPE UNIT BEING ADDRESSED
18	Ioc		42	(C22)	
19	(W9)		43	(C23)	
20	(W10)		44	+0V	
21	(W11)		45	+8V	
22	(W12)		46	-25V	
23	(W13)		47	+25V	
24	(W14)				

Key = 6-26

On all 4 Connectors

Key = 6-28

Pin	Logic	Conn Circuit	Pin	Logic	Conn Circuit
1	Pin	(bead)	25	$\overline{Cd5}$	(3.9K pullup)
2			26	$\overline{Cd6}$	"
3	\overline{Sio}	(bead)	27	$\overline{Cd7}$	"
4			28	$\overline{Cd8}$	"
5			29	$\overline{Cd9}$	"
6			30	$\overline{Cd10}$	"
7			31	$\overline{Cd11}$	"
8	Rti	(bead)	32	$\overline{Cd12}$	"
9			33	$\overline{Cd13}$	"
10			34	$\overline{Cd14}$	"
11			35	$\overline{Cd15}$	"
12			36	$\overline{Cd16}$	"
13			37	$\overline{Cd17}$	"
14			38	$\overline{Cd18}$	"
15			39	$\overline{Cd19}$	"
16	\overline{Rf}	3.9K pullup	40	$\overline{Cd20}$	"
17		"	41	$\overline{Cd21}$	"
18		"	42	$\overline{Cd22}$	"
19		"	43	$\overline{Cd23}$	(3.9K pullup)
20	\overline{Cdo}	(3.9K pullup)	44	+ 0	(short)
21	$\overline{Cd1}$		45	+ 8	"
22	$\overline{Cd2}$		46	-25	"
23	$\overline{Cd3}$		47	+25	(short)
24	$\overline{Cd4}$	(3.9K pullup)			

Key = 6-16

Pin	Logic	Conn Circuit	Pin	Logic	Conn Circuit
1	11	Short	25	H	Short
2	12	"	26	\overline{Ir}	Diode
3	13	"	27	\overline{Sio}	Short
4	14	"	28	\overline{Ssc}	
5		"	29	$\overline{N9}$	short
6		"	30	$\overline{N10}$	"
7		"	31	$\overline{N11}$	"
8		"	32	$\overline{N12}$	"
9		"	33	$\overline{N13}$	"
10		"	34	$\overline{N14}$	short
11		"	35	$(\overline{Ip1} \overline{Ip2} \overline{Ip3} \overline{Ip4})$	bead
12		"	36	$(\overline{Is1} \overline{Is2} \overline{Is3} \overline{Is4})$	"
13		"	37	(T22-T17)	"
14		"	38	Ib	"
15	$\overline{N5}$	"	39	$(\overline{Int} \overline{F1} (T22 - T17))$	bead
16	$\overline{N6}$	"	40	I1w	short
17	$\overline{N7}$	"	41	I2w	"
18	$\overline{N8}$	"	42	I1y	"
19		"	43	I2y	"
20		"	44	+ 0	short
21		"	45	+ 8	
22		"	46	-25	
23	\overline{Sf}	"	47	+25	
24	\overline{Ij}	Short			

Key = 6-14

Pin	Logic	Conn Circuit	Pin	Logic	Conn Circuit
1	Pa1	180Ω	25		
2	Pa2	"	26		
3	Pa3	"	27		
4	Pa4	"	28		
5	Pa5	"	29		
6	Pa6	"	30		
7	Pa7	"	31		
8	Pa8	"	32		
9	Pap	180Ω	33		
10	Par	short	34		
11			35		
12			36	Reader relay common	short
13			37	Rd drive	"
14			38	Rb1 Brake	"
15			39	Rb2 Brake	"
16			40	\overline{Kif} feed	"
17			41	Lamp	"
18			42	+ 18V	"
19			43	+ 50V	"
20			44	+ 0V	"
21			45	+ 8V	"
22			46	- 25V	2.2K
23			47	+ 25V	Short
24					

Pin	Logic	Conn Circuit	Pin	Logic	Conn Circuit
1	Iof	short	25		
2	Ion	"	26		
3	Me	Pull down	27		
4	Memory disable	short	28		
5	St Jumper	"	29		
6	St	"	30		
7			31		
8			32		
9			33		
10			34		
11			35		
12			36		
13			37		
14			38		
15			39		
16			40		
17			41		
18			42		
19			43		
20			44	Gnd	short
21			45	+ 8v	"
22			46	- 25v	"
23			47	+ 25v	"
24					

910 25G
 920 25G
 Interlace Wired

CONNECTOR 28N
 PRIORITY INTERRUPT

Pin	Logic	Conn Circuit	Pin	Logic	Conn Circuit
1	\overline{Tsm}	(bead)	25		
2	Wp	"	26		
3	\overline{Wp}	"	27		
4	Wh	"	28		
5	Yh	(bead)	29	Iwf	(short)
6	Iw	(short)	30	Iw10	"
7	$\overline{Iw} \overline{Ew}$	"	31	Iw11	"
8	Iy	"	32	Iw12	"
9	$\overline{Iy} \overline{Ey}$	"	33	Iw13	"
10	Iy10	(short)	34	Iw14	"
11	Iy11	"	35	Iw15	"
12	Iy12	"	36	Iw16	"
13	Iy13	"	37	Iw17	"
14	Iy14	"	38	Iw18	"
15	Iy15	"	39	Iw19	"
16	Iy16	"	40	Iw20	"
17	Iy17	"	41	Iw21	"
18	Iy18	"	42	Iw22	"
19	Iy19	"	43	Iw23	"
20	Iy20	"	44	+ 0V	"
21	Iy21	"	45	+ 8V	"
22	Iy22	"	46	- 25V	"
23	Iy23	"	47	+ 25V	(short)
24	Iyf	(short)			

Key = 6-18

Pin	Logic	Conn Circuit	Pin	Logic	Conn Circuit
1			25		
2			26	\overline{Ir}	Short
3			27		
4			28		
5			29	$\overline{N9}$	Short
6			30	$\overline{N10}$	"
7			31	$\overline{N11}$	"
8			32	$\overline{N12}$	"
9			33	$\overline{N13}$	"
10			34	$\overline{N14}$	"
11			35	$\pi \overline{Ip36}$	"
12			36	$\pi \overline{Is36}$	"
13			37	(T22-T17)*	"
14			38	Ib*	"
15	$\overline{N5}$	Short	39	(Int F1 T22-T17)*	Short
16	$\overline{N6}$	"	40	+ 0	Short
17	$\overline{N7}$	"	41	+ 8	"
18	$\overline{N8}$	"	42	-25	"
19			43	+25	"
20			44		
21			45		
22			46		
23	\overline{Sf}	Short	47		
24	\overline{Ix}	"			

Key = 6-14

OA or OOA	LOGIC	OA or OOA	LOGIC
1	M1	26	Memory Disable
2	M2	27	Me
3	M3	28	$\overline{W9}$
4	M4	29	$\overline{Y9}$
5	M5	30	($\overline{O2} \overline{O3} \phi_o \overline{Ia}$)
6	M6	31	S1
7	M7	32	S2
8	M8	33	S3
9	M9	34	S4
10	M10	35	S5
11	M11	36	S6
12	M12	37	S7
13	M13	38	S8
14	M14	39	S9
15	M15	40	S10
16	M16	41	S11
17	M17	42	S12
18	M18	43	S13
19	M19	44	S14
20	M20	45	Ts
21	M21	46	$\overline{T_s}$
22	M22	47	Wp
23	M23	48	\overline{Wp}
24	M24	49	Tsm
25	MO	50	\overline{Tsm}
		51	T24

OB or OOB	LOGIC	OB or OOB	LOGIC
1	C1	26	Mc
2	C2	27	Tsm \overline{Wp}
3	C3	28	Tsm Wp
4	C4	29	Q1
5	C5	30	St
6	C6	31	Q2
7	C7	32	Mg
8	C8	33	$\overline{Q3}$
9	C9	34	Q4
10	C10	35	Q5
11	C11	36	$\overline{Q5}$
12	C12	37	Tp
13	C13	38	O5
14	C14	39	Po
15	C15	40	ϕ_4
16	C16	41	(F1 + $\overline{F3}$ + Ts)
17	C17	42	(T5 - To)
18	C18	43	F3 ^o
19	C19	44	$\overline{O6}^o$
20	C20	45	$\overline{Q4}^o$
21	C21	46	Margin Cur. Reg.
22	C22	47	Margin Voltage Reg.
23	C23	48	
24	C24	49	
25	CO	50	Clock
		51	Clock

TYPEWRITER B (BCD) Connector 44T

Typewriter

PRIORITY INTERRUPT

26N

Pin	Logic	Conn Pin	Pin	Logic	Conn Circuit
1	Ts1 (2.7k Pulldown)	x	25		
2	Ts2 (Pulldown)	v	26		
3	Ts4 (Pulldown)	w	27		
4	Ts8 (Pulldown)	u	28		
5	Tsa (Pulldown)	t	29	Tlt short	J
6	Tsb (Pulldown)	r	30		
7	Tsc (Pulldown)	s	31	Td1 short	H
8	Tc (1.8k Pulldown)	Z	32	Td2 short	E
9	Tc	b	33	Td4 short	F
10	Ec (2.7k Pulldown)	d	34	Td10 short	D
11			35	Td20 short	C
12	+ 8 short	Y	36	Td40 short	A
13			37	Tdp short	B
14			38	Tdsp short	M
15			39	Tdbs short	N
16			40	Tdcr short	P
17			41	Tduc short	S
18			42	Tdtb short	L
19			43		
20	+ 50 v short	K	44	+ 0 v	
21	+ 50 short	J	45	+ 8 v short	X
22			46	-25v short	
23			47	+25v	
24					

Pin	Logic	Conn Circuit	Pin	Logic	Conn Circuit
1	I1		25	I25	
2	I2		26	I26	
3	I3		27	I27	
4	I4		28	I28	
5	I5		29	I29	
6	I6		30	I30	
7	I7		31	I31	
8	I8		32	I32	
9	I9		33	I33	
10	I10		34	I34	
11	I11		35	I35	
12	I12		36	I36	
13	I13		37	H	
14	I14		38		
15	I15		39		
16	I16		40	I1w	
17	I17		41	I2w	
18	I18		42	I1y	
19	I19		43	I2y	
20	I20		44	0 v	
21	I21		45	+ 8 v	
22	I22		46	- 25 v	
23	I23		47	+ 25 v	
24	I24				

Pin	Logic	Conn Circuit	Pin	Logic	Conn Circuit
1	$\overline{Zy1}$	(short)	25	(R1y)	(bead)
2	$\overline{Zy2}$	"	26	(R2y)	"
3	$\overline{Zy3}$	"	27	(R3y)	"
4	$\overline{Zy4}$	"	28	(R4y)	"
5	$\overline{Zy5}$	"	29	(R5y)	"
6	$\overline{Zy6}$	"	30	(R6y)	"
7	\overline{Zyp}	"	31	(Rpy)	"
8	\overline{Ecy}	"	32	(C12)	"
9	\overline{Yhs}	"	33	(C13)	"
10	\overline{Sio}	"	34	(C14)	"
11	Buc	"	35	(C15)	"
12	\overline{Mtg}	(Short)	36	(C16)	"
13	\overline{Yes}	"	37	(C17)	"
14	(Yo)	(bead)	38	(C18)	"
15	(Y5)	"	39	(C19)	"
16	(Y6)	"	40	(C20)	"
17	Q2	"	41	(C21)	"
18	Ioc	"	42	(C22)	"
19	(Y9)	"	43	(C23)	(bead)
20	(Y10)	"	44	+ 0 V	(short)
21	(Y11)	"	45	+ 8 V	"
22	(Y12)	"	46	- 25 V	"
23	(Y13)	"	47	+ 25 V	(short)
24	(Y14)	(bead)			

Pin	Logic	Typewriter Plug	Conn Circuit	Pin	Logic	Typewriter Plug	Conn Circuit
1	Ts1	B7	Diode	25			
2	Ts2	B6	Diode	26			
3	Ts4	B5	Diode	27			
4	Ts10	B4	Diode	28			
5	Ts20	B9	2K Pulldown	29			
6	Ts40	B3	Diode	30			
7	Tc	B13	1K Pulldown	31	Td1	A6	short
8	Tf	B24	2K Pulldown	32	Td2	A5	"
9				33	Td4	A1	"
10	Et	B22	2K Pulldown	34	Td10	A2	"
11	Tsp	B18	2K Pulldown	35	Td20	A4	"
12	Tbs	B17	2K Pulldown	36	Td40	A3	"
13	Ttb	B19	2K Pulldown	37	Tdp	A7	"
14	Tcr	B16	2K Pulldown	38	Tdsp	A8	"
15				39	Tdbs	A9	"
16	\overline{Lc}	B21	2K Pulldown	40	Tdcr	A10	"
17				41	Tduc	A14	"
18				42	Tdtb	A11	"
19				43	Tdlc	A13	"
20	+ 50	A16		44	+ 0v		"
21	+ 50	A16		45	+ 8v	B23	"
22				46	- 25v		"
23				47	+ 25v		"
24							

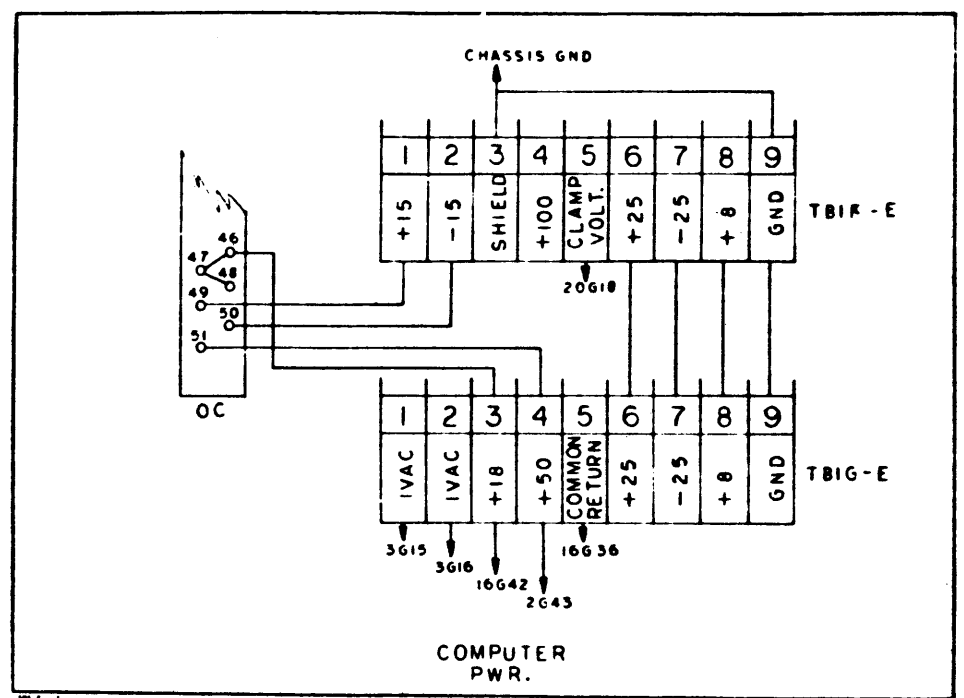
Pin	Logic	Conn Circuit	Pin	Logic	Punch Plug	Conn Circuit
1			25	+ 50	H	
2			26			
3			27	Kcp	C	Pulldown
4			28	Test	Y	
5			29	Pd	b	short
6			30	Ksp	N	Pullup
7			31	Pf	A	short
8			32	Pd8	B	"
9			33	Pd7	F	"
10			34	Pd6	L	"
11			35	Pd5	R	"
12			36	Pd4	V	"
13			37	Psp	E	"
14			38	Pd3	Z	"
15			39	Pd2	d	"
16			40	Pd1	i	"
17			41	Common 1		"
18			42	Common 2	D	"
19			43	Common 3		short
20			44	Gnd	K	"
21			45	+ 8		"
22			46	- 25		"
23			47	+ 25	a	"
24						

Pin	Logic	Conn Circuit	Pin	Logic	Conn Circuit
1	$\overline{Zy1}$	(short)	25	(R1y)	(bead)
2	$\overline{Zy2}$	"	26	(R2y)	"
3	$\overline{Zy3}$	"	27	(R3y)	"
4	$\overline{Zy4}$	"	28	(R4y)	"
5	$\overline{Zy5}$	"	29	(R5y)	"
6	$\overline{Zy6}$	"	30	(R6y)	"
7	\overline{Zyp}	"	31	(Rpy)	"
8	\overline{Ecy}	"	32	(C12)	"
9	\overline{Yhs}	"	33	(C13)	"
10	\overline{Sio}	"	34	(C14)	"
11	Buc	"	35	(C15)	"
12	Np	(short)	36	(C16)	"
13	\overline{Yes}		37	(C17)	"
14	(Yo)	(bead)	38	(C18)	"
15	(Y5)	"	39	(C19)	"
16	(Y6)	"	40	(C20)	"
17	Q2	"	41	(C21)	"
18	Ioc	"	42	(C22)	"
19	(Y9)	"	43	(C23)	(bead)
20	(Y10)	"	44	+ 0 V	(short)
21	(Y11)	"	45	+ 8 V	"
22	(Y12)	"	46	-25 V	"
23	(Y13)	"	47	+25 V	(short)
24	(Y14)	(bead)			

Pin	Logic	Conn Circuit	Pin	Logic	Conn Circuit
1	(R7y)		25	$\overline{Zy7}$	
2	(R8y)		26	$\overline{Zy8}$	
3	(R9y)		27	$\overline{Zy9}$	
4	(R10y)		28	$\overline{Zy10}$	
5	(R11y)		29	$\overline{Zy11}$	
6	(R12y)		30	$\overline{Zy12}$	
7	(R13y)		31	$\overline{Zy13}$	
8	(R14y)		32	$\overline{Zy14}$	
9	(R15y)		33	$\overline{Zy15}$	
10	(R16y)		34	$\overline{Zy16}$	
11	(R17y)		35	$\overline{Zy17}$	
12	(R18y)		36	$\overline{Zy18}$	
13	(R19y)		37	$\overline{Zy19}$	
14	(R20y)		38	$\overline{Zy20}$	
15	(R21y)		39	$\overline{Zy21}$	
16	(R22y)		40	$\overline{Zy22}$	
17	(R23y)		41	$\overline{Zy23}$	
18	(R24y)		42	$\overline{Zy24}$	
19	\overline{Rpe}		43		
20			44	+ 0v	
21			45	+ 8v	
22			46	- 25v	
23			47	+ 25v	
24					

Pin	Logic	Conn Circuit	Pin	Logic	Conn Circuit
1	(R7y)		25	$\overline{Zy7}$	
2	(R8y)		26	$\overline{Zy8}$	
3	(R9y)		27	$\overline{Zy9}$	
4	(R10y)		28	$\overline{Zy10}$	
5	(R11y)		29	$\overline{Zy11}$	
6	(R12y)		30	$\overline{Zy12}$	
7	(R13y)		31	$\overline{Zy13}$	
8	(R14y)		32	$\overline{Zy14}$	
9	(R15y)		33	$\overline{Zy15}$	
10	(R16y)		34	$\overline{Zy16}$	
11	(R17y)		35	$\overline{Zy17}$	
12	(R18y)		36	$\overline{Zy18}$	
13	(R19y)		37	$\overline{Zy19}$	
14	(R20y)		38	$\overline{Zy20}$	
15	(R21y)		39	$\overline{Zy21}$	
16	(R22y)		40	$\overline{Zy22}$	
17	(R23y)		41	$\overline{Zy23}$	
18	(R24y)		42	$\overline{Zy24}$	
19	\overline{Rpe}		43		
20			44	+ 0v	
21			45	+ 8v	
22			46	-25v	
23			47	+25v	
24					

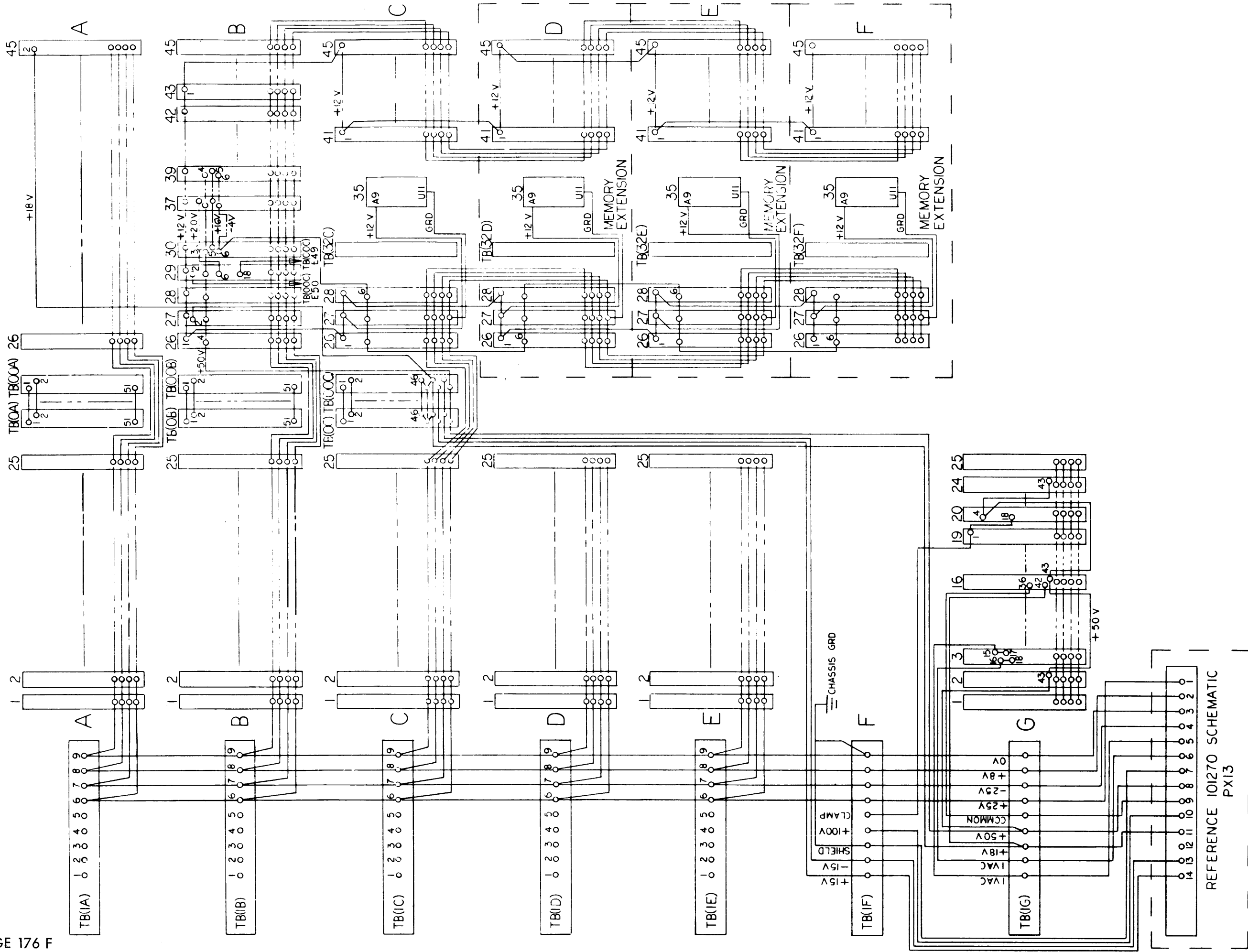
REVISIONS				01701	1E
REV	DESCRIPTION	CHK	DATE	APPROVED	
E	SEE REV. E.O.				



920
PAGE 175
E

NO. REQ.	DRAWING NO.	DESCRIPTION	REFERENCE DESIGNATION	ITEM NO.
MATERIAL LIST				
NOTES UNLESS SPECIFIED		DRAWN	SDS SCIENTIFIC DATA SYSTEMS 1242 FIFTEENTH STREET SANTA MONICA CALIFORNIA	
1. TOLERANCES XX ± 0.00 ANGULAR XXX ± 0.10 ± 15°		CHECK	TITLE	
2. BREAK ALL SHARP EDGES D10 APPROX		APPR	DIAGRAM, LOGIC COMPUTER	
3. HATCH SURFACES			MODEL NO. 920	
4. ALL DIM IN INCHES			NEXT ASSY.	
			SCALE DO NOT SCALE DRAWING SHEET	

101701 1E 1



REFERENCE IO1270 SCHEMATIC
PX13

REVISIONS				101701	F
REV	DESCRIPTION	CHK	DATE	APPROVED	
F	SEE REV. E.D.				

MODULE LIST

ITEM	DESCRIPTION	MODEL	QTY
1	CLOCK GENERATOR # 1	CK 53	1
2	CLOCK GENERATOR # 2	CK 54	1
3	SHIFT REGISTER	DK 51	8
4	REPEATER FLIP FLOP	FK 51	23
5	DUAL FLIP FLOP	FK 52	52
6	DIODE GATE # 1	GK 51	48
7	DIODE GATE # 2	GK 52	8
8	DISCRIMINATOR	HK 51	2
9	Z" DRIVER	HK 52	3
10	GATED LOGIC AMPLIFIER	IK 54	1
11	SELECTOR CONTROL	HK 55	2
12	SENSE AMPLIFIER	HK 59	5
13	INVERTER AMPLIFIER	IK 51	17
14	AND/GATE INVERTER	IK 53	1
15	ADDRESS DECODER	QK 52	4
16	"XY" SELECTOR	QK 53	4
17	RELAY DRIVER	RK 51	1
18	VOLTAGE REGULATOR	SK 53	1
19	PRIORITY INTERRUPT	SK 55	1
20	REGULATOR & CLAMP	SK 56	1
21	VOLTAGE REGULATOR	SK 57	1
22	CURRENT REGULATOR	SK 58	1
23	TERMINATION (13G)	ZK 52	1
24	ADDER MODULE	IK 52	8
25	CORE MEMORY ASSY	9102 ACRB 9104 ACRB	1

REPLACEMENT PARTS LIST FOR (D) MEMORY EXT. (TYP FOR E & F)

ITEM	DESCRIPTION	DESIGNATION	QTY	SUPPLIER CODE (SEE INDEX)
1	CONNECTOR, SOLDER TAIL 47 CONTACT # 7008-47	J(26D) THRU J(26D) J(41D) THRU J(45D)	8	B2
2	CONNECTOR, 140 PIN MALE #MH8018-140-G	J(35D)	1	B2

REPLACEMENT PARTS LIST

ITEM	DESCRIPTION	DESIGNATION	QTY	SUPPLIER CODE (SEE INDEX)
1	CONNECTOR, SOLDER TAIL 47 CONTACT # 7008-47	J(1A) THRU J(45A) J(1B) J(45B) J(1C) J(45C) J(1D) J(45D) J(1E) J(45E) J(1F) THRU J(25F) J(1G) THRU J(25G)	223	B2
2	CONNECTOR, 140 PIN MALE #MH8018-140-G	J(35C)	1	B2

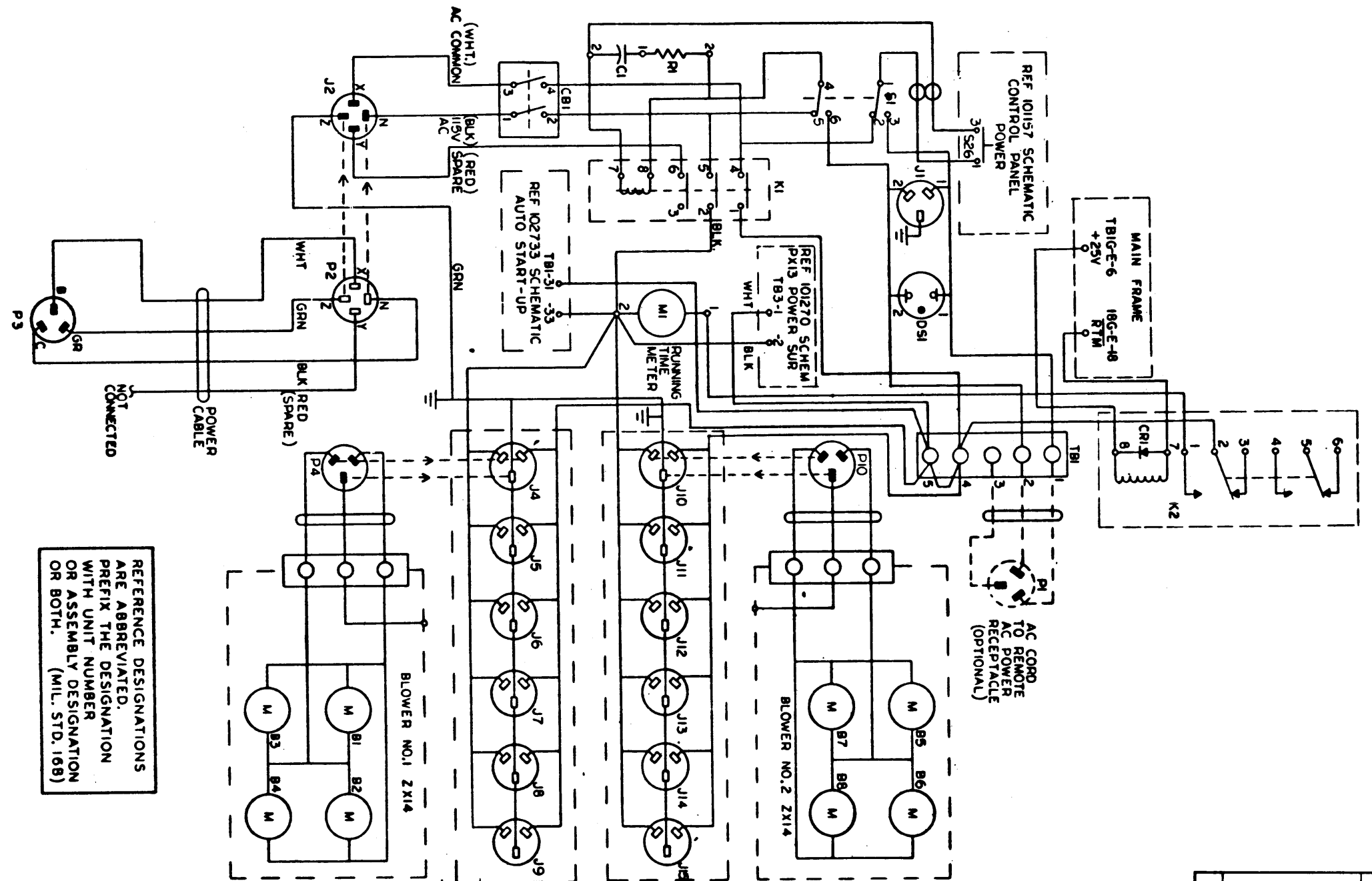
MODULE LIST FOR (D) MEMORY EXT. (TYP FOR E & F)

ITEM	DESCRIPTION	MODEL	QTY
1	Z" DRIVER	HK 52	3
2	SENSE AMPLIFIER	HK 59	5
3	CORE MEMORY ASSY	9102 ACRB 9104 ACRB	1

920
PAGE 177
F

NO. REQ.	DRAWING NO.	DESCRIPTION	REFERENCE DESIGNATION	ITEM NO.
MATERIAL LIST				
NOTES UNLESS SPECIFIED		DRAWN J. IRELAND 5-18-63	SDS SCIENTIFIC DATA SYSTEMS 1542 FIFTEENTH STREET SANTA MONICA CALIFORNIA	
1 TOLERANCES R: .008 ANGULAR R: .010 2:12	CHECK [Signature]	DATE 7/2/63	TITLE DIAGRAM, LOGIC COMPUTER	
2 BREAK ALL SHARP EDGES 3 HATCH SURFACES 4 ALL DIM IN INCHES	APPR [Signature]	DATE 6/2/63		
MODEL NO. 920	SIZE D	DWG NO. 101701	F	
NEXT ASST	SCALE	DO NOT SCALE DRAWING SHEET		

REVISIONS				102675	D
REV	DESCRIPTION	CHK	DATE	APPROVED	
B	SEE REV. E.O.		10/20/63		
C	SEE REV. E.O.		10/16/63		
D	SEE REV. E.O.		10/16/63		



REFERENCE DESIGNATIONS ARE ABBREVIATED. PREFIX THE DESIGNATION WITH UNIT NUMBER OR ASSEMBLY DESIGNATION OR BOTH. (MIL. STD. 168)


NO	DRAWING NO.	DESCRIPTION	REFERENCE DESIGNATION	ITEM NO.
NOTES UNLESS SPECIFIED				
1	TOLERANCES	UNLESS SPECIFIED		
2	ALL DIMENSIONS	ANGULAR		
3	BREAK ALL SHARP EDGES	0.015"		
4	WASH SURFACES	✓		
5	ALL DIM IN INCHES			
MODEL NO. 9112, 9113, 9212 NEXT ASSEMBLY 102246, 102286, 101087		MATERIAL LIST DRAWN: J. J. [Signature] 10/23 CHECK: [Signature] 10/23 APPR: [Signature] 10/23 TITLE: SCHEMATIC, POWER DISTRIBUTION DES: D DWG NO: 102675 SHEET 1 OF 2		

102675 | D |

REVISIONS			
REV	DESCRIPTION	CHK	DATE
	SEE SHT 1		

REPLACEMENT PARTS LIST

ITEM	DESCRIPTION	DESIGNATION	QTY	SUPPLIER CODE (SEE INDEX)
1	CORD, A.C. #16/3 SPT-3 CORD WITH #PA-3 PLUG	P1	1 (OR NONE)	101
2	CONNECTOR, 5 WIRE FEMALE #3523	P2	1	102
3	CONNECTOR, 3 WIRE MALE #3331	P3	1	102
4	CORD, A.C. #16/3 SPT-3 CORD WITH #PA-3 PLUG	P4 (PI0)	1 (OR 2)	101
5	RECEPTACLE, 3 WIRE FEMALE #5256	J1	1	102
6	CONNECTOR, 5 WIRE MALE #3524	J2	1	102
7	WIREMOLD, A.C. #G-20GB306	J4 THRU J9 (J10 THRU J15)	1 (OR 2)	103
8	LAMP, NEON #249-784H-1437	DS1	1	104
9	CONTACTOR, 30 AMP, 600 VAC #702 BAD 92 SERIES K	K1	1	107
10	CIRCUIT BREAKER, DOUBLE POLE #2XAMI516-35-250 VAC 60 CYCLE CURVE 2	CBI	1	105
11	SWITCH, TOGGLE DPDT	S1	1	106
12	RESISTOR, W.W. 10Ω ± 5%	R1	1	99, 100
13	CAPACITOR, OIL .25μf ± 20%, 1000V	C1	1	80, 81
14	METER, TIME #50-236402AAAA1 120 V, 60 CYCLES	M1	1	108
15	RELAY DPDT, DOSX-7T BO-6A/115VAC	K2	1	78 79
16	DIODE, IN3189	CRI	1	2, 6, 30, 68

REV	DRAWING NO.	DESCRIPTION	REFERENCE DESIGNATION	ITEM NO.
MATERIAL LIST				
NOTES UNLESS SPECIFIED		DRAWN <i>With</i> <i>1/10</i>	 1545 FIFTEENTH STREET SANTA MONICA CALIFORNIA	
1 TOLERANCES UNLESS SPECIFIED		CHECK <i>J. Deane</i> <i>6/2/62</i>		
2 BREAK ALL SHARP CORNERS		APPR <i>J. Deane</i> <i>6/2/62</i>		
3 HATCH SHOWN			SCHEMATIC, POWER DISTRIBUTION	
4 ALL DIM. IN INCHES				
MODEL NO.	9112, 9113, 9212		SIZE D	DWG NO. 102675
NEXT ASSY				D
102246, 102266, 101067		SCALE	DO NOT SCALE DRAWING	SHEET 2 OF 2

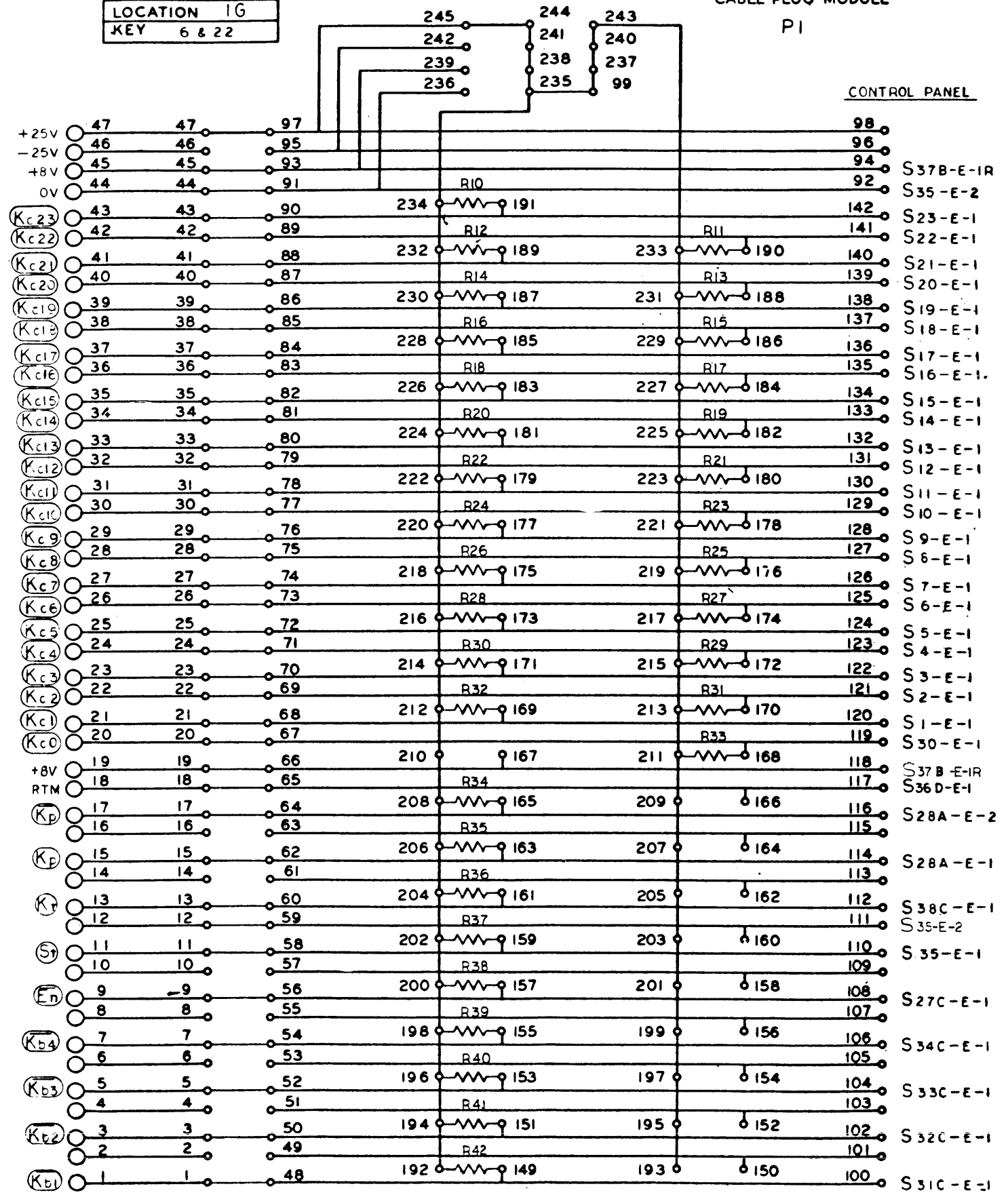
102675

REVISIONS			
REV	DESCRIPTION	CHK	DATE
D	SEE REV. E.O.		
E	SEE REV. E.O.		
F	SEE 28V E.O.		

LOCATION 1G
KEY 6 & 22

CABLE PLUG MODULE
PI

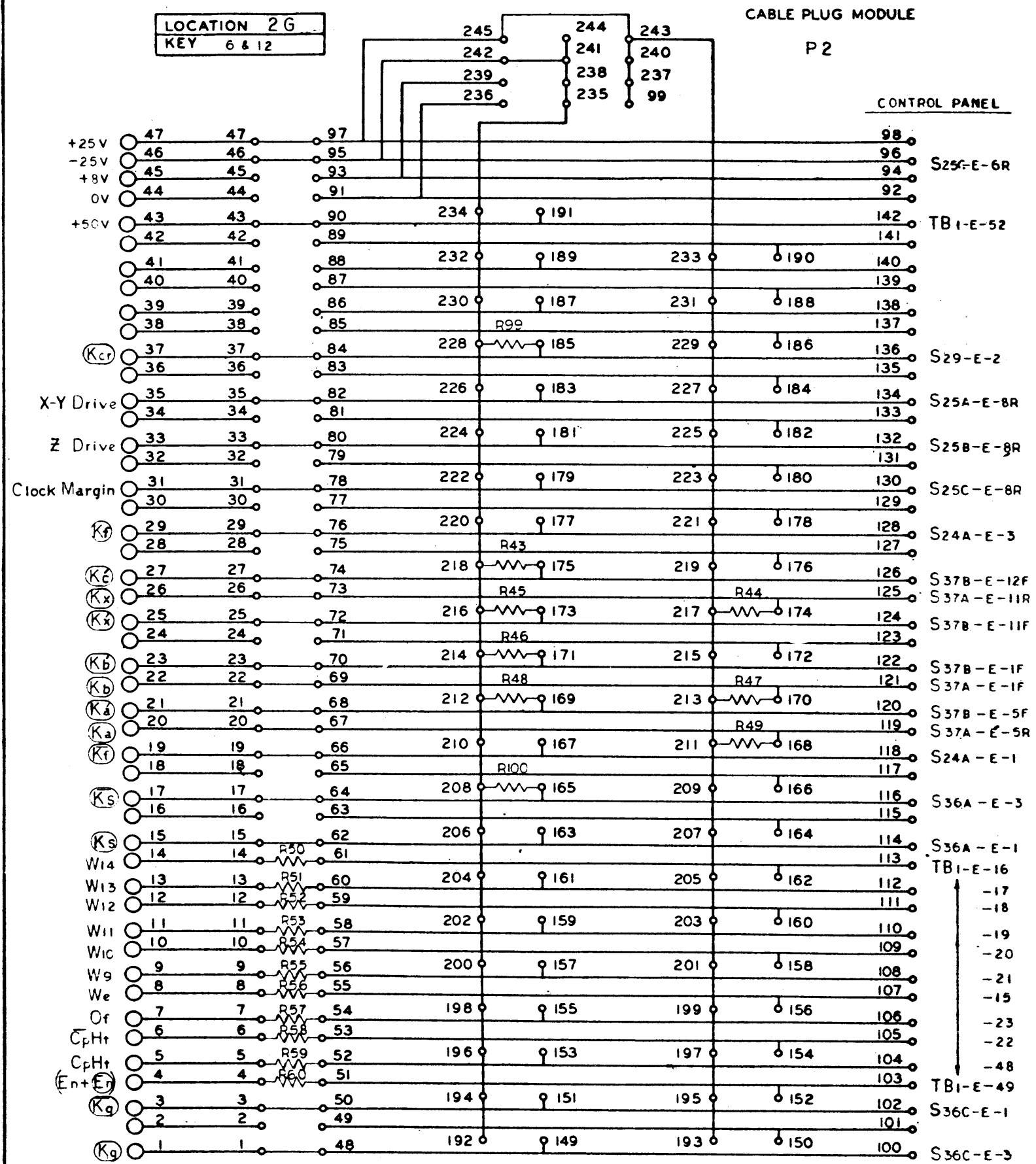
REFERENCE DESIGNATIONS
ARE ABBREVIATED.
PREFIX THE DESIGNATION
WITH UNIT NUMBER
OR ASSEMBLY DESIGNATION
OR BOTH. (MIL. STD. 168)



NO. REV.	DRAWING NO.	DESCRIPTION	REFERENCE DESIGNATION	ITEM NO.
MATERIAL LIST				
NOTES UNLESS SPECIFIED		DRAWN DWH 4-25-63	SDS SCIENTIFIC DATA SYSTEMS 1542 FIFTEENTH STREET, SANTA MONICA, CALIFORNIA	
1. TOLERANCES AS 2.000 ANGULAR AS 2.000 2.5°		CHECK	TITLE	
2. BREAK ALL SHARP EDGES 0.10 APPROX		APPV	SCHEMATIC, CONTROL PANEL	
3. BREAK SURFACES 4. ALL DIM. IN INCHES				
MODEL NO. 910, 920			SIZE D	DWG. NO. 101157
NEXT ASBY. 100946			SCALE	DO NOT SCALE DRAWING SHEET 1 OF 6

101157

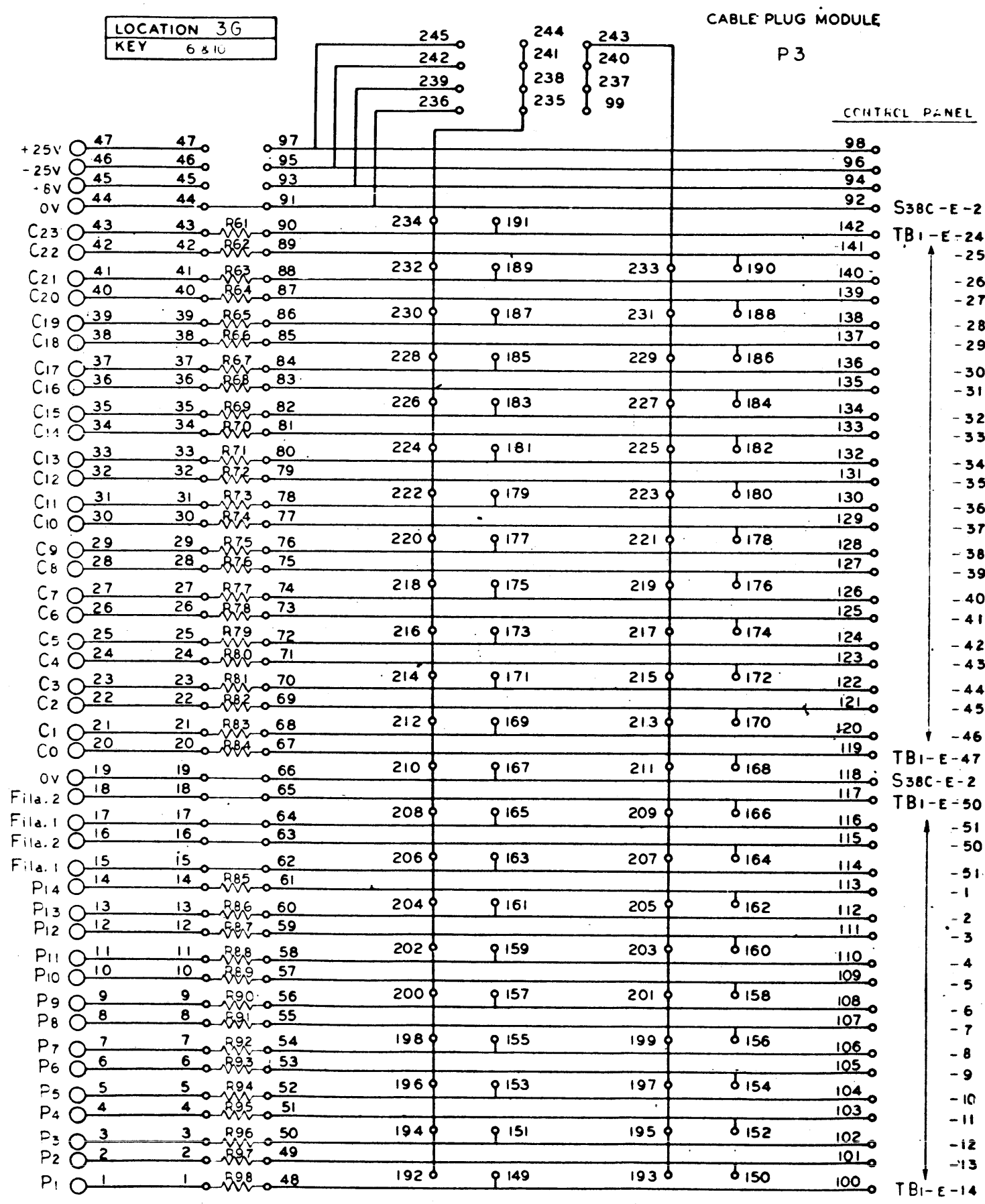
REVISIONS				101157	F
REV	DESCRIPTION	CHR	DATE	APPROVED	
	SEE 3-T. ONE				



NO. REV.	DRAWING NO.	DESCRIPTION	REFERENCE DESIGNATION	ITEM NO.
MATERIAL LIST				
NOTES UNLESS SPECIFIED				
1. TOLERANCES XX ± 0.00 ANGULAR SEE 3-T. ONE				
2. BREAK ALL SHARP EDGES 0.10 APPROX.				
3. HATCH SURFACES				
4. ALL DIM. IN INCHES				
DRAWN: <i>[Signature]</i>		SDS SCIENTIFIC DATA SYSTEMS 1242 FIFTEENTH STREET SANTA MONICA CALIFORNIA		
CHECK: <i>[Signature]</i>		TITLE SCHEMATIC, CONTROL PANEL		
APPR: <i>[Signature]</i>		MODEL NO. 910,920 NEXT ASSY. 100946		
SIZE D		DWS NO. 101157		F
SCALE		DO NOT SCALE DRAWING		SHEET 2 OF 6

101157 F

REVISIONS				101157	F
REV	DESCRIPTION	CHK	DATE	APPROVED	
	SEE SHT ONE				

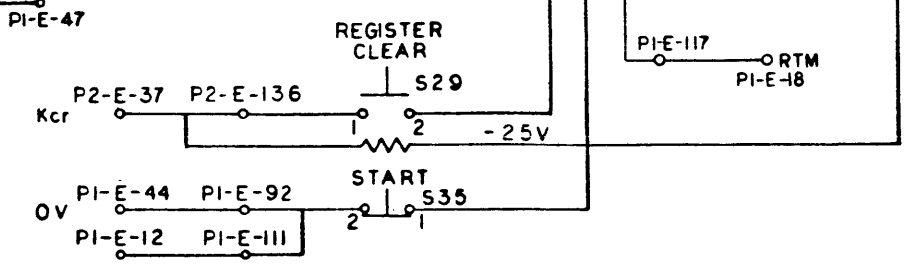
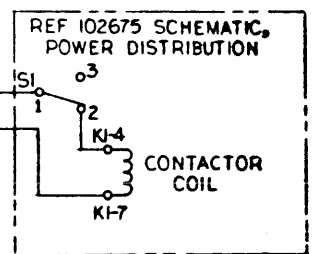
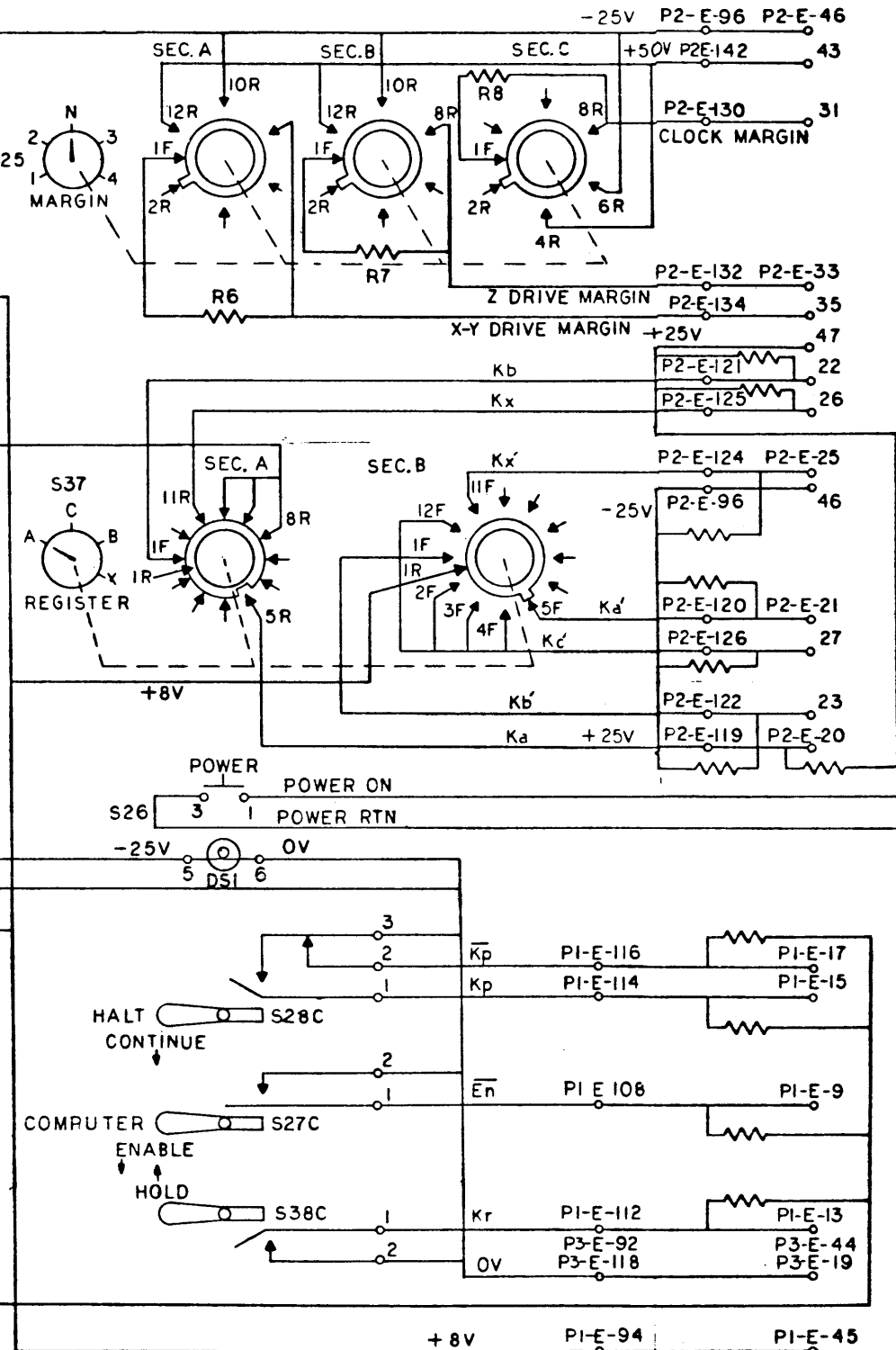
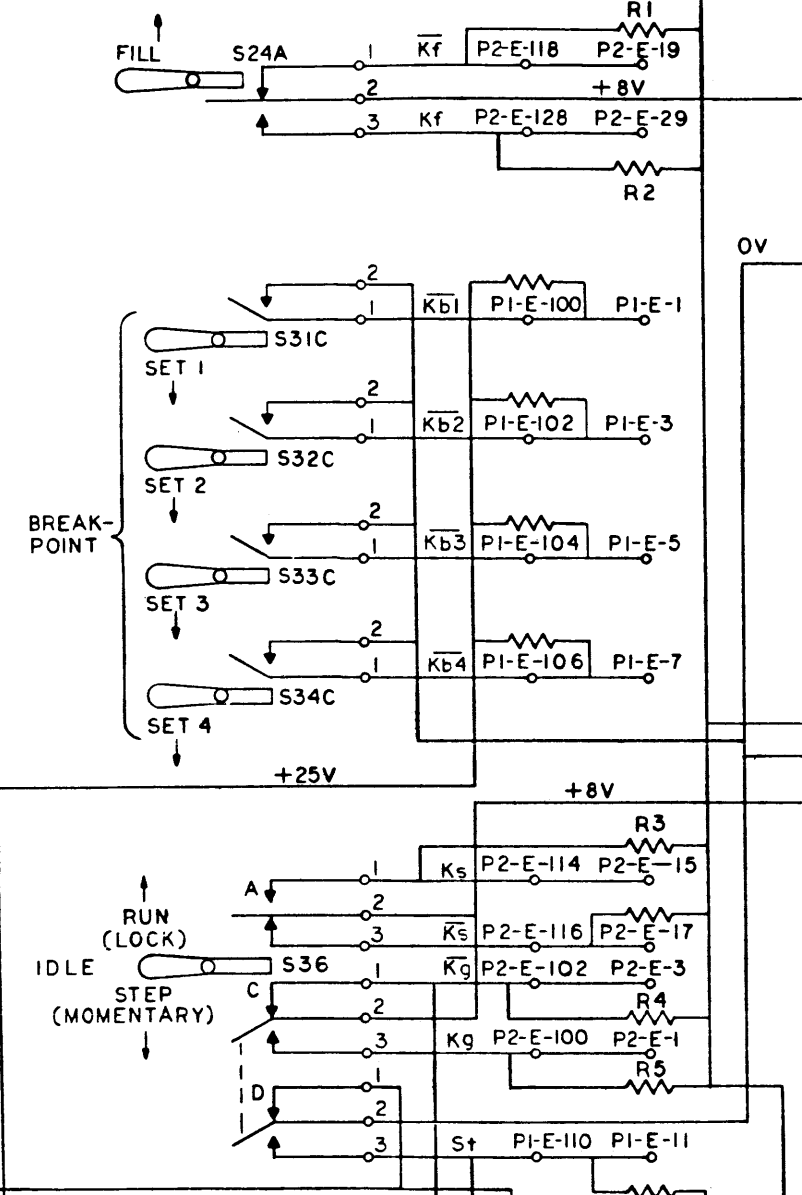
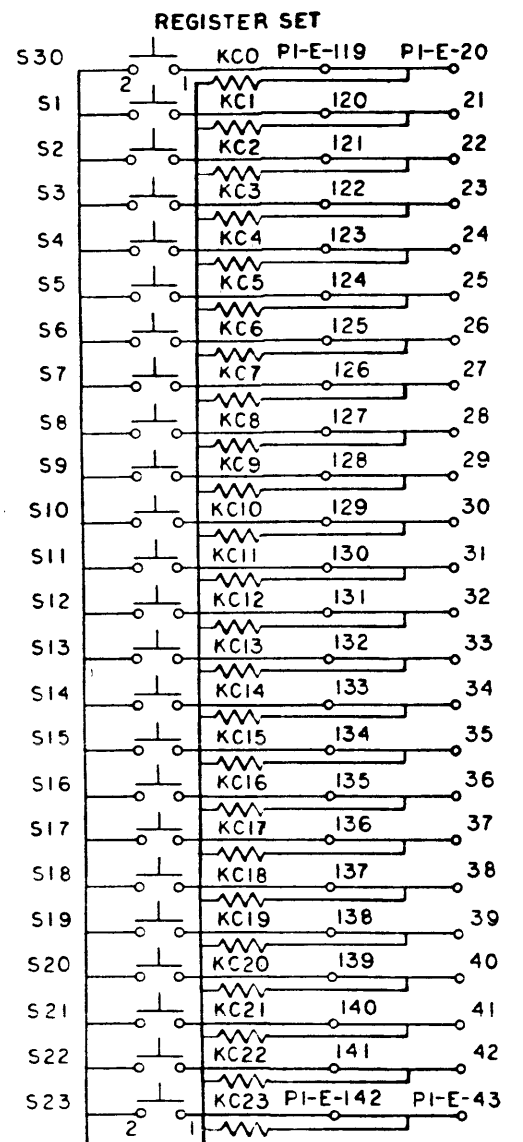


NO. REV.	DRAWING NO.	DESCRIPTION	REFERENCE DESIGNATION	ITEM NO.
MATERIAL LIST				
NOTES UNLESS SPECIFIED		DRAWN	DWA	A2545
1. TOLERANCES UNLESS SPECIFIED: ANGULAR 2 1/2°		CHECK	C. P. [Signature]	10/63
2. BREAK ALL SHARP EDGES 0.10 APPROX		APPR	[Signature]	
3. MATCH SURFACES		TITLE		
4. ALL DIM IN INCHES		SCHMATIC, CONTROL PANEL		
MODEL NO.	910,920	SIZE	DWG NO.	F
NEXT ASSY	100946	SCALE	101157	
				DO NOT SCALE DRAWING SHEET 3 OF 6

REVISIONS			
REV	DESCRIPTION	CHK	DATE
	SEE SHEET 1		

NOTES:

- | CABLE PLUG MODULE CONNECTIONS: | PI-E- | P2-E- | P3-E- |
|---------------------------------------|-------|-------|-------|
| TERMINATE AT COMPUTER CONN. LOCATION: | 1G | 2G | 3G |
| KEY | 6,22 | 6,12 | 6,16 |
- ALL RESISTORS ARE 1/2W ±2% EXCEPT R1 THRU R5 WHICH ARE 20W.

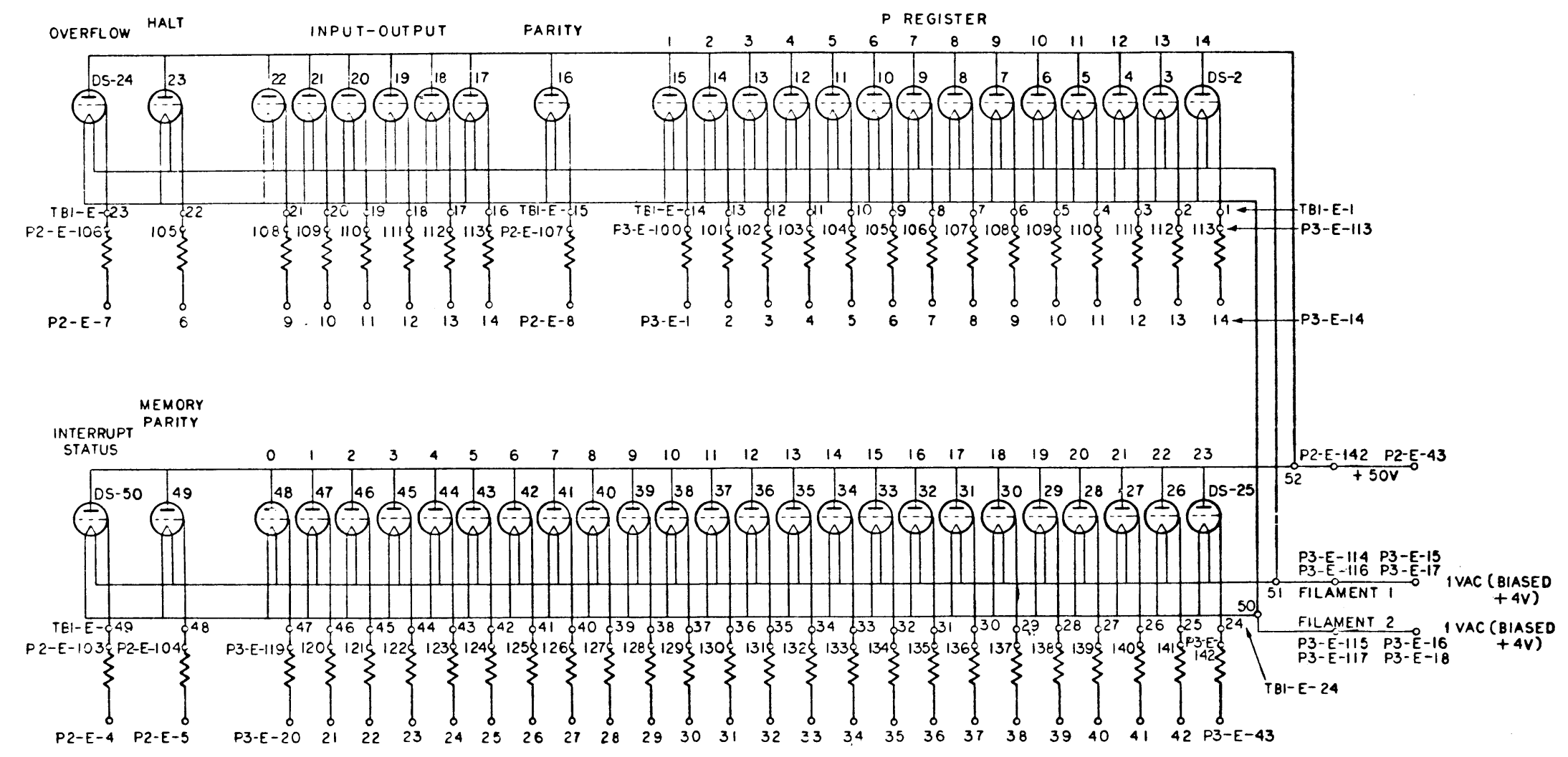


NO. REQ.	DRAWING NO.	DESCRIPTION	REFERENCE DESIGNATION	ITEM NO.
NOTES UNLESS SPECIFIED				
1. TOLERANCES UNLESS SPECIFIED				
2. BREAK ALL SHARP EDGES AND APPROX.				
3. HATCH SURFACES				
4. ALL DIM. IN INCHES				
DRAWN: KEITH 8-17-62		MATERIAL LIST		
CHECK:		SDS SCIENTIFIC DATA SYSTEMS		
APPR:		1045 FIFTEENTH STREET SANTA MONICA, CALIFORNIA		
		TITLE: SCHEMATIC CONTROL PANEL		
MODEL NO. 910,920		SIZE: D		DRWG. NO. 101157
NEXT ASSY. 100946		SCALE: DO NOT SCALE DRAWING		SHEET 4 OF 6

101157-1-F

REVISIONS			
REV	DESCRIPTION	CHK	DATE
	SEE SH1 ONE		

NOTES:
1. ALL RESISTORS 100K Ω 1/2 WATT \pm 2%.



NO. REQ.	DRAWING NO.	DESCRIPTION	REFERENCE DESIGNATION	ITEM NO.
MATERIAL LIST				
NOTES UNLESS SPECIFIED		DRAWN: <i>KENT</i> 7-9-62	SDS SCIENTIFIC DATA SYSTEMS 1542 FIFTEENTH STREET, SANTA MONICA, CALIFORNIA	
1 TOLERANCES XX - 0.00 ANGULAR XXX - 0.00 ± 1/2°		CHECK: <i>[Signature]</i>	TITLE	
2 BREAK ALL SHARP EDGES 310 APPROX.		APPR: <i>[Signature]</i>	SCHEMATIC CONTROL PANEL	
3 MACH SURFACES ✓				
4 ALL DIM IN INCHES				
MODEL NO.	910, 920	SIZE	DWG NO.	F
NEXT APPY	100946	SCALE	DO NOT SCALE DRAWING	SHEET 5 OF 6

REVISIONS			
REV	DESCRIPTION	CHK	DATE
	SEE SH. ONE		101157

REPLACEMENT PARTS LIST

ITEM	DESCRIPTION	DESIGNATION	QTY	SUPPLIER CODE (SEE INDEX)
1	RESISTOR, W.W. 500Ω ± 5%	R1, R3	2	99, 100
2	↑ W.W. 250Ω ↓	R2	1	↑
3	W.W. 1K ↓	R4	1	↓
4	W.W. 1.5K ± 5%	R5	1	99, 100
5	27K ± 2%	R6	1	16, 17
6	1K ↑	R7, R8	2	↑
7	56K ↓	(P1) R10 THRU R42 (P2) R44, R47, R49	36	↓
8	↓ 1.8K ↓	(P2) R43, R45, R46, R48	4	↓
9	RESISTOR, 100K ± 2%	(P2) R50 THRU R60 (P3) R61 THRU R98	49	16, 17
10	SWITCH, LEVER *101520	S24	1	SDS
11	↑ *101266 ↓	S27	1	↑
12	*100934 ↓	S28	1	↓
13	*101521 ↓	S36	1	↓
14	SWITCH, LEVER *100933	S31 THRU S34, S38	5	↓
15	SWITCHLIGHT, PB. *100051	S26	1	↓
16	SWITCH, ROTARY, 5 POS. *101038	S25	1	↓
17	↑ ROTARY, 4 POS. *101039 ↓	S37	1	SDS
18	↓ PUSH BUTTON N.C. *30-2NC ↓	S35	1	112
19	SWITCH, PUSH BUTTON N.O. *30-15	S1 THRU S23, S29, S30	25	↑
20	BUTTON, MOLDED *30B102 (RED)	S29, S35	2	↓
21	BUTTON, MOLDED *30B102 (BLUE)	S1 THRU S23, S30	24	112
22	INDICATOR, TRIODE *6977	DS2 THRU DS50	49	85, 96
23	RESISTOR, 3K ± 2%	(P2) R99, R100	2	16, 17

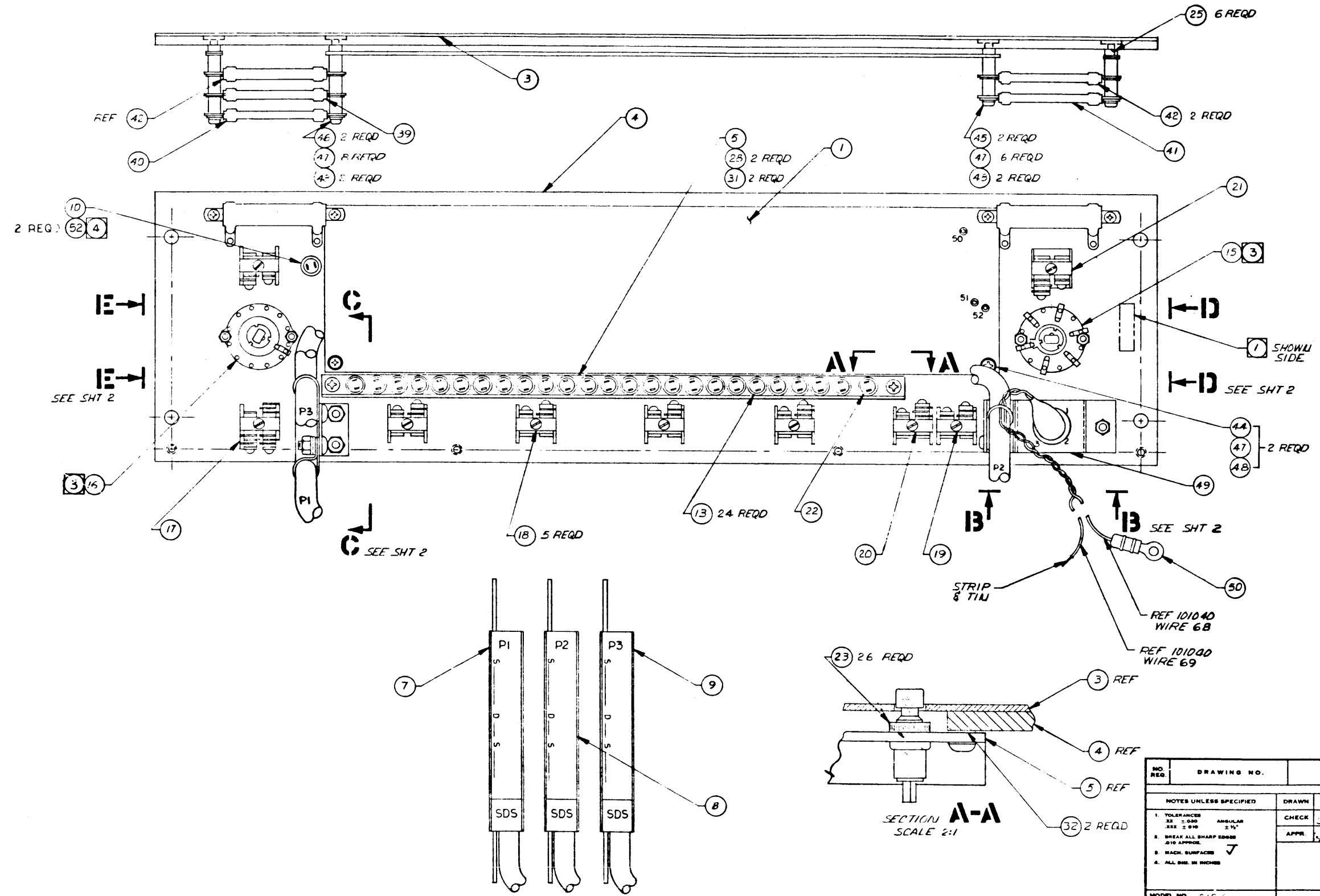
101157 | F |

NO. REQ.	DRAWING NO.	DESCRIPTION	REFERENCE DESIGNATION	ITEM NO.
MATERIAL LIST				
NOTES UNLESS SPECIFIED		DRAWN: <i>[Signature]</i>	SDS SCIENTIFIC DATA SYSTEMS 1842 FIFTEENTH STREET SANTA MONICA, CALIFORNIA	
1 TOLERANCES 20 ± 0.005 ANGULAR 200 ± 0.010 ± 1/16"		CHECK: <i>[Signature]</i>		
2 BREAK ALL SHARP EDGES 3 HATCH SURFACES ✓ 4 ALL DIM. IN INCHES		APPR: <i>[Signature]</i>	TITLE	
			SCHEMATIC, CONTROL PANEL	
MODEL NO.	910, 920	SIZE	DWG NO.	F
NEXT ASSY.	100946	SCALE	DO NOT SCALE DRAWING	SHEET 6 OF 6

REVISIONS				
REV	DESCRIPTION	CHK	DATE	APPROVED
G	SEE REV. E.O.			
H	SEE REV. E.O.			
J	SEE REVISION E.O.			
K	SEE REVISION E.O.			
L	SEE REVISION E.O.			

NOTES: UNLESS OTHERWISE SPECIFIED

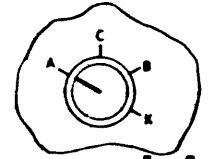
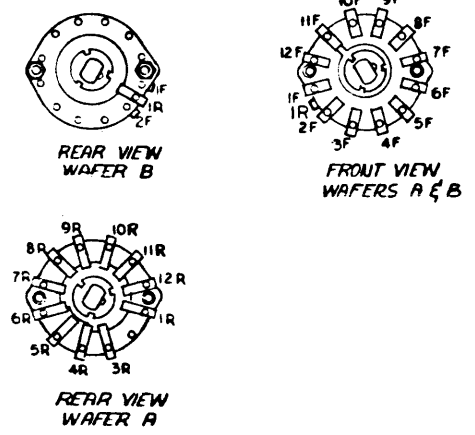
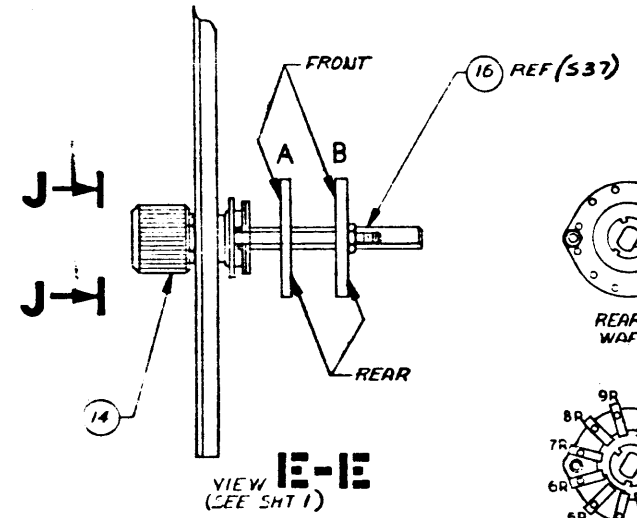
- 1 IDENTIFY PART PER SDS 10019B.
- 2. REF WIRE LISTS: 101040, 101041, 101042, 101043.
- 3 LOCK WASHERS FURNISHED WITH ITEMS 15 & 16 TO BE ON REAR SIDE OF PANEL.
- 4 MOUNT FLAT WASHERS (ITEM 52) ON REAR SIDE OF PANEL.



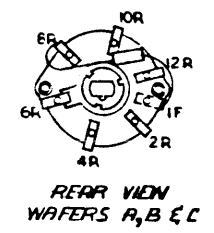
NO. REQ.	DRAWING NO.	DESCRIPTION	REFERENCE DESIGNATION	ITEM NO.
NOTES UNLESS SPECIFIED				
1. TOLERANCES XX ± .030 ANGULAR XXX ± .010 ± 1/2°				
2. BREAK ALL SHARP EDGES @ 1/16 APPROX.				
3. HATCH SURFACES				
4. ALL DIM. IN INCHES				
MATERIAL LIST				
SDS SCIENTIFIC DATA SYSTEMS 1542 FIFTEENTH STREET SANTA MONICA CALIFORNIA				
TITLE ASSY, CONTROL PANEL				
MODEL NO. 310/320		SIZE DWS NO.		L
NEXT ASSY. 100613 100549		D 100946		L
SCALE :		DO NOT SCALE DRAWING		SHEET 1 OF 4

100946/L

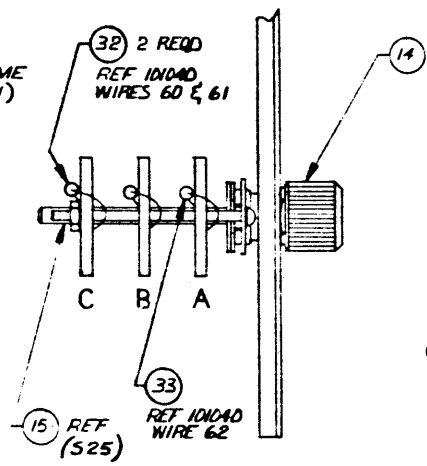
REVISIONS			
REV	DESCRIPTION	CHK	DATE
	SEE SHT 01.E		



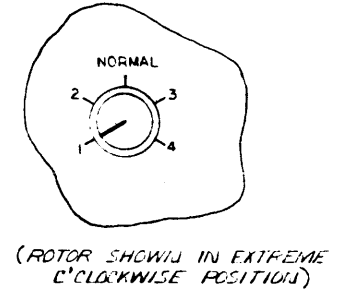
VIEW J-J
SCALE 1:1
(ROTOR SHOWN IN EXTREME C'CLOCKWISE POSITION)



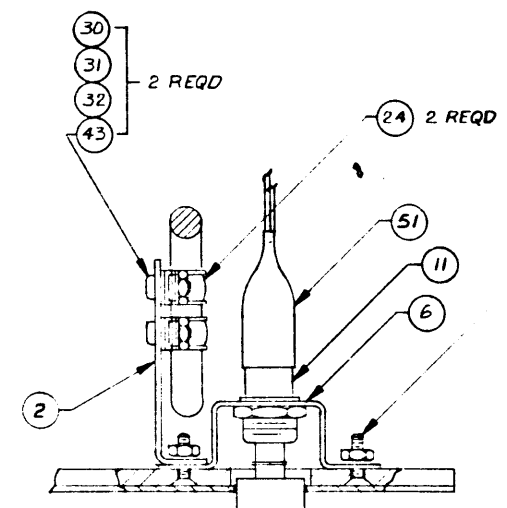
REAR VIEW
WAFERS A, B & C



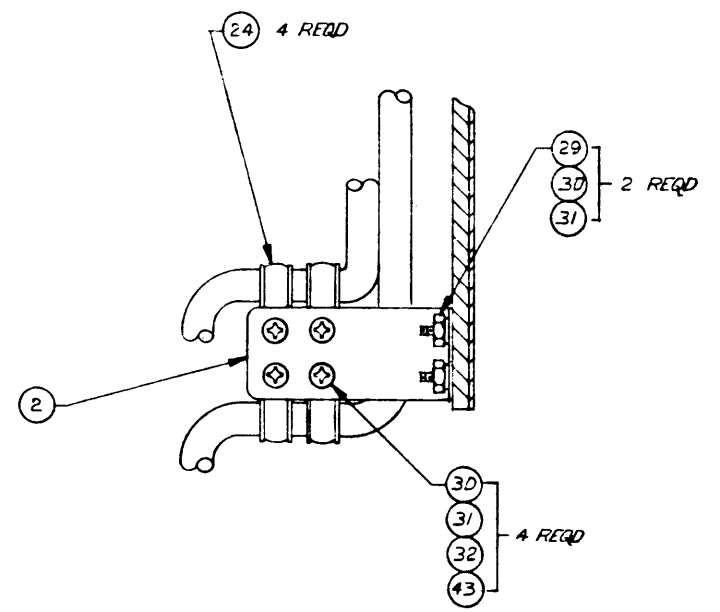
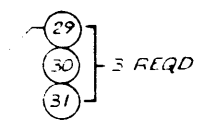
VIEW D-D
(SEE SHT 1)



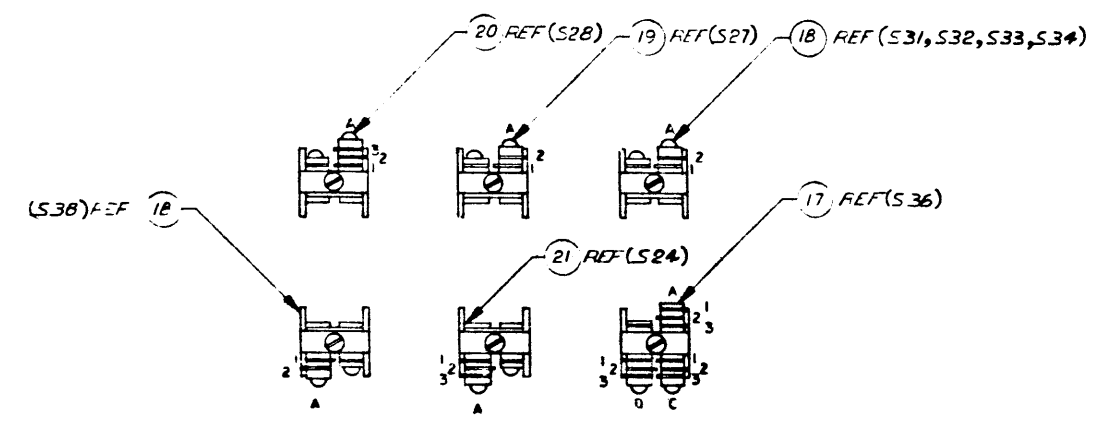
NORMAL
(ROTOR SHOWN IN EXTREME C'CLOCKWISE POSITION)



VIEW B-B
(SEE SHT 1)



SECTION C-C
(SEE SHT 1)



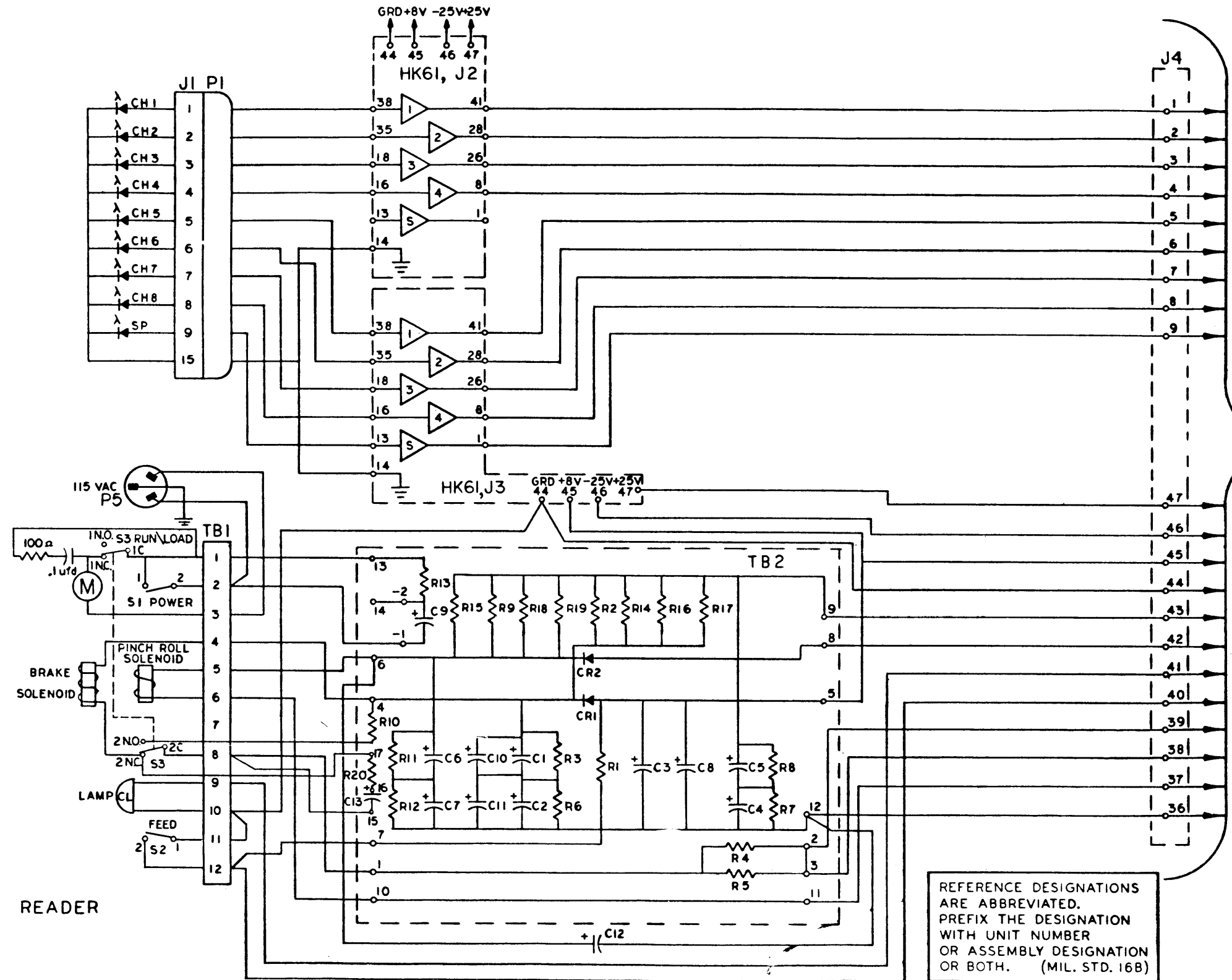
LEVER SWITCHES TO BE INSTALLED IN SHOWN POSITIONS. WIRING POINTS ARE INDICATED. (REF WIRE LIST #101040)

NO. REQD	DRAWING NO.	DESCRIPTION	REFERENCE DESIGNATION	ITEM NO.
MATERIAL LIST				
NOTES UNLESS SPECIFIED		DRAWN <i>[Signature]</i>	SDS SCIENTIFIC DATA SYSTEMS 1642 FIFTEENTH STREET SANTA MONICA CALIFORNIA	
1. TOLERANCES XX = 0.000 ANGLULAR XXX = 0.010 2°		CHECK <i>[Signature]</i>	TITLE ASSY, CONTROL PANEL	
2. BREAK ALL SHARP EDGES .010 APPROX.		APPR. <i>[Signature]</i>		
3. MACH SURFACES ✓				
4. ALL DIM. IN INCHES				
MODEL NO.	9ED	SIZE	DWG. NO.	L.
NEXT ASSY.	100513 100349	SCALE	DO NOT SCALE DRAWING	SHEET 2 OF 4

100946/L

REV	DWG. NO.	MATERIAL LIST	DWG. TITLE	SDS	SCIENTIFIC DATA SYSTEMS	ML	DWG. NO.	REV
L	100946	ASSY, CONTROL PANEL	MOD # 910/920	DATE 7/6/68	SHEET 3 OF 4		100946	L
ML	DWG. NO.	ITEM	DWG. TITLE	DWG. NO.	NO. REQ.	REMARKS OR CKT. DESIG.		
	100946	1	Assy, Indicator Board	100945	1			
		2	Angle, Cable Clamp Mtg	100944	2			
		3	Panel, Overlay Comp. Cont.	100052	1			
		4	Panel, Sub Comp. Cont.	100056	1			
		5	Angle, Switch Mtg	105185	1			
		6	Bracket, Switch Mtg.	100058	1			
		7	Assy, Cable Plug Module	100968	1	P1		
		8	Assy, Cable Plug Module	100969	1	P2		
		9	Assy, Cable Plug Module	100970	1	P3		
		10	Switch, Pushbutton	101255-001	1	S15		
		11	Switchlight P. B. Spec. Cont.	100051	1	S26		
		12	Switch, Pushbutton	100074-001	2	S35, S29		
		13	Switch, Push-button	101804-002	24	S1 thru S23, S30		
		14	Knob, Knurled	100059	2	S25, S37		
		15	Switch, Rotary 5 Pos.	101038	1	S25		
		16	Switch, Rotary 4 Pos.	101039	1	S37		
		17	Switch, Lever	101521	1	S36		
		18	Switch, Lever Form A Lock	100933	5	S 31, 32, 33, 34, 38		
		19	Switch, Lever, Form A Lock Non-Lock	101266	1	S27		
		20	Switch, Lever form D Lock	100934	1	S28		
		21	Switch, Lever, Form C Lock Non-Lock	101520	1	S24		
		22	Switch, Pushbutton	101804-001	1	S29		
		23	Nut, Ring	100114	26			
		24	Clamp, Cable Nylon	100657-005	6			
		25	Standoff, Threaded Rivet	101666-402	6			
		26	Wire, Solid Bare	100042-024	50 Ft			
		27	Tubing, Teflon	100274-022	50 Ft			
		28	Screw, Pan Hd Rec. Phillip	100012-306	2			
		29	Screw, Fl. Hd. Phil. (100%)	100039-308	5			
		30	Nut, Hex Machine	100008-300	11			
		31	Washer, Lock Int. Tooth	100024-300	13			
		32	Washer, Flat	100018-300	8			
		33	Resistor, 1/2 watt	100111-102	2	Ref. Wire List		
		34	Resistor, 1/2 watt	100111-273	1	Ref. Wire List		
		35	List, Wire, Cont. Panel	101040	x	Ref.		
		36	List, Wire (Cable Plug Mod	101041	x	Ref. P1		
		37	List, Wire, Cable Plug Mod	101042	x	Ref. P2		
		38	List, Wire, Cable Plug Mod	101043	x	Ref. P3		

REVISIONS				103628	E
REV.	DESCRIPTION	CHK	DATE	APPROVED	
D	REVISED & RE-DRAWN RELEASED TO MFG.				
E	SEE REV E0				



SEE SHEET #2

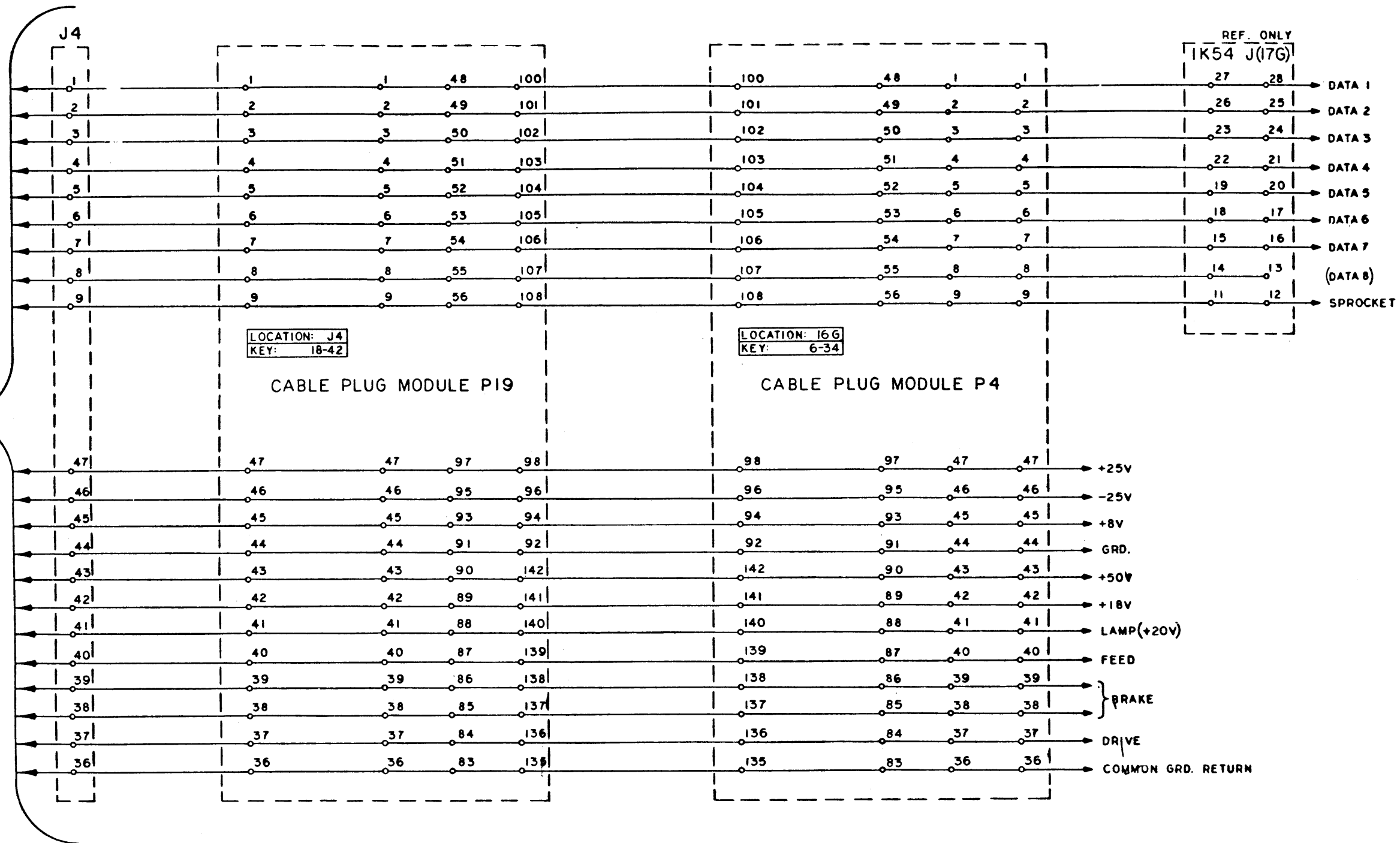
REFERENCE DESIGNATIONS ARE ABBREVIATED. PREFIX THE DESIGNATION WITH UNIT NUMBER OR ASSEMBLY DESIGNATION OR BOTH. (MIL. STD. 168)

READER

NO. REV.	DRAWING NO.	DESCRIPTION	REFERENCE DESIGNATION	ITEM NO.
MATERIAL LIST				
NOTES UNLESS SPECIFIED		DRAWN <i>Fernandez</i> 3/24/64	SDS SCIENTIFIC DATA SYSTEMS SANTA MONICA, CALIFORNIA	
1. TOLERANCES DIM ± .008 ANGLE HOLE ± .010 ± .015		CHECK <i>[Signature]</i> 2/25/64	TITLE SCHEMATIC, TAPE READER	
2. BREAK ALL SHARP EDGES .010 APPROX.		APPR <i>[Signature]</i> 2/25/64		
3. HATCH SURFACES ✓				
4. ALL DIM. IN INCHES				
MODEL NO. 9131 9130		REV D	DWG NO. 103628	CHANGE LAYER E
NEXT ASSY 100937 104577		SCALE		DO NOT SCALE DRAWING SHEET 1 OF 3

1000701E

REVISIONS				103628	E
REV.	DESCRIPTION	CHK.	DATE	APPROVED	
	SEE SHEET ONE				



SEE SHEET #1

103628/E

NO. RES.	DRAWING NO.	DESCRIPTION	REFERENCE DESIGNATION	ITEM NO.
MATERIAL LIST				
NOTES UNLESS SPECIFIED		DRAWN <i>Fernandez</i> 3/24/64	 SCHEMATIC, TAPE READER	
1. TOLERANCES: DIM. ±.000 ANGULAR ±.1°		CHECK <i>[Signature]</i> 7/25/64		
2. BREAK ALL SHARP EDGES .010 APPROX.		APPR. <i>[Signature]</i> 8/16/64		
3. HATCH SURFACES ✓				
4. ALL DIM. IN INCHES				
MODEL NO.	9131	SIZE	DWG. NO.	CHANGE LETTER
	9130		D	E
NEXT ASSY.	100937	SCALE	DO NOT SCALE DRAWING	SHEET 2 OF 3
	104577			

REVISIONS			103628	E
REV	DESCRIPTION	CHK	DATE	APPROVED
/	SEE SHEET ONE	/		/

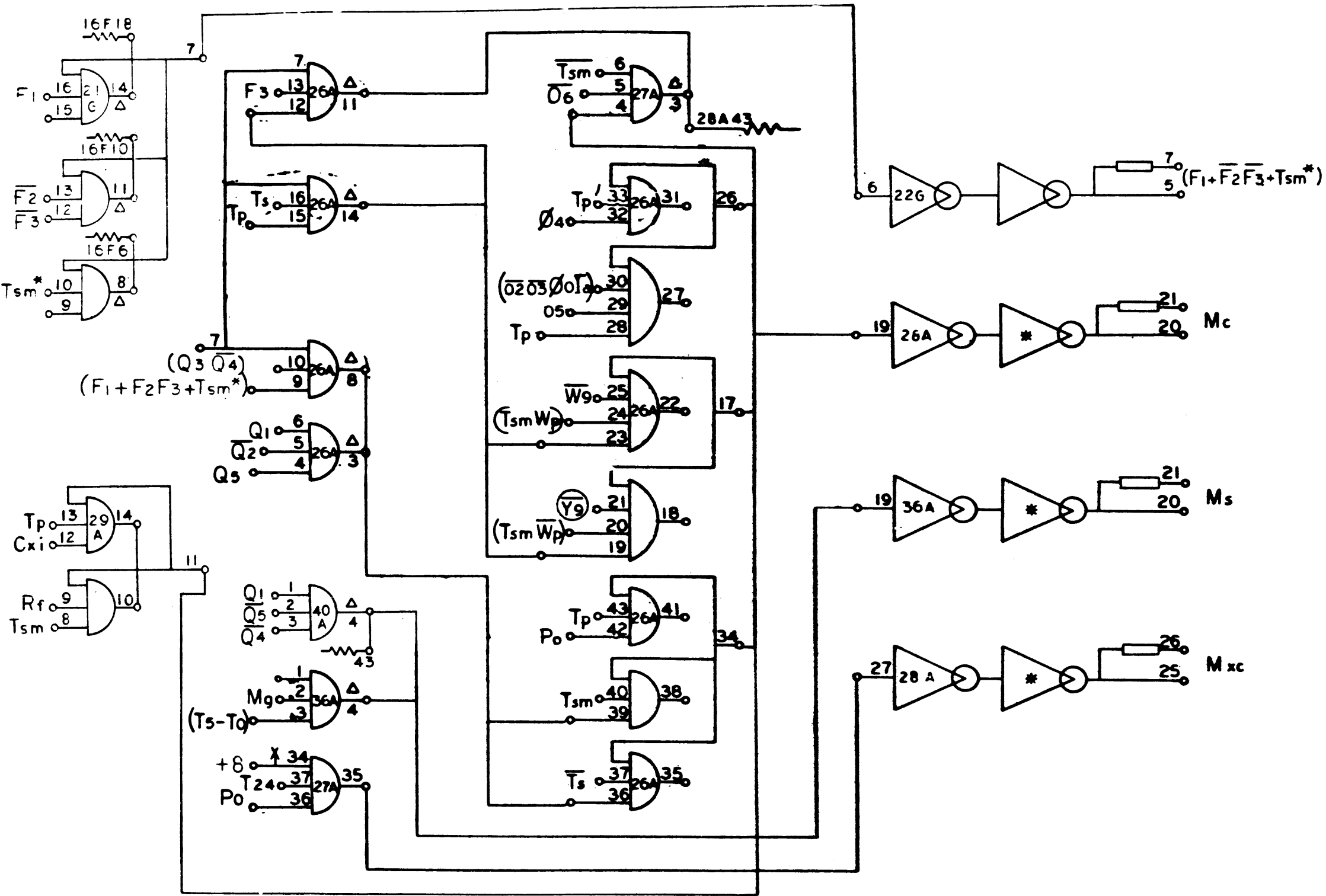
REPLACEMENT PARTS LIST

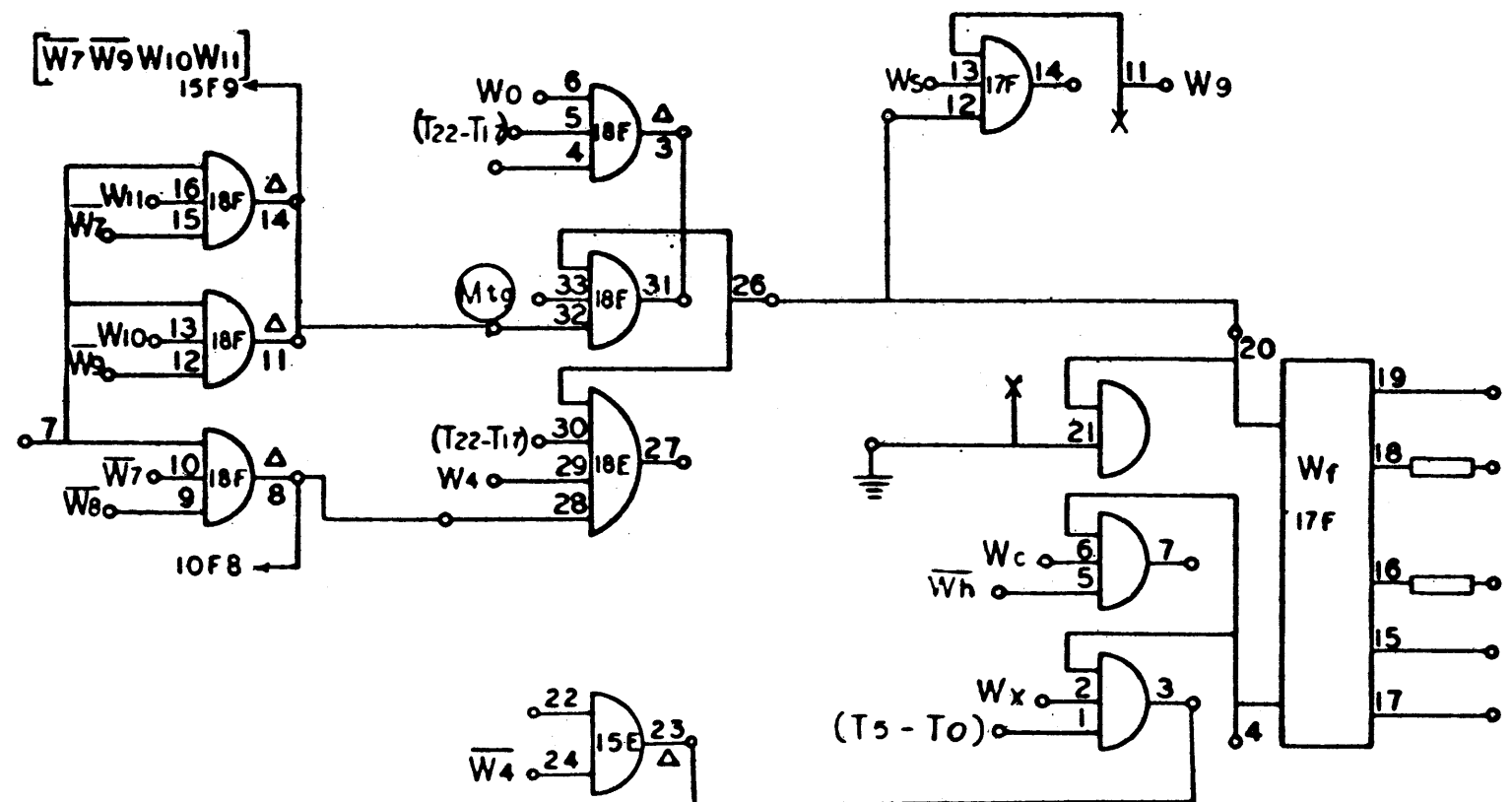
ITEM	DESCRIPTION	DESIGNATION	QTY	SUPPLIER CODE (SEE INDEX)
1	CONNECTOR, SOLDER TAIL, 47 CONTACT, #7008-47	J2, J3, J4	3	82
2	RESISTOR, 2.2K Ω \pm 2%	(TB2) R1	1	16,17
3	8.2K Ω \pm 2%	(TB2) R3, R6, R7, R8, R11, R12	6	16,17
4	WW 10 Ω \pm 5%	(TB2) R4, R5, R10	3	99,100
5	10 Ω \pm 2%	(TB2) R13, R20	2	36,38,73
6	RESISTOR, WW 500 Ω \pm 5%	(TB2) R2, R14, R16, R17	4	99,100
7	DIODE, SILICON IN3189	(TB2) CR1, CR2	2	2,30,68
8	CAPACITOR, TANTALUM 15 μ F \pm 20% 50V	(TB2) C4, C5, C13	3	22,23,77
9	CAPACITOR, TANTALUM 4.7 μ F \pm 20% 50V	(TB2) C3, C8	2	22,23,77
10	CAPACITOR, TANTALUM 47 μ F \pm 20% 35V	(TB2) C1, C2, C6, C7, C10, C11	6	22,23,67
11	CAPACITOR, OIL 25 μ F \pm 20% 1000V	(TB2) C9	1	80,81
12	CORD, AC CORD #16/3 SPT-3 WITH PLUG #PA-3	P5	1	101
13	RESISTOR, WW 250 Ω \pm 5%	(TB2) R9, R15, R18, R19	4	99,100
14	CONNECTOR, 15 PIN, FEMALE # DA-15S	P1	1	134
15	CAPACITOR, ELECTROLYTIC 250 μ F 150 V	C12	1	57,58,59

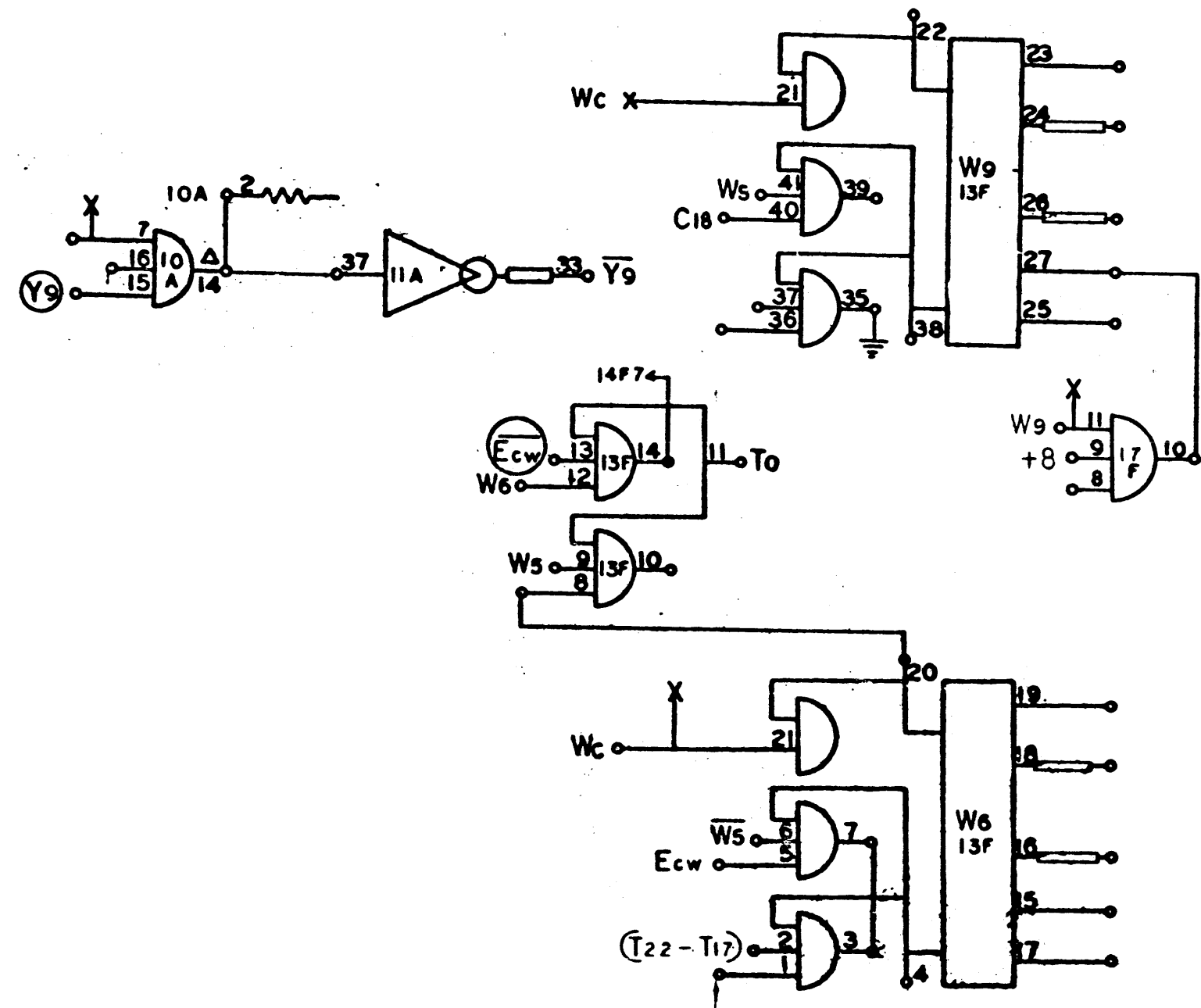
MODULE LIST

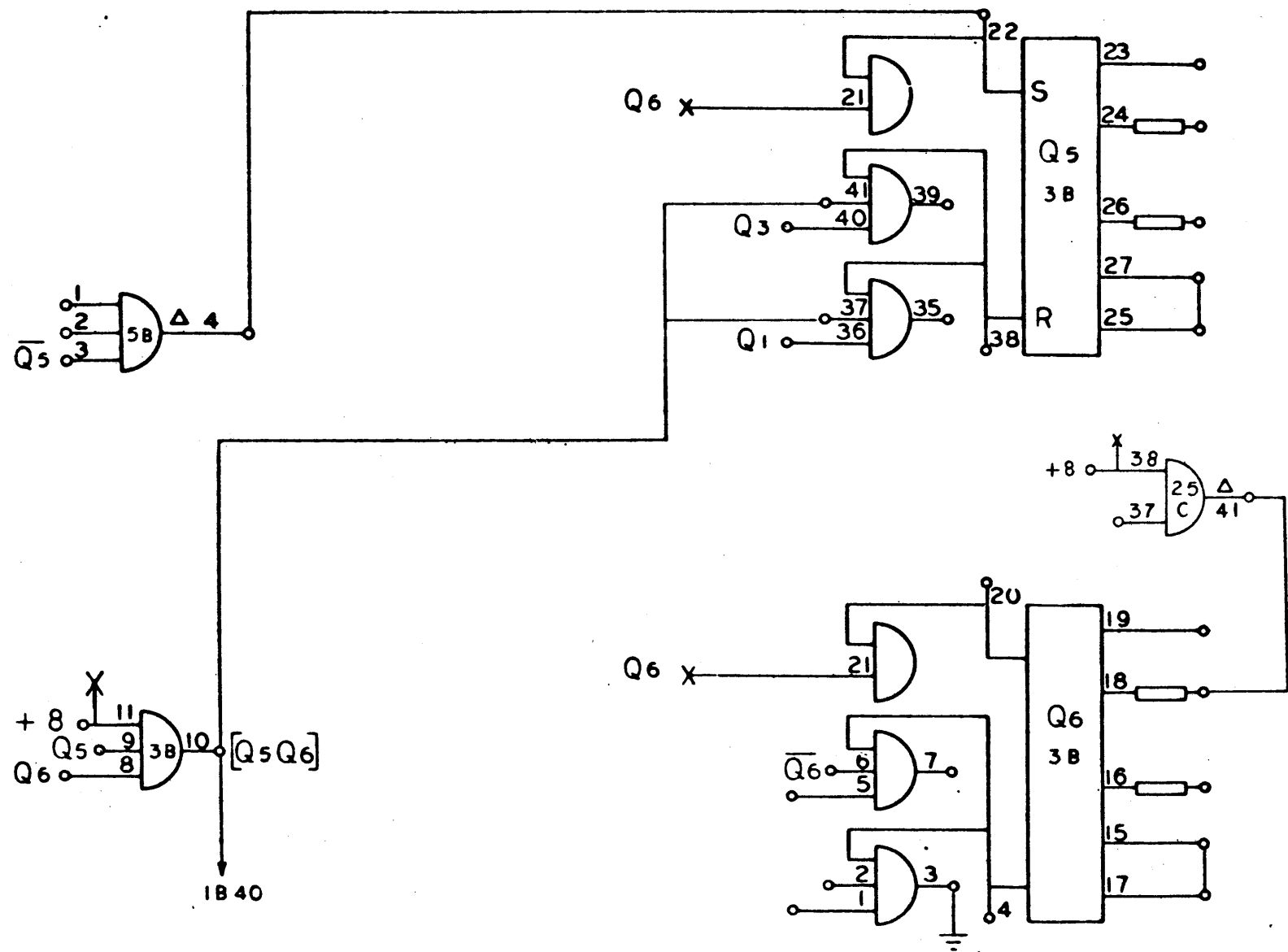
ITEM	DESCRIPTION	MODEL	QTY.
1	PHOTO SENSE AMPLIFIER	HK 61	2

NO. REG.	DRAWING NO.	DESCRIPTION	REFERENCE DESIGNATION	ITEM NO.
MATERIAL LIST				
NOTES UNLESS SPECIFIED		DRAWN <i>Fernandez</i> 3-24-64	SDS SCIENTIFIC DATA SYSTEMS 1725 FIFTEENTH STREET SANTA MONICA, CALIFORNIA	
1 TOLERANCES X \pm .030 Y \pm .010	ANGULAR 1:1	CHECK <i>[Signature]</i> 3-25-64	TITLE SCHEMATIC, TAPE READER	
2 BREAK ALL SHARP EDGES 3:10 APPROX	3 HATCH SURFACES <input checked="" type="checkbox"/>	APPR <i>[Signature]</i> 3-25-64		
4 ALL DIM IN INCHES			MODEL NO 9131 9130	SIZE D
			NEXT ASSY 100937 104577	DWG NO 103628
SCALE			DO NOT SCALE DRAWING	SHEET 3 OF 3



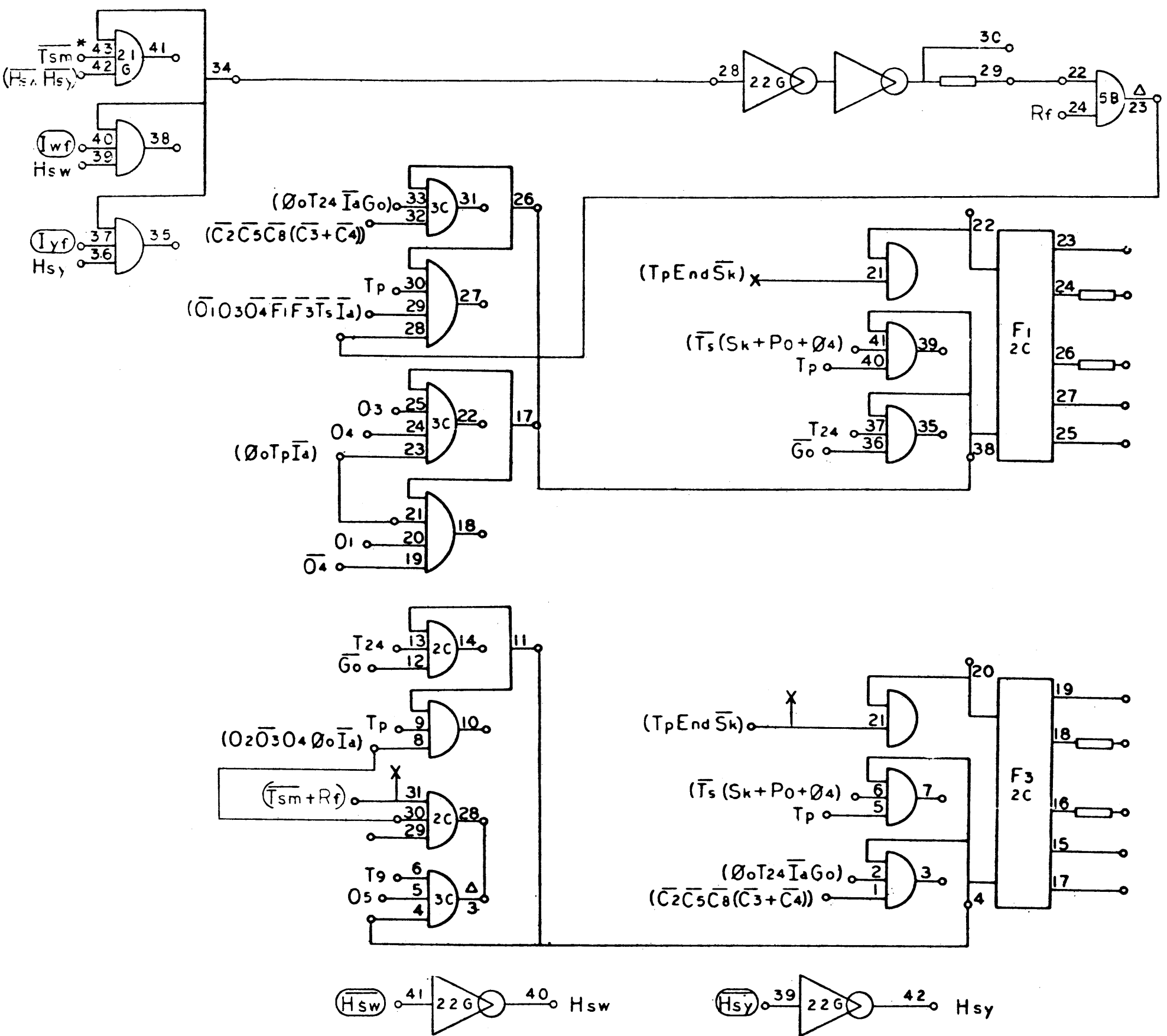


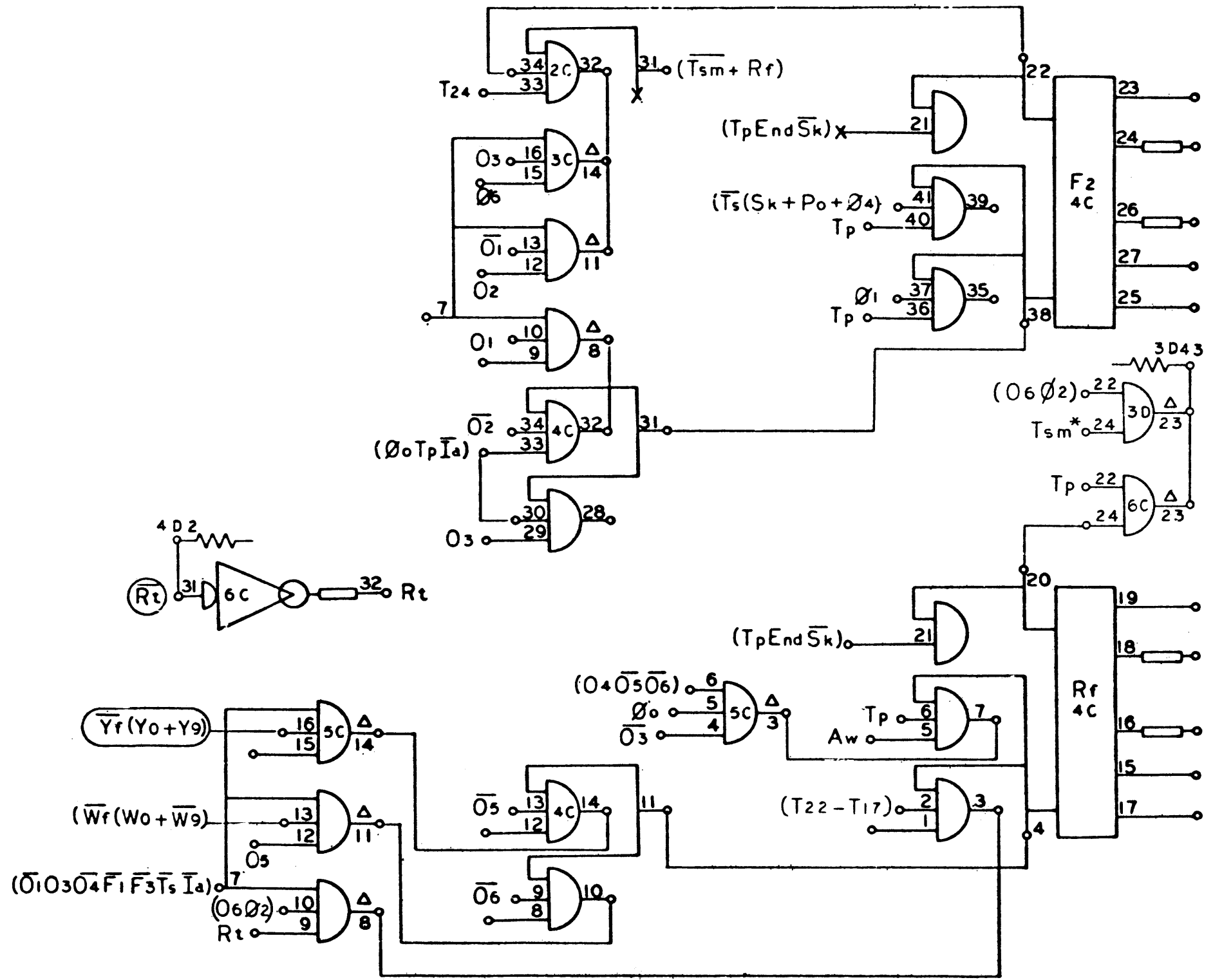


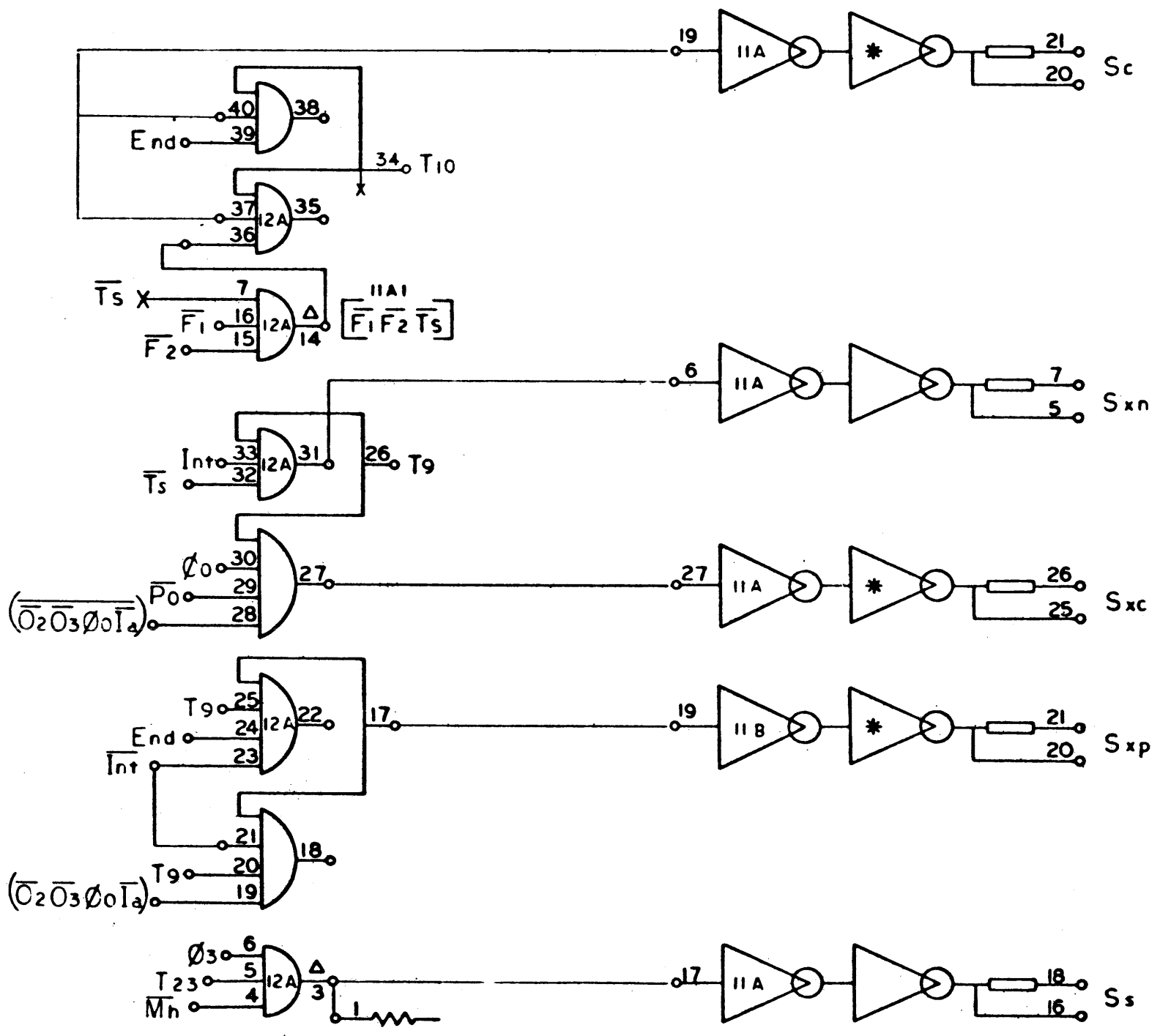


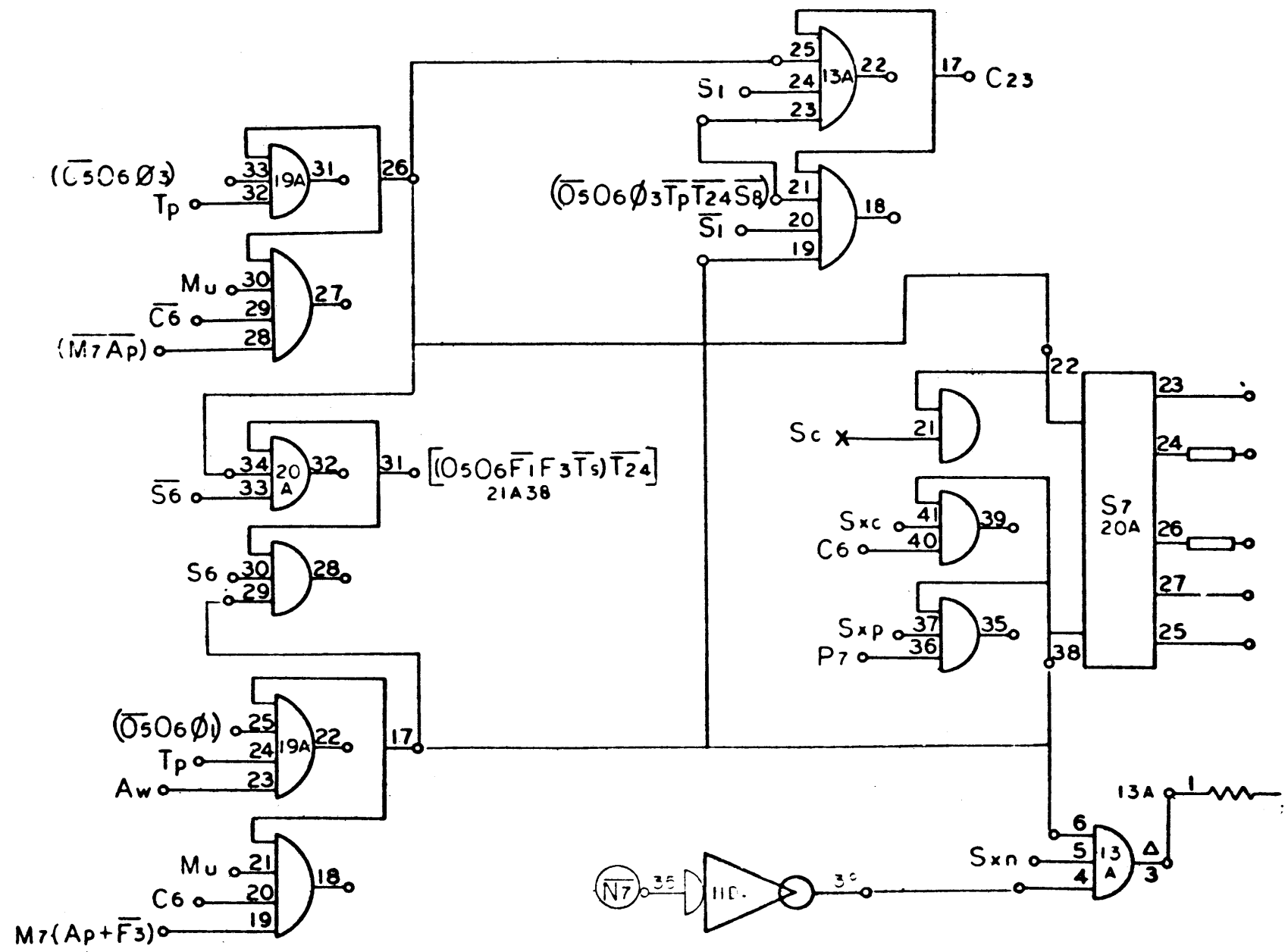
920
Page 36
920(MOD)
Page 5
A

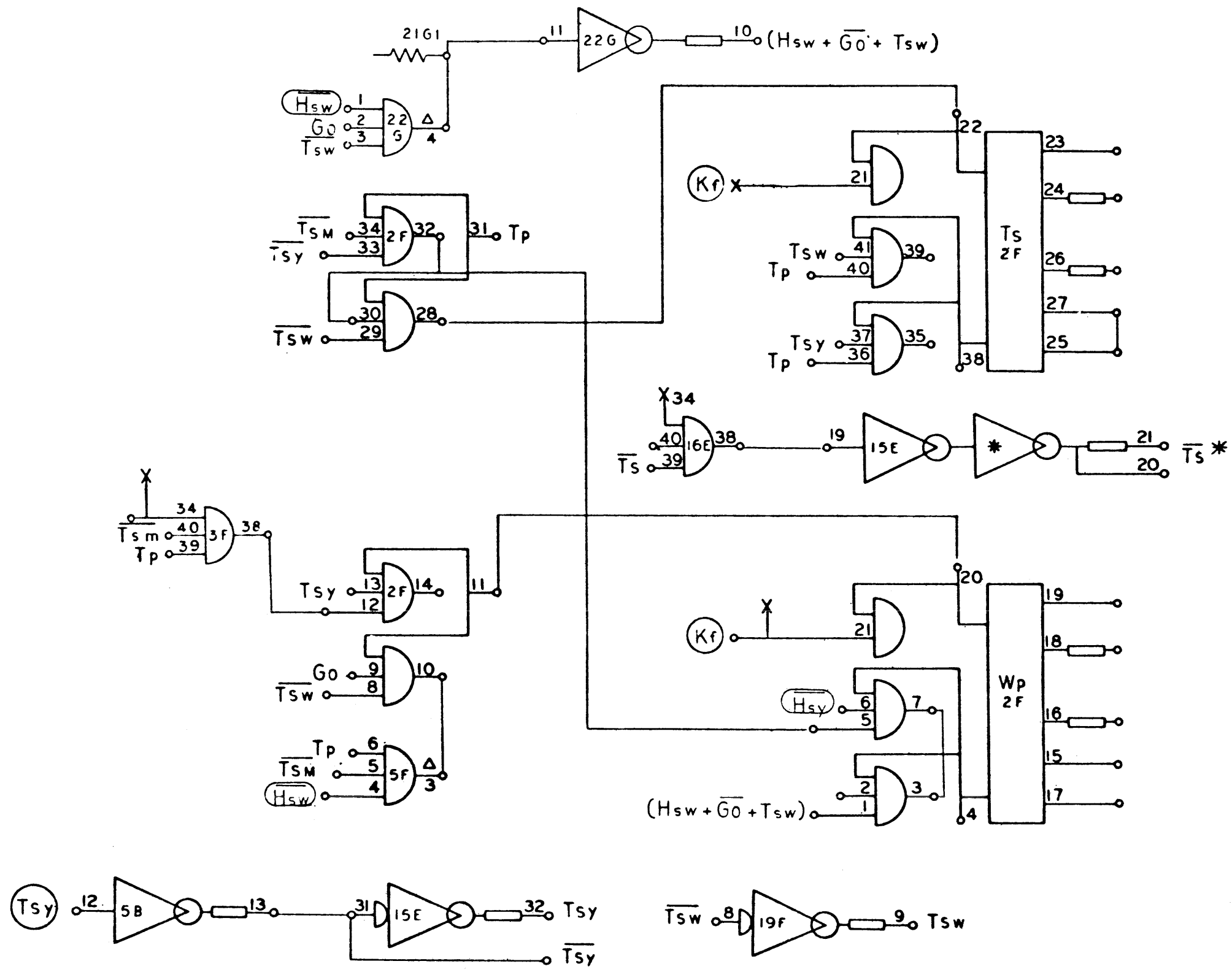
1B 40

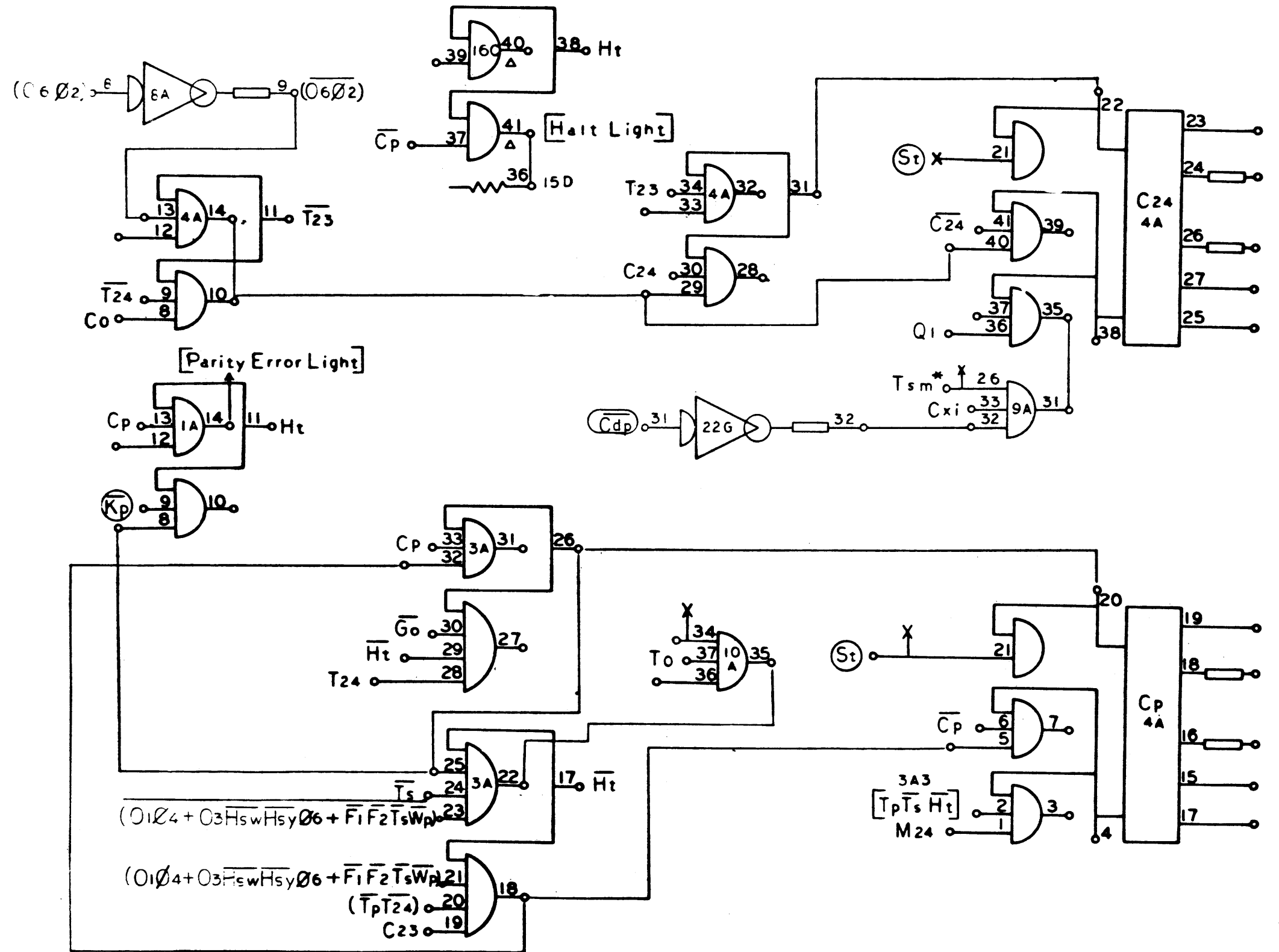


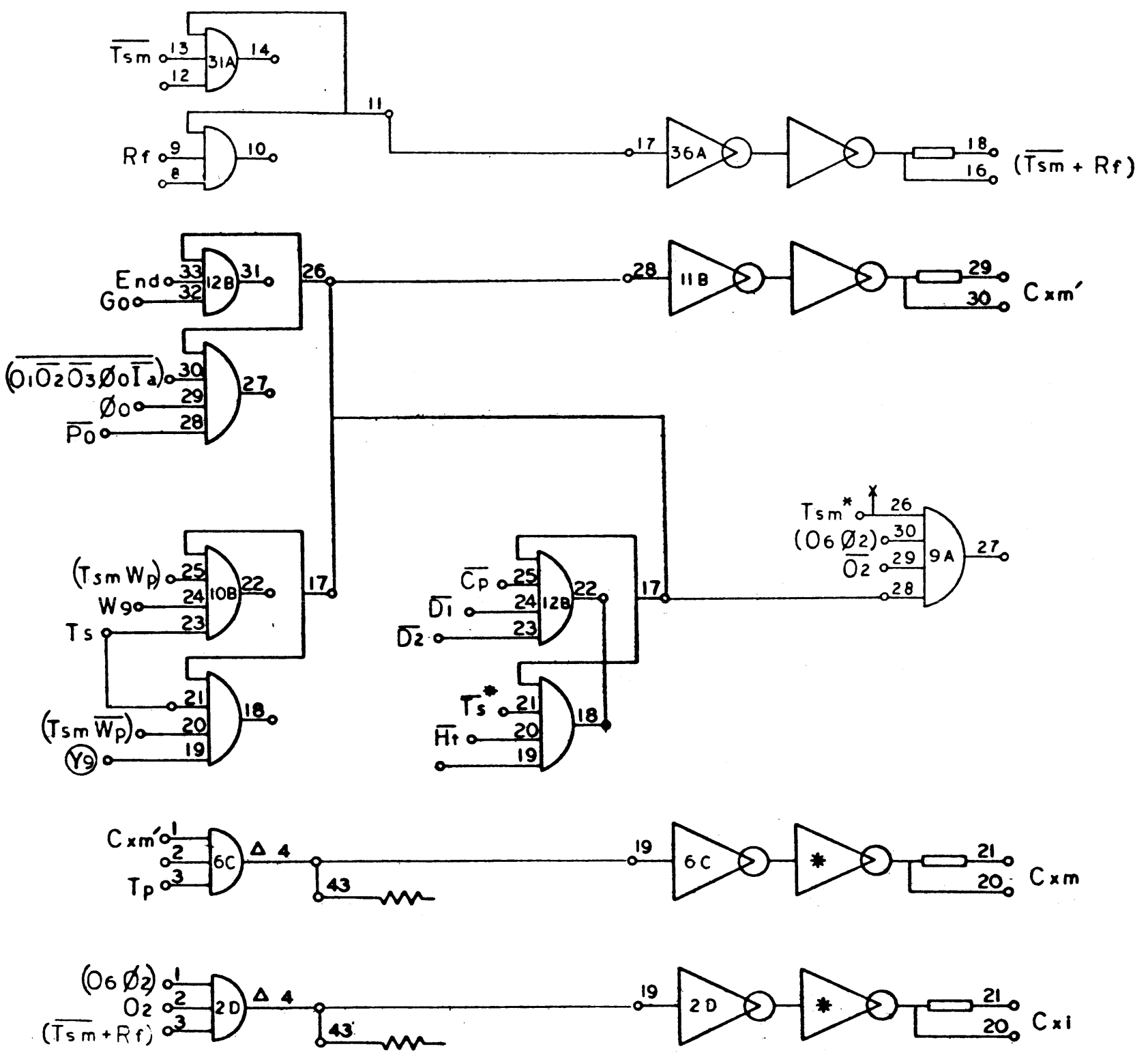




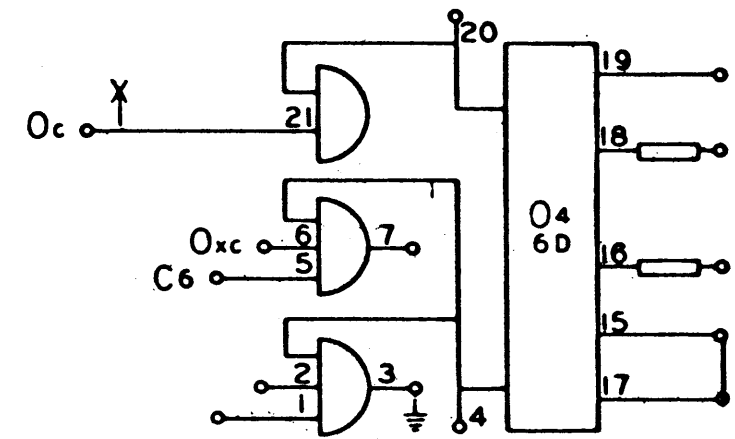
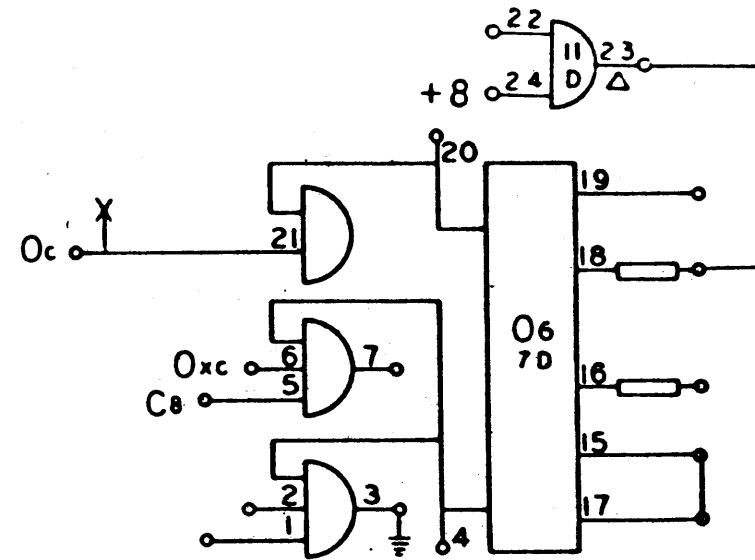
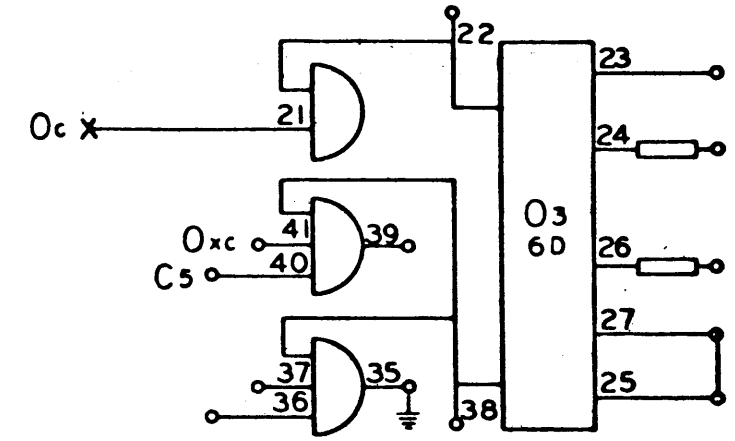
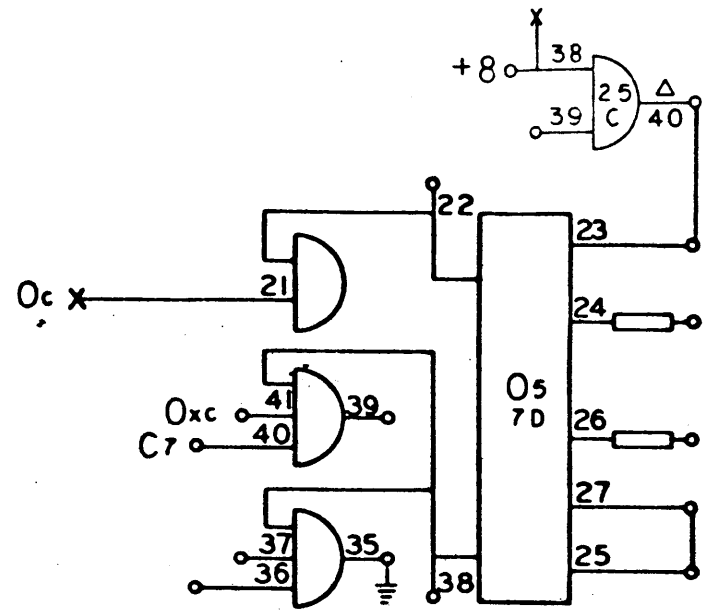


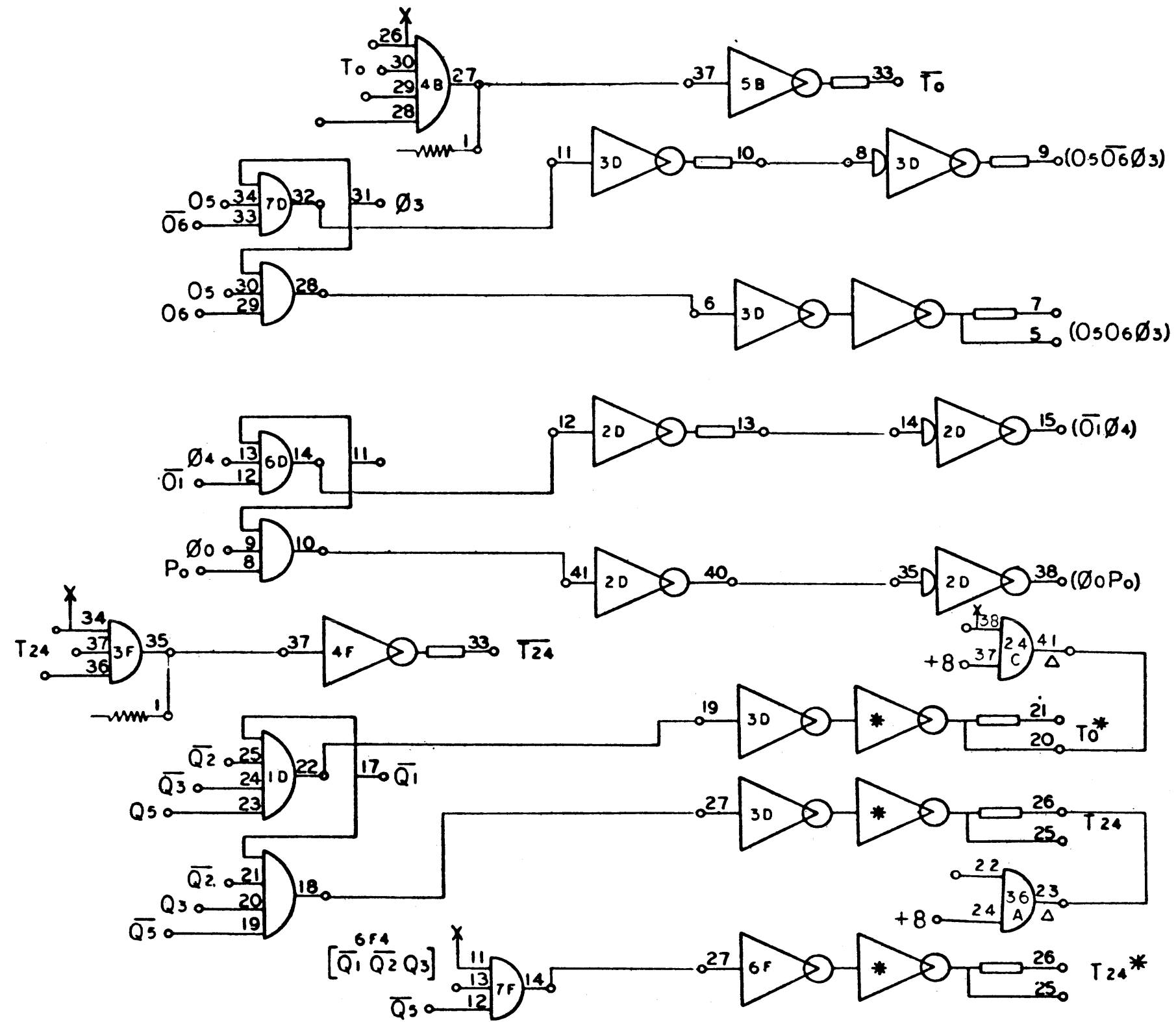


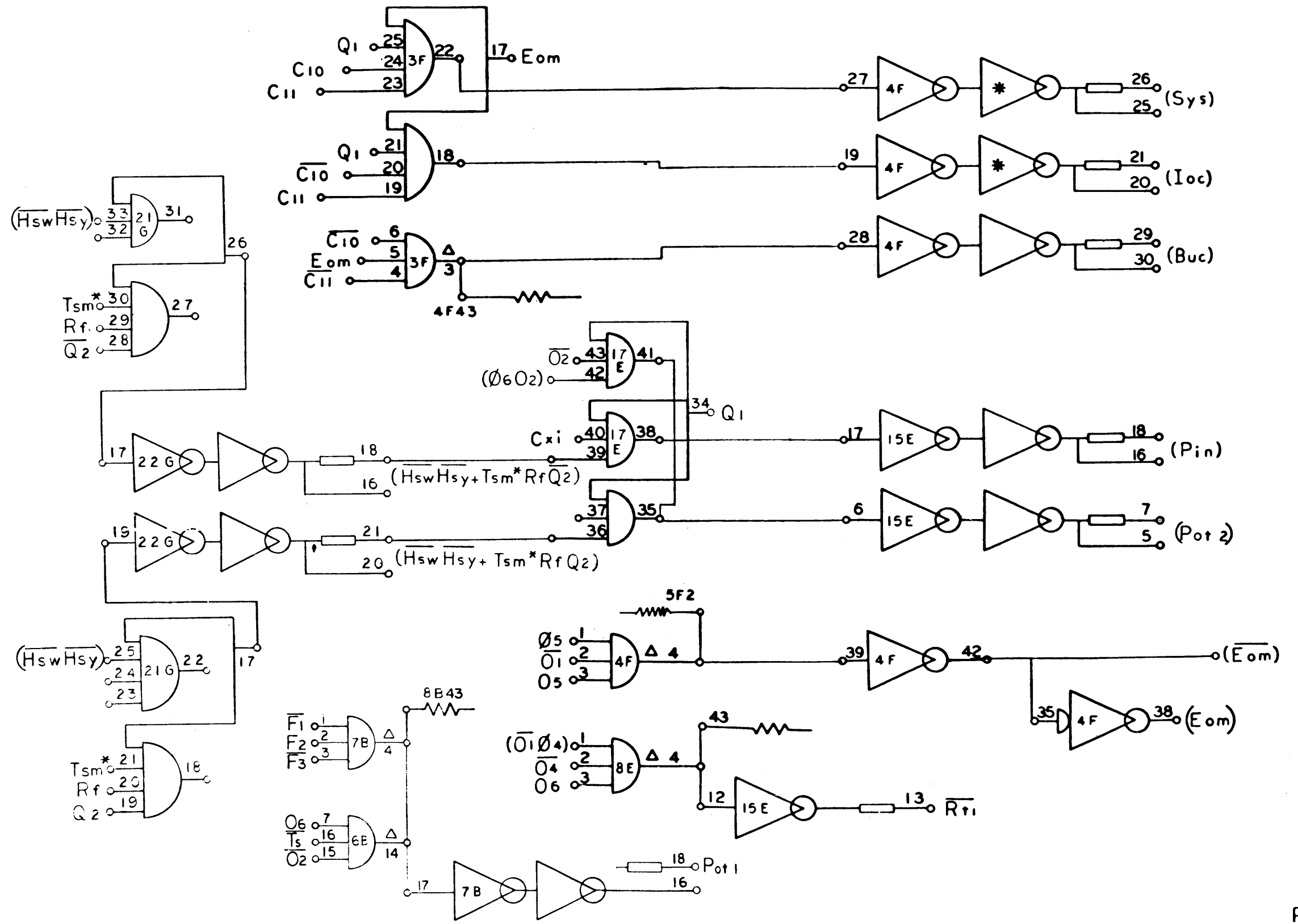


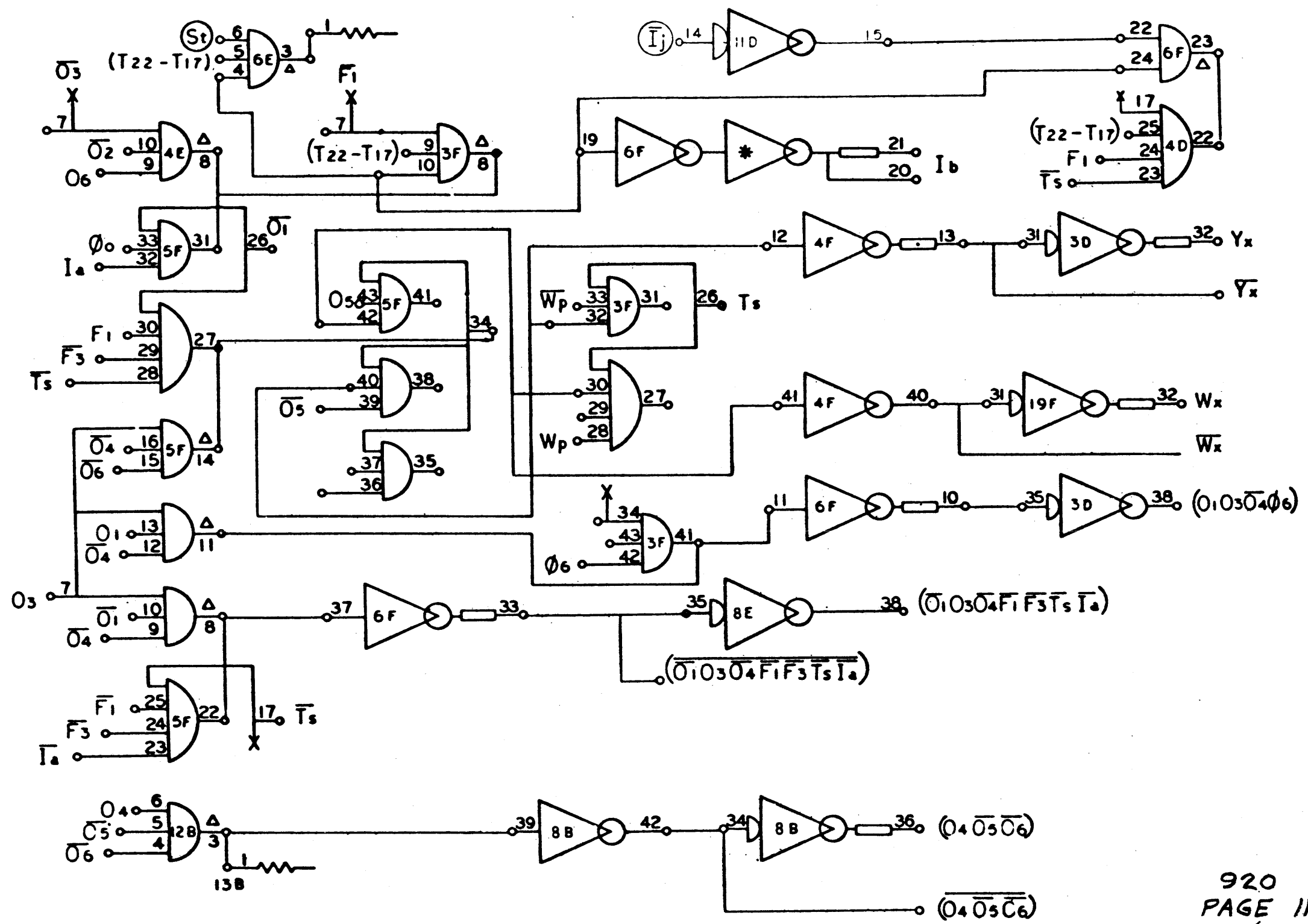


920
Page 67
920 (Mod)
Page 12
A

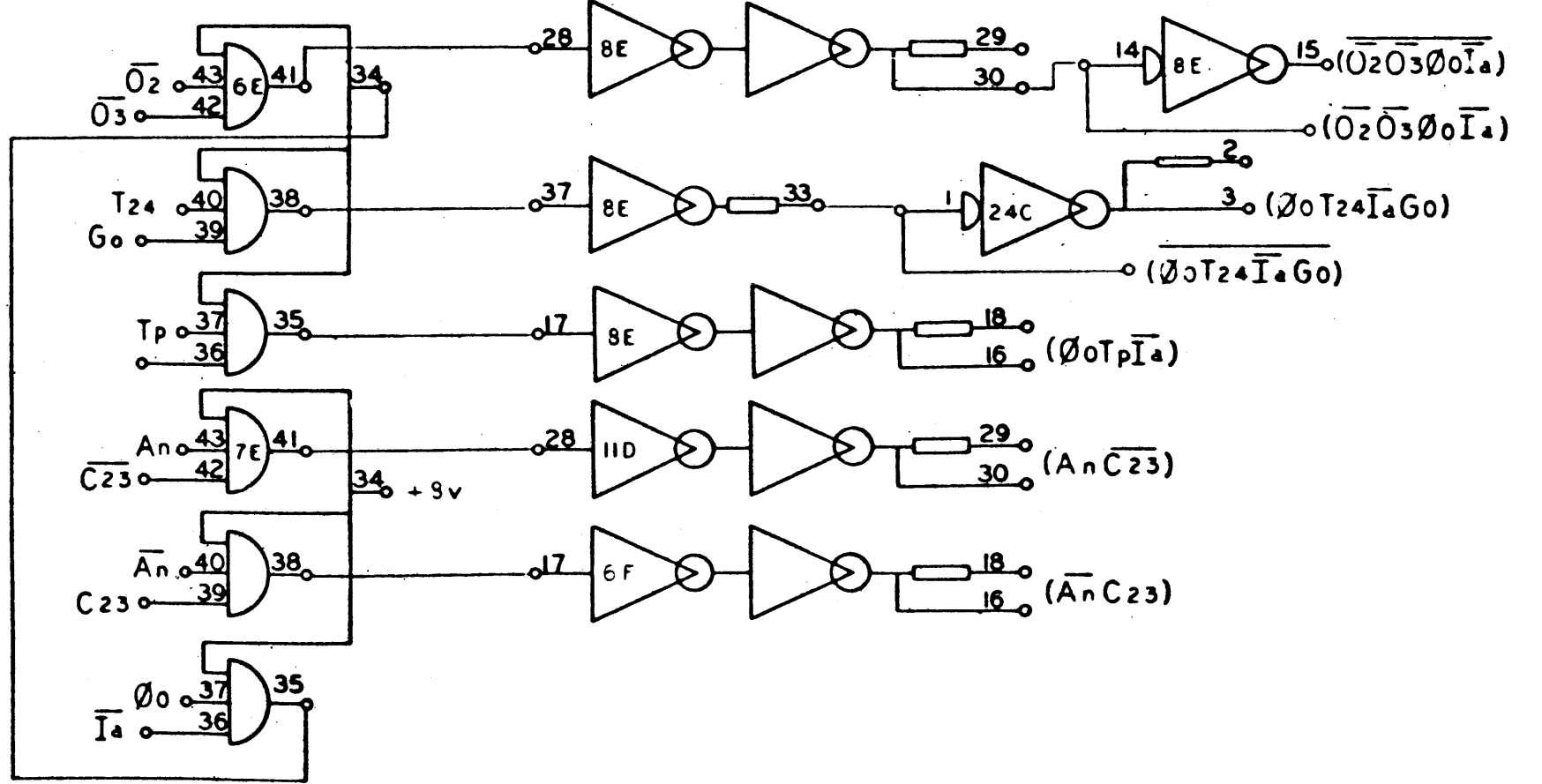
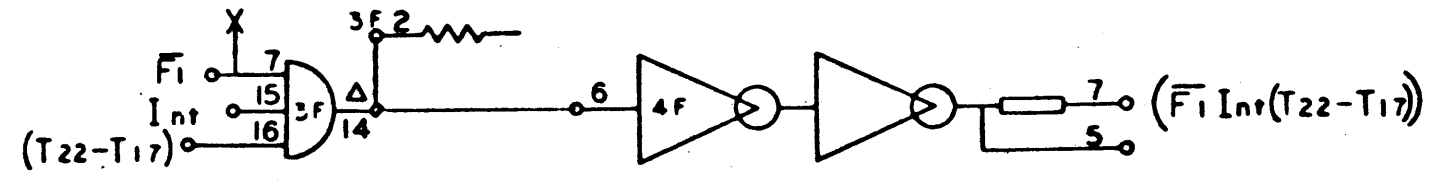
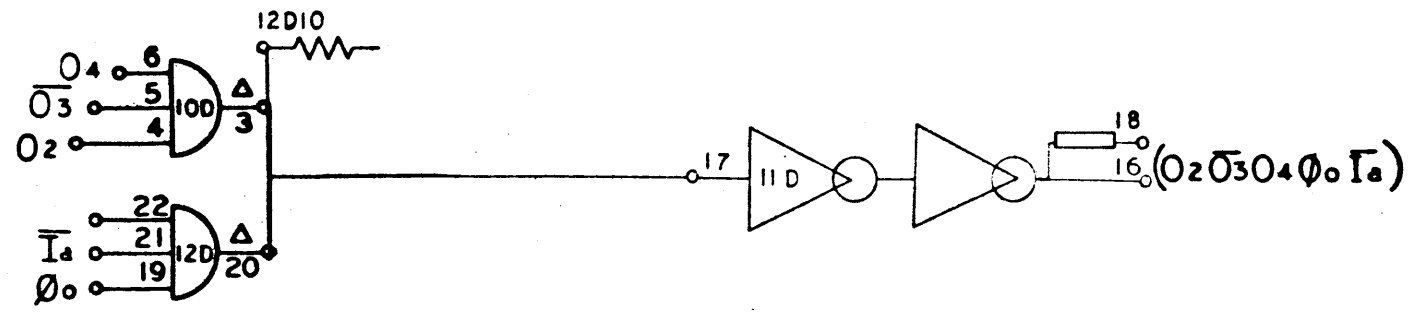


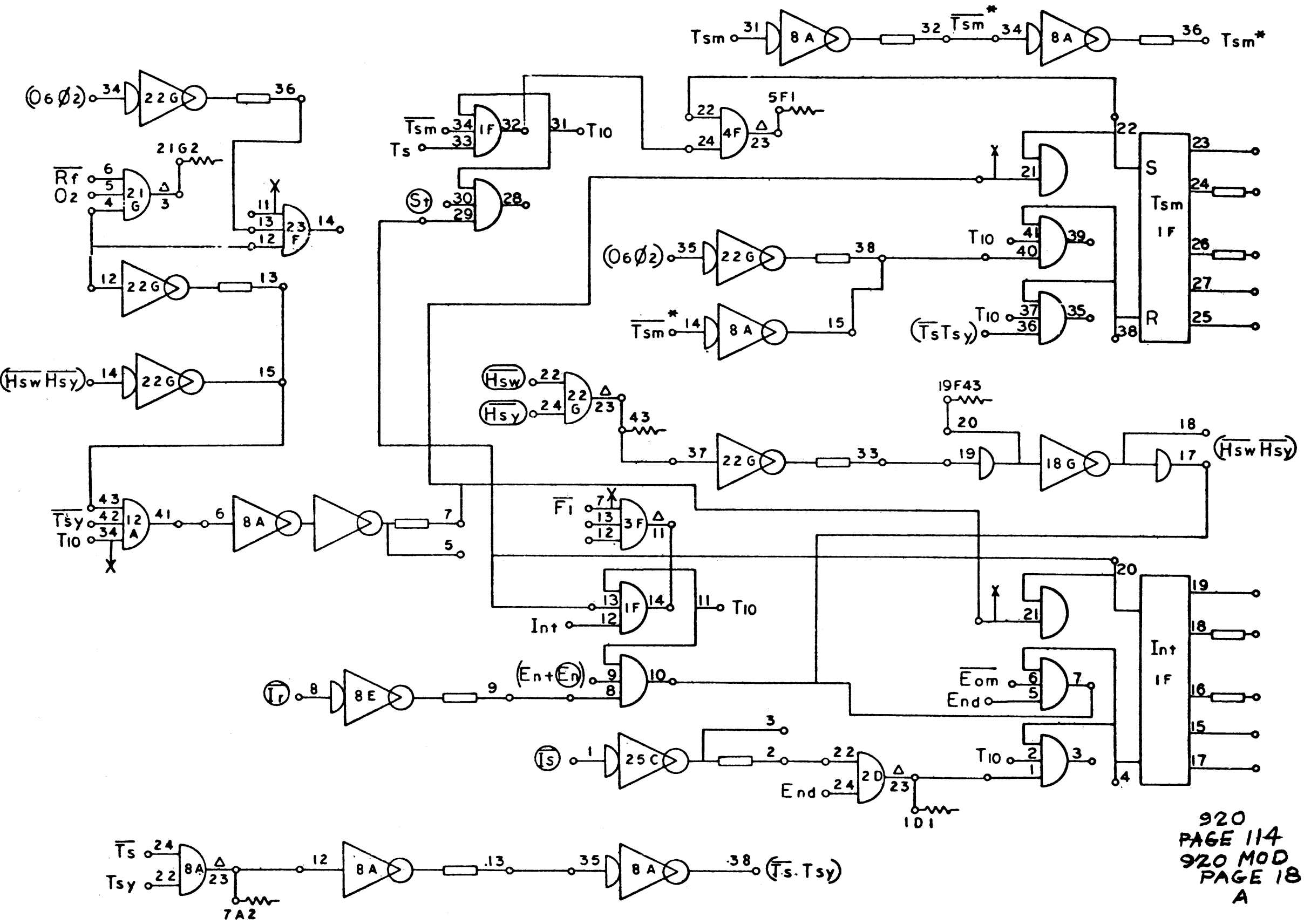






920
 PAGE III
 920(MOD)
 PAGE 1C
 A





920
 PAGE 114
 920 MOD
 PAGE 18
 A

PIN LOCATOR

LOC	14	LOC	15	LOC	16	LOC	17	LOC	18	LOC	19	LOC	20	LOC	21	LOC	22	LOC	23	LOC	24	LOC	25	LOC	
PIN	PAGE	PIN	PAGE	PIN	PAGE	PIN	PAGE	PIN	PAGE	PIN	PAGE	PIN	PAGE	PIN	PAGE	PIN	PAGE	PIN	PAGE	PIN	PAGE	PIN	PAGE	PIN	PAGE
1		1		1		1		1		1		1		1	64	1	64	1		1		1		1	
2		2		2		2		2		2		2		2	114	2	↓	2		2		2		2	
3		3		3		3		3		3		3		3	↓	3	↓	3		3		3		3	
4		4		4		4		4		4		4		4	↓	4	↓	4		4		4		4	
5		5		5		5		5		5		5		5	↓	5	1	5		5		5		5	
6		6		6		6		6		6		6		6	↓	6	1	6		6		6		6	
7		7		7		7		7		7		7		7	1	7	1	7		7		7		7	
8		8		8		8		8		8		8		8	↓	8		8		8		8		8	
9		9		9		9		9		9		9		9	↓	9		9		9		9		9	
10		10		10		10		10		10		10		10	↓	10	64	10		10		10		10	
11		11		11		11		11		11		11		11	↓	11	64	11		11		11		11	
12		12		12		12		12		12		12		12	↓	12	114	12		12		12		12	
13		13		13		13		13		13		13		13	↓	13	114	13		13		13		13	
14		14		14		14		14		14		14		14	↓	14	114	14		14		14		14	
15		15		15		15		15		15		15		15	↓	15	114	15		15		15		15	
16		16		16		16		16		16		16		16	↓	16	110	16		16		16		16	
17		17		17		17	114	17		17		17		17	110	17	↓	17		17		17		17	
18		18		18		18	114	18		18		18		18	↓	18		18		18		18		18	
19		19		19		19	114	19		19		19		19	↓	19		19		19		19		19	
20		20		20		20	114	20		20		20		20	↓	20		20		20		20		20	
21		21		21		21		21		21		21		21	↓	21		21		21		21		21	
22		22		22		22		22		22		22		22	↓	22	114	22		22		22		22	
23		23		23		23		23		23		23		23	↓	23	114	23		23		23		23	
24		24		24		24		24		24		24		24	↓	24	114	24		24		24		24	
25		25		25		25		25		25		25		25	↓	25		25		25		25		25	
26		26		26		26		26		26		26		26	↓	26		26		26		26		26	
27		27		27		27		27		27		27		27	↓	27		27		27		27		27	
28		28		28		28		28		28		28		28	↓	28	40	28		28		28		28	
29		29		29		29		29		29		29		29	↓	29	40	29		29		29		29	
30		30		30		30		30		30		30		30	↓	30	40	30		30		30		30	
31		31		31		31		31		31		31		31	↓	31	66	31		31		31		31	
32		32		32		32		32		32		32		32	↓	32	66	32		32		32		32	
33		33		33		33		33		33		33		33	↓	33	114	33		33		33		33	
34		34		34		34		34		34		34		34	40	34	↓	34		34		34		34	
35		35		35		35		35		35		35		35	↓	35		35		35		35		35	
36		36		36		36		36		36		36		36	↓	36		36		36		36		36	
37		37		37		37		37		37		37		37	↓	37		37		37		37		37	
38		38		38		38		38		38		38		38	↓	38		38		38		38		38	
39		39		39		39		39		39		39		39	↓	39	40	39		39		39		39	
40		40		40		40		40		40		40		40	↓	40	40	40		40		40		40	
41		41		41		41		41		41		41		41	↓	41	40	41		41		41		41	
42		42		42		42		42		42		42		42	↓	42	40	42		42		42		42	
43		43		43		43		43		43		43		43	40	43	114	43		43		43		43	
44		44		44		44		44		44		44		44	↓	44		44		44		44		44	
45		45		45		45		45		45		45		45	↓	45		45		45		45		45	
46		46		46		46		46		46		46		46	↓	46		46		46		46		46	
47		47		47		47		47		47		47		47	↓	47		47		47		47		47	

ROW
G

PIN LOCATOR

LOC	1	LOC	2	LOC	3	LOC	4	LOC	5	LOC	6	LOC	7	LOC	8	LOC	9	LOC	10	LOC	11	LOC	12	LOC	13
PIN	PAGE	PIN	PAGE	PIN	PAGE	PIN	PAGE	PIN	PAGE	PIN	PAGE	PIN	PAGE	PIN	PAGE	PIN	PAGE	PIN	PAGE	PIN	PAGE	PIN	PAGE	PIN	PAGE
1	45	1		1	58	1	66	1	47	1	46	1	46	1		1	37	1	34	1	44	1	52	1	58
2		2	45	2		2		2		2		2	114	2		2	80	2	30	2		2		2	54
3		3		3	45	3		3		3		3	47	3		3		3	37	3		3	52	3	58
4		4		4		4		4		4		4		4		4		4		4		4		4	
5		5		5		5		5		5		5		5	114	5		5		5	52	5		5	
6		6		6		6		6		6		6		6	114	6		6		6		6		6	
7		7	45	7	101	7		7		7		7		7	114	7	69	7	42, 34, 30	7		7	52 & 53	7	54
8	66	8		8		8		8	46	8		8	46	8	66	8		8	42	8	44	8	53	8	
9		9		9		9		9		9		9		9	66	9		9		9		9		9	
10		10		10		10		10		10		10		10		10		10		10		10		10	
11		11	45	11		11		11		11		11	47	11		11		11	34	11		11		11	
12		12		12		12		12		12		12		12	114	12		12		12	101	12		12	
13		13		13		13		13		13		13		13	114	13		13		13	101	13		13	
14		14		14		14		14		14		14		14	114	14		14	30	14	80	14	52	14	
15	45	15	47	15		15		15	47	15		15		15	115	15		15		15	80	15		15	
16		16		16		16		16		16		16		16		16		16		16	52	16		16	
17		17		17	66	17		17		17	47	17		17		17	54	17	65	17		17		17	58
18		18		18		18		18		18		18		18		18		18		18		18		18	
19		19	45	19		19		19		19		19		19		19		19		19		19		19	
20		20		20		20		20		20		20		20		20		20		20		20		20	
21		21		21		21		21	46 & 47	21		21		21		21		21		21		21		21	
22		22		22		22		22		22		22		22	114	22		22		22	53	22		22	
23		23		23		23		23		23		23		23	114	23		23		23		23		23	
24		24		24		24		24		24		24		24	114	24		24		24		24		24	
25		25		25		25		25		25		25		25		25		25		25	52	25		25	
26		26		26		26		26		26		26	47	26		26	66 & 67	26	56 & 57	26		26		26	53
27		27		27		27		27		27		27		27		27	67	27		27		27		27	
28	115	28		28		28		28		28		28		28		28	67	28		28	46	28		28	
29		29		29		29		29		29		29		29		29	67	29		29		29		29	
30		30		30		30		30		30		30		30		30	67	30		30		30		30	
31	45 & 115	31		31		31		31		31		31		31	114	31	66	31	56	31	101	31		31	
32	45	32		32		32		32		32		32		32	114	32	66	32		32	101	32		32	
33		33		33		33		33		33		33		33		33	66	33		33	30	33		33	
34		34		34	45 & 101	34		34		34	46	34	46 & 47	34	114	34	38, 81, 44	34	56, 57, 66	34	44	34	52 & 114	34	54
35		35		35	45	35		35		35		35	47	35	114	35	81	35	66	35	84	35	52	35	
36		36		36		36		36		36		36		36	114	36		36		36	44	36		36	
37		37		37		37		37		37		37		37		37		37		37	30	37		37	
38		38		38	101	38		38		38		38	46	38	114	38	44	38	57	38	84	38		38	
39		39		39		39		39		39		39		39		39		39		39	59	39		39	
40		40		40		40		40		40		40		40		40		40		40	101	40		40	
41		41		41		41		41		41		41	47	41		41	38	41	56	41	101	41	114	41	
42		42		42		42		42		42		42		42		42		42		42	59	42	114	42	
43		43		43		43		43		43		43		43		43		43		43	59	43	114	43	
44		44		44		44		44		44		44		44		44		44		44		44		44	
45		45		45		45		45		45		45		45		45		45		45		45		45	
46		46		46		46		46		46		46		46		46		46		46		46		46	
47		47		47		47		47		47		47		47		47		47		47		47		47	

ROW A

PIN LOCATOR

LOC	26	LOC	27	LOC	28	LOC	29	LOC	30	LOC	31	LOC	32	LOC	33	LOC	34	LOC	35	LOC	36	LOC	37	LOC	38
PIN	PAGE	PIN	PAGE	PIN	PAGE	PIN	PAGE	PIN	PAGE	PIN	PAGE	PIN	PAGE	PIN	PAGE	PIN	PAGE	PIN	PAGE	PIN	PAGE	PIN	PAGE	PIN	PAGE
1		1	15	1	2	1	2	1	3	1	3	1	4	1	4	1	5	1	5	1	1	1	6	1	6
2	15	2	15	2	↓	2	↓	2	↓	2	↓	2	↓	2	↓	2	↓	2	↓	2	↓	2	↓	2	↓
3	1	3	1	3	↓	3	↓	3	↓	3	↓	3	↓	3	↓	3	↓	3	↓	3	↓	3	↓	3	↓
4		4	↓	4	2	4	↓	4	↓	4	↓	4	↓	4	↓	4	↓	4	↓	4	↓	4	↓	4	↓
5		5	↓	5	14	5	↓	5	↓	5	↓	5	↓	5	↓	5	↓	5	↓	5	↓	5	↓	5	↓
6		6	1	6	14	6	↓	6	↓	6	↓	6	↓	6	↓	6	↓	6	↓	6	↓	6	↓	6	↓
7		7	15	7	14	7	2	7	3	7	↓	7	4	7	4	7	5	7	5	7	14	7	6	7	6
8		8	↓	8	8	8	1	8	14	8	67	8	10	8	10	8	10	8	10	8	11	8	9	8	9
9		9	↓	9	9	9	1	9	↓	9	67	9	↓	9	↓	9	↓	9	↓	9	↓	9	↓	9	↓
10		10	↓	10	12	10	1	10	↓	10	67	10	↓	10	↓	10	↓	10	↓	10	↓	10	↓	10	↓
11		11	↓	11	↓	11	1	11	↓	11	67	11	↓	11	↓	11	↓	11	↓	11	↓	11	↓	11	↓
12		12	↓	12	↓	12	1	12	↓	12	67	12	↓	12	↓	12	↓	12	↓	12	↓	12	↓	12	↓
13		13	↓	13	↓	13	1	13	↓	13	67	13	↓	13	↓	13	↓	13	↓	13	↓	13	↓	13	↓
14		14	↓	14	↓	14	1	14	14	14	67	14	10	14	10	14	10	14	10	14	↓	14	9	14	9
15		15	↓	15	12	15	2	15	3	15	3	15	4	15	4	15	5	15	5	15	11	15	6	15	6
16		16	15	16	13	16	↓	16	↓	16	↓	16	↓	16	↓	16	↓	16	↓	16	↓	16	↓	16	↓
17		17	13	17	13	17	↓	17	↓	17	↓	17	↓	17	↓	17	↓	17	↓	17	↓	17	↓	17	↓
18		18	↓	18	13	18	↓	18	↓	18	↓	18	↓	18	↓	18	↓	18	↓	18	↓	18	↓	18	↓
19		19	↓	19	1	19	↓	19	↓	19	↓	19	↓	19	↓	19	↓	19	↓	19	1	19	↓	19	↓
20		20	↓	20	1	20	↓	20	↓	20	↓	20	↓	20	↓	20	↓	20	↓	20	1	20	↓	20	↓
21		21	↓	21	1	21	↓	21	↓	21	↓	21	↓	21	↓	21	↓	21	↓	21	1	21	↓	21	↓
22		22	↓	22	↓	22	↓	22	↓	22	↓	22	↓	22	↓	22	↓	22	↓	22	↓	22	↓	22	↓
23		23	↓	23	↓	23	↓	23	↓	23	↓	23	↓	23	↓	23	↓	23	↓	23	↓	23	↓	23	↓
24		24	↓	24	↓	24	↓	24	↓	24	↓	24	↓	24	↓	24	↓	24	↓	24	↓	24	↓	24	↓
25		25	↓	25	1	25	↓	25	↓	25	↓	25	↓	25	↓	25	↓	25	↓	25	15	25	↓	25	↓
26		26	↓	26	1	26	↓	26	↓	26	↓	26	↓	26	↓	26	↓	26	↓	26	15	26	↓	26	↓
27		27	↓	27	1	27	2	27	3	27	3	27	4	27	4	27	5	27	5	27	15	27	6	27	6
28		28	↓	28	13	28	13	28	14	28	10	28	10	28	10	28	10	28	10	28	14	28	9	28	9
29		29	↓	29	13	29	↓	29	↓	29	↓	29	↓	29	↓	29	↓	29	↓	29	14	29	↓	29	↓
30		30	↓	30	13	30	↓	30	↓	30	↓	30	↓	30	↓	30	↓	30	↓	30	14	30	↓	30	↓
31		31	↓	31	↓	31	↓	31	↓	31	↓	31	↓	31	↓	31	↓	31	↓	31	12	31	↓	31	↓
32		32	↓	32	↓	32	↓	32	↓	32	↓	32	↓	32	↓	32	↓	32	↓	32	↓	32	↓	32	↓
33		33	13	33	12	33	↓	33	↓	33	↓	33	↓	33	↓	33	↓	33	↓	33	↓	33	↓	33	↓
34		34	1, 14	34	14	34	13	34	14	34	10	34	10	34	10	34	10	34	10	34	↓	34	9	34	9
35		35	1	35	12	35	2	35	3	35	3	35	4	35	4	35	5	35	5	35	↓	35	6	35	6
36		36	1	36	14	36	↓	36	↓	36	↓	36	↓	36	↓	36	↓	36	↓	36	↓	36	↓	36	↓
37		37	1	37	12	37	↓	37	↓	37	↓	37	↓	37	↓	37	↓	37	↓	37	↓	37	↓	37	↓
38		38	14	38	12	38	↓	38	↓	38	↓	38	↓	38	↓	38	↓	38	↓	38	↓	38	↓	38	↓
39		39	↓	39	12	39	↓	39	↓	39	↓	39	↓	39	↓	39	↓	39	↓	39	↓	39	↓	39	↓
40		40	↓	40	13	40	↓	40	↓	40	↓	40	↓	40	↓	40	↓	40	↓	40	↓	40	↓	40	↓
41		41	↓	41	13	41	2	41	3	41	3	41	4	41	4	41	5	41	5	41	↓	41	6	41	6
42	↓	42	↓	42	12	42	↓	42	↓	42	↓	42	↓	42	↓	42	↓	42	↓	42	12	42	↓	42	↓
43	1	43	14	43	1	43	↓	43	↓	43	↓	43	↓	43	↓	43	↓	43	↓	43	↓	43	↓	43	↓
44		44	↓	44	↓	44	↓	44	↓	44	↓	44	↓	44	↓	44	↓	44	↓	44	↓	44	↓	44	↓
45		45	↓	45	↓	45	↓	45	↓	45	↓	45	↓	45	↓	45	↓	45	↓	45	↓	45	↓	45	↓
46		46	↓	46	↓	46	↓	46	↓	46	↓	46	↓	46	↓	46	↓	46	↓	46	↓	46	↓	46	↓
47		47	↓	47	↓	47	↓	47	↓	47	↓	47	↓	47	↓	47	↓	47	↓	47	↓	47	↓	47	↓

ROW A

PIN LOCATOR

LOC	1	LOC	2	LOC	3	LOC	4	LOC	5	LOC	6	LOC	7	LOC	8	LOC	9	LOC	10	LOC	11	LOC	12	LOC	13
PIN	PAGE	PIN	PAGE	PIN	PAGE	PIN	PAGE	PIN	PAGE	PIN	PAGE	PIN	PAGE	PIN	PAGE	PIN	PAGE	PIN	PAGE	PIN	PAGE	PIN	PAGE	PIN	PAGE
1	34	1	35	1	36	1	99	1	36	1	42	1	15	1	39	1	65	1	86	1	86	1	86	1	111
2		2		2		2		2		2	42	2		2		2	65	2	86	2		2	48	2	
3		3		3		3	37	3		3	44	3		3		3	86	3	65	3		3	111	3	48
4		4		4		4		4		4		4		4		4		4		4		4		4	
5		5		5		5		5	38	5		5	81	5	44	5		5		5	115	5		5	
6		6		6		6		6		6		6		6		6		6		6		6		6	
7		7		7		7	45, 38, 42	7		7	15	7		7		7	65 & 86	7	86	7		7	48	7	48 & 69
8	39	8		8		8	42	8	78	8	42	8	77	8	79	8	86	8		8	74	8		8	69
9		9		9		9		9	78	9		9	77	9	79	9		9		9	74	9		9	
10		10		10		10		10	38	10		10	39	10	39	10		10		10	34	10		10	
11	34 & 39	11		11	36 & 37	11	38	11	38	11		11	39	11		11	65	11		11	34	11		11	48
12	34	12		12	37	12		12	64	12		12	44	12		12		12		12	37	12		12	
13		13		13		13		13	64	13		13	44	13		13		13		13	37	13		13	
14		14		14		14	45	14	38	14	15	14	72	14	80	14		14		14	75	14		14	
15		15		15	36	15		15	38	15		15	72	15	80	15		15		15	75	15		15	
16		16		16		16		16	37	16		16	15	16	38	16		16		16	39	16		16	
17		17		17		17	38	17		17	65	17		17		17	39	17	67	17		17	67	17	
18		18		18		18		18		18		18		18		18		18		18		18		18	
19		19		19		19		19	86	19		19	86	19	65	19		19		19	52	19		19	
20		20		20		20		20		20		20		20		20		20		20		20		20	
21		21		21		21		21		21		21		21		21		21		21		21		21	
22		22		22		22		22	40	22		22	47	22	81	22		22		22	59	22		22	
23		23		23		23		23		23		23		23		23		23		23		23		23	
24		24		24		24		24		24		24		24		24		24		24		24		24	
25		25		25		25		25	86	25		25	86	25	65	25		25		25	48	25		25	
26		26		26		26	86 & 99	26		26	44	26		26		26		26	65	26		26		26	39
27		27		27		27	99	27		27		27		27		27		27		27		27		27	
28		28		28		28		28	37	28		28	42	28	42	28		28		28	67	28		28	
29		29		29	86	29		29		29		29		29		29		29		29		29		29	
30		30		30		30		30		30		30		30		30		30		30		30		30	
31		31		31		31	86	31	81	31		31	77	31	44	31		31		31	86	31		31	
32		32		32		32		32	81	32		32	77	32		32		32		32		32		32	
33		33		33		33		33	99	33		33	81	33		33		33		33		33		33	
34		34		34		34	37	34	38	34		34	76	34	111	34	65	34		34	43	34	48	34	48
35		35		35	36	35		35	81	35		35	44	35	101	35		35		35	75	35		35	
36		36		36		36		36	36	36		36	76	36	111	36		36		36	43	36		36	
37		37		37		37		37	99	37		37	81	37	44	37		37		37	86	37		37	
38		38		38		38		38	81	38		38	44	38	101	38		38		38	75	38		38	
39		39		39		39		39		39		39	44	39	111	39		39		39	56	39		39	
40		40		40		40		40	38	40		40	80	40	44	40		40		40	57	40		40	
41		41		41		41		41	38	41		41	80	41	44	41		41		41	57	41		41	
42		42		42		42		42		42		42	44	42	111	42		42		42	56	42		42	
43		43		43		43		43		43		43	86	43	15	43		43		43	86	43		43	
44		44		44		44		44		44		44		44		44		44		44		44		44	
45		45		45		45		45		45		45		45		45		45		45		45		45	
46		46		46		46		46		46		46		46		46		46		46		46		46	
47		47		47		47		47		47		47		47		47		47		47		47		47	

ROW
B

PIN LOCATOR

LOC	1	LOC	2	LOC	3	LOC	4	LOC	5	LOC	6	LOC	7	LOC	8	LOC	9	LOC	10	LOC	11	LOC	12	LOC	13
PIN	PAGE	PIN	PAGE	PIN	PAGE	PIN	PAGE	PIN	PAGE	PIN	PAGE	PIN	PAGE	PIN	PAGE	PIN	PAGE	PIN	PAGE	PIN	PAGE	PIN	PAGE	PIN	PAGE
1		1	40	1		1	41	1		1	67	1	68	1	68	1	81	1		1	69	1	70	1	71
2		2		2		2		2		2		2		2	69	2	68	2	69	2		2		2	
3		3		3	40	3		3	41	3		3		3		3	69	3		3		3		3	
4		4		4		4		4		4		4		4		4		4		4		4		4	
5		5		5		5		5		5	68	5		5		5		5		5	70	5		5	
6		6		6		6		6		6		6		6		6		6		6	70	6		6	
7		7		7	41	7		7		7		7		7		7		7		7	69	7		7	
8		8		8		8		8		8	34	8		8		8		8		8	69	8		8	
9		9		9		9		9		9	34	9		9		9		9		9	69 & 70	9		9	
10		10		10		10		10		10	43	10		10		10		10		10	70	10		10	
11		11		11		11		11		11		11		11		11		11		11		11		11	
12		12		12		12		12		12		12		12		12		12		12		12		12	
13		13		13		13		13		13		13		13		13		13		13	69 & 70	13		13	
14		14		14		14		14		14		14		14	68	14		14		14	69	14	71	14	
15		15		15		15		15		15		15		15	68	15		15		15		15		15	
16		16		16		16		16		16		16		16		16		16		16	69	16		16	
17		17		17	40	17		17	43	17		17	69	17		17		17		17		17		17	
18		18		18		18		18		18		18		18	69	18		18		18		18		18	
19		19		19		19		19		19	67	19		19		19		19		19		19		19	
20		20		20		20		20		20		20		20		20		20		20		20		20	
21		21		21		21		21		21		21		21		21		21		21		21		21	
22		22		22		22		22		22	41	22		22		22		22		22		22		22	
23		23		23		23		23		23		23		23		23		23		23		23		23	
24		24		24		24		24		24		24		24		24		24		24		24		24	
25		25		25		25		25		25	68	25		25		25		25		25		25		25	
26		26		26		26		26		26		26		26		26		26		26	69 & 70	26		26	
27		27		27		27		27		27		27		27		27		27		27	70	27	70	27	
28		28		28		28		28		28	44	28		28		28		28		28	70	28		28	
29		29		29		29		29		29		29		29		29		29		29	69 & 70	29		29	
30		30		30		30		30		30		30		30		30		30		30	70	30		30	
31		31	40 & 41	31		31		31		31	41	31		31		31		31		31		31		31	
32		32	41	32		32		32		32	41	32		32		32		32		32		32		32	
33		33		33		33		33		33	43	33		33		33		33		33		33		33	
34		34		34	43	34		34		34	43	34	68	34		34		34		34		34	70	34	
35		35		35		35		35		35		35		35		35		35		35		35		35	
36		36		36		36		36		36	43	36		36		36		36		36		36		36	
37		37		37		37		37		37	43	37		37		37		37		37	69	37		37	
38		38		38		38		38		38		38		38		38		38		38		38		38	70 & 71
39		39		39		39		39		39	85	39		39		39		39		39		39		39	70
40		40		40		40		40		40	43	40		40		40		40		40		40		40	70
41		41		41		41		41		41	43	41		41		41		41		41		41		41	71
42		42		42		42		42		42	85	42		42		42		42		42		42		42	
43		43		43		43		43		43	67	43		43		43		43		43		43		43	
44		44		44		44		44		44		44		44		44		44		44		44		44	
45		45		45		45		45		45		45		45		45		45		45		45		45	
46		46		46		46		46		46		46		46		46		46		46		46		46	
47		47		47		47		47		47		47		47		47		47		47		47		47	

ROW
C

PIN LOCATOR

LOC	14	LOC	15	LOC	16	LOC	17	LOC	18	LOC	19	LOC	20	LOC	21	LOC	22	LOC	23	LOC	24	LOC	25	LOC
PIN	PAGE	PIN	PAGE	PIN	PAGE	PIN	PAGE	PIN	PAGE	PIN	PAGE	PIN	PAGE	PIN	PAGE	PIN	PAGE	PIN	PAGE	PIN	PAGE	PIN	PAGE	
1	71	1	72	1	73	1	74	1	38	1	42	1	42	1	77	1	78	1	79	1		1	114	1
2		2		2		2		2		2		2		2		2		2		2		2		2
3		3		3		3		3		3		3		3		3		3		3		3		3
4		4		4		4		4	75	4	76	4	77	4		4		4		4	80	4	81	4
5		5		5		5		5		5		5		5		5		5		5		5		5
6		6		6		6		6		6		6		6		6		6		6		6		6
7		7		7		7		7		7		7		7		7		7		7		7		7
8		8		8		8		8		8		8		8		8		8		8		8		8
9		9		9		9		9		9		9		9		9		9		9		9		9
10		10		10		10		10		10		10		10		10		10		10		10		10
11		11		11		11		11		11		11		11		11		11		11		11		11
12		12		12		12		12		12		12		12		12		12		12		12		12
13		13		13		13		13		13		13		13		13		13		13		13		13
14	72	14		14		14		14		14		14		14	78	14		14		14		14		14
15		15		15		15		15		15		15		15		15		15		15		15		15
16		16		16		16		16		16		16		16		16		16		16		16		16
17		17		17		17		17		17		17		17		17		17		17		17		17
18		18		18		18		18		18		18		18		18		18		18		18		18
19		19		19		19		19		19		19		19		19		19		19		19		19
20		20		20		20		20		20		20		20		20		20		20		20		20
21		21		21		21		21		21		21		21		21		21		21		21		21
22		22		22		22		22		22		22		22		22		22		22		22		22
23		23		23		23		23		23		23		23		23		23		23		23		23
24		24		24		24		24		24		24		24		24		24		24		24		24
25		25		25		25		25		25		25		25		25		25		25		25		25
26		26		26		26		26		26		26		26		26		26		26		26		26
27		27		27		27		27		27		27		27		27		27		27		27		27
28		28		28		28		28		28		28		28		28		28		28		28		28
29		29		29		29		29		29		29		29		29		29		29		29		29
30		30		30		30		30		30		30		30		30		30		30		30		30
31		31		31		31		31		31		31		31		31		31		31		31		31
32		32		32		32		32		32		32		32		32		32		32		32		32
33		33		33		33		33		33		33		33		33		33		33		33		33
34	72	34		34	73	34		34		34		34		34		34		34		34		34		34
35		35		35		35		35		35		35		35		35		35		35		35		35
36		36		36		36		36		36		36		36		36		36		36		36		36
37		37		37	66	37	73	37	46	37	42	37	86	37		37	92	37	92	37	99	37	36	37
38		38		38		38	73 & 81	38	59 & 46	38		38	86 & 62	38		38		38		38	115, 99	38	83, 36	38
39		39		39		39	81	39	59	39		39	62	39		39		39		39	115	39	83	39
40		40		40		40	81	40	59	40		40	62	40		40		40		40	115	40	83	40
41		41		41		41	73	41	46	41		41	86	41	77 & 78	41		41		41	99	41	36	41
42	71 & 72	42		42		42		42		42		42		42		42		42		42		42		42
43	71 & 72	43		43		43		43		43		43		43		43		43		43		43		43
44		44		44		44		44		44		44		44		44		44		44		44		44
45		45		45		45		45		45		45		45		45		45		45		45		45
46		46		46		46		46		46		46		46		46		46		46		46		46
47		47		47		47		47		47		47		47		47		47		47		47		47

ROW
C

PIN LOCATOR

LOC	1	LOC	2	LOC	3	LOC	4	LOC	5	LOC	6	LOC	7	LOC	8	LOC	9	LOC	10	LOC	11	LOC	12	LOC	13		
PIN	PAGE	PIN	PAGE	PIN	PAGE	PIN	PAGE	PIN	PAGE	PIN	PAGE	PIN	PAGE	PIN	PAGE	PIN	PAGE	PIN	PAGE	PIN	PAGE	PIN	PAGE	PIN	PAGE		
1		1	67	1	85	1	85	1	82	1	83	1	83	1		1	98	1	98	1	93	1		1	98		
2		2	↓	2	↓	2	41	2	↓	2	↓	2	↓	2	2	98	2	98	2	↓	2	↓	2	↓	2	↓	
3	100	3	↓	3	↓	3	85	3	↓	3	↓	3	↓	3	3	96	3	112	3	↓	3	↓	3	↓	3	↓	
4	↓	4	↓	4	↓	4	↓	4	↓	4	↓	4	↓	4	4	↓	4	↓	4	↓	4	↓	4	↓	4	90	
5	↓	5	100	5	99	5	↓	5	↓	5	↓	5	↓	5	5	↓	5	↓	5	↓	5	38	5	↓	5	↓	
6	↓	6	↓	6	↓	6	↓	6	↓	6	↓	6	↓	6	6	↓	6	↓	6	↓	6	↓	6	38	6	↓	
7	↓	7	↓	7	↓	7	82 & 85	7	↓	7	↓	7	↓	7	7	98 & 106	7	98	7	90, 96, 98	7	↓	7	↓	7	↓	
8	↓	8	84	8	↓	8	85	8	84	8	99	8	84	8	106	8	↓	8	98	8	72	8	↓	8	↓		
9	↓	9	↓	9	↓	9	↓	9	↓	9	↓	9	↓	9	9	↓	9	↓	9	↓	9	72	9	↓	9	↓	
10	↓	10	↓	10	↓	10	↓	10	↓	10	↓	10	↓	10	10	↓	10	↓	10	↓	10	97	10	112	10	↓	
11	↓	11	↓	11	↓	11	82	11	↓	11	↓	11	↓	11	11	98	11	↓	11	96	11	97	11	98	11	↓	
12	↓	12	99	12	84	12	↓	12	↓	12	↓	12	↓	12	12	↓	12	↓	12	↓	12	93	12	↓	12	↓	
13	↓	13	↓	13	84	13	↓	13	↓	13	↓	13	↓	13	13	↓	13	↓	13	↓	13	93	13	↓	13	↓	
14	↓	14	↓	14	73	14	↓	14	↓	14	↓	14	↓	14	14	↓	14	↓	14	90	14	111	14	90	14	↓	
15	↓	15	↓	15	73	15	↓	15	82	15	83	15	83	15	↓	15	↓	15	↓	15	↓	15	111	15	97	15	↓
16	↓	16	100	16	84	16	↓	16	↓	16	↓	16	↓	16	16	↓	16	↓	16	↓	16	112	16	↓	16	97	
17	99	17	↓	17	↓	17	82 & 111	17	↓	17	↓	17	↓	17	17	38	17	↓	17	97	17	112	17	↓	17	↓	
18	↓	18	↓	18	↓	18	82	18	↓	18	↓	18	↓	18	18	↓	18	↓	18	↓	18	112	18	96	18	↓	
19	↓	19	67	19	99	19	↓	19	↓	19	↓	19	↓	19	19	↓	19	↓	19	↓	19	38	19	112	19	↓	
20	↓	20	↓	20	↓	20	↓	20	↓	20	↓	20	↓	20	20	↓	20	↓	20	↓	20	↓	20	↓	20	↓	
21	↓	21	↓	21	↓	21	↓	21	↓	21	↓	21	↓	21	21	↓	21	↓	21	↓	21	↓	21	↓	21	↓	
22	↓	22	114	22	41	22	114	22	↓	22	↓	22	↓	22	22	↓	22	↓	22	↓	22	83	22	↓	22	↓	
23	↓	23	↓	23	41	23	↓	23	↓	23	↓	23	↓	23	23	↓	23	↓	23	↓	23	↓	23	90 & 96	23	↓	
24	↓	24	↓	24	41	24	↓	24	↓	24	↓	24	↓	24	24	↓	24	↓	24	↓	24	↓	24	96	24	↓	
25	↓	25	100	25	99	25	↓	25	↓	25	↓	25	↓	25	25	↓	25	↓	25	↓	25	38	25	↓	25	↓	
26	100	26	↓	26	↓	26	85	26	↓	26	↓	26	↓	26	26	98	26	90	26	96	26	↓	26	↓	26	↓	
27	↓	27	↓	27	↓	27	↓	27	↓	27	↓	27	↓	27	27	↓	27	↓	27	↓	27	↓	27	↓	27	↓	
28	↓	28	↓	28	84	28	↓	28	84	28	84	28	99	28	↓	28	↓	28	↓	28	112	28	90	28	↓	28	↓
29	↓	29	↓	29	↓	29	↓	29	↓	29	↓	29	↓	29	29	↓	29	↓	29	↓	29	↓	29	↓	29	↓	
30	↓	30	↓	30	↓	30	↓	30	↓	30	↓	30	↓	30	30	↓	30	↓	30	↓	30	↓	30	↓	30	↓	
31	↓	31	84	31	111	31	↓	31	↓	31	↓	31	↓	31	31	↓	31	↓	31	↓	31	71	31	↓	31	↓	
32	↓	32	↓	32	111	32	↓	32	↓	32	↓	32	↓	32	32	↓	32	↓	32	↓	32	71	32	90 & 96	32	↓	
33	↓	33	↓	33	85	33	↓	33	↓	33	↓	33	↓	33	33	↓	33	↓	33	↓	33	90	33	98	33	↓	
34	↓	34	↓	34	85	34	↓	34	↓	34	↓	34	↓	34	34	93	34	↓	34	↓	34	70	34	↓	34	↓	
35	↓	35	99	35	111	35	↓	35	82	35	83	35	83	35	↓	35	↓	35	↓	35	112	35	↓	35	↓		
36	↓	36	84	36	85	36	↓	36	↓	36	↓	36	↓	36	36	↓	36	↓	36	↓	36	70	36	↓	36	↓	
37	↓	37	84	37	85	37	↓	37	↓	37	↓	37	↓	37	37	↓	37	↓	37	↓	37	90	37	↓	37	↓	
38	↓	38	99	38	111	38	↓	38	↓	38	↓	38	↓	38	38	↓	38	↓	38	↓	38	112	38	↓	38	↓	
39	↓	39	84	39	84	39	↓	39	↓	39	↓	39	↓	39	39	↓	39	↓	39	↓	39	98	39	↓	39	↓	
40	↓	40	99	40	85	40	↓	40	↓	40	↓	40	↓	40	40	↓	40	↓	40	↓	40	96	40	↓	40	↓	
41	↓	41	99	41	85	41	↓	41	↓	41	↓	41	↓	41	41	↓	41	↓	41	↓	41	96	41	↓	41	↓	
42	↓	42	84	42	84	42	↓	42	↓	42	↓	42	↓	42	42	↓	42	↓	42	↓	42	98	42	↓	42	↓	
43	↓	43	67	43	↓	43	↓	43	↓	43	↓	43	↓	43	43	↓	43	↓	43	↓	43	↓	43	↓	43	↓	
44	↓	44	↓	44	↓	44	↓	44	↓	44	↓	44	↓	44	44	↓	44	↓	44	↓	44	↓	44	↓	44	↓	
45	↓	45	↓	45	↓	45	↓	45	↓	45	↓	45	↓	45	45	↓	45	↓	45	↓	45	↓	45	↓	45	↓	
46	↓	46	↓	46	↓	46	↓	46	↓	46	↓	46	↓	46	46	↓	46	↓	46	↓	46	↓	46	↓	46	↓	
47	↓	47	↓	47	↓	47	↓	47	↓	47	↓	47	↓	47	47	↓	47	↓	47	↓	47	↓	47	↓	47	↓	

ROW
D

PIN LOCATOR

LOC	14	LOC	15	LOC	16	LOC	17	LOC	18	LOC	19	LOC	20	LOC	21	LOC	22	LOC	23	LOC	24	LOC	25	LOC
PIN	PAGE	PIN	PAGE	PIN	PAGE	PIN	PAGE	PIN	PAGE	PIN	PAGE	PIN	PAGE	PIN	PAGE	PIN	PAGE	PIN	PAGE	PIN	PAGE	PIN	PAGE	
1	109	1	105	1		1	105	1	105	1	37	1		1	102	1		1		1		1		
2		2		2		2	105	2	104	2		2		2		2	102	2		2		2		
3		3		3	103	3	103	3	105	3	102	3	102	3		3		3		3	102	3		
4		4		4		4		4		4		4		4		4		4		4		4		
5		5	110	5		5		5		5		5		5		5		5		5		5		
6		6		6		6		6		6		6		6		6		6		6		6		
7		7		7	104	7	104	7	104	7		7		7		7		7		7		7		
8		8	77	8		8		8		8		8		8	104	8		8		8		8		
9		9	77	9		9		9		9		9		9		9		9		9		9		
10		10	103	10		10		10		10		10		10		10		10		10		10		
11		11	103	11		11		11		11		11		11	102, 104	11		11		11		11		
12		12	110	12		12		12		12		12		12	102	12		12		12		12		
13		13	110	13		13		13		13		13		13		13		13		13		13		
14		14	105	14		14		14		14		14		14		14		14		14		14		
15		15	105	15		15		15		15		15		15		15		15		15		15		
16		16	110	16		16		16		16		16		16		16		16		16		16		
17		17		17	103	17	103	17	105	17	105	17		17		17	104	17		17		17		
18		18		18		18		18		18		18		18		18		18		18		18		
19		19	64	19		19		19		19		19		19		19		19	105	19		19		
20		20		20		20		20		20		20		20		20		20		20		20		
21	106 & 109	21		21		21		21		21		21		21	102 & 103	21		21		21		21		
22	106	22	29	22		22		22		22		22		22	104	22		22		22		22		
23		23		23		23		23		23		23		23		23		23		23		23		
24		24		24		24		24		24		24		24		24		24		24		24		
25		25	81	25		25		25		25		25		25		25		25		25		25		
26		26		26		26		26		26		26	95	26		26	102	26		26		26		
27		27		27		27		27		27		27		27		27		27		27		27		
28	107	28	42	28		28		28		28		28		28		28		28		28		28		
29		29		29		29		29		29		29		29		29		29		29		29		
30		30		30		30		30		30		30		30		30		30		30		30		
31		31	64	31		31		31		31		31	102	31		31		31		31		31		
32		32	64	32		32		32		32		32		32		32		32		32		32		
33		33	103	33		33		33		33		33		33		33		33	104	33		33		
34		34	21	34	64	34	110	34	104	34	102	34		34		34		34		34	104	34		
35	106	35	105	35	81	35		35		35		35		35		35		35		35		35		
36		36	21	36		36		36		36		36		36		36		36		36		36		
37		37	103	37		37		37		37		37		37		37		37		37		37		
38		38	105	38	64	38		38		38		38		38		38		38		38		38		
39		39		39		39		39		39		39		39		39		39		39		39		
40		40		40		40		40		40		40		40		40		40		40		40		
41		41		41		41		41		41		41		41		41		41		41		41		
42		42		42		42		42		42		42		42		42		42		42		42		
43		43	21	43		43		43		43		43		43		43		43		43		43		
44		44		44		44		44		44		44		44		44		44		44		44		
45		45		45		45		45		45		45		45		45		45		45		45		
46		46		46		46		46		46		46		46		46		46		46		46		
47		47		47		47		47		47		47		47		47		47		47		47		

ROW
E

PIN LOCATOR

LOC	1	LOC	2	LOC	3	LOC	4	LOC	5	LOC	6	LOC	7	LOC	8	LOC	9	LOC	10	LOC	11	LOC	12	LOC	13
PIN	PAGE	PIN	PAGE	PIN	PAGE	PIN	PAGE	PIN	PAGE	PIN	PAGE	PIN	PAGE	PIN	PAGE	PIN	PAGE	PIN	PAGE	PIN	PAGE	PIN	PAGE	PIN	PAGE
1	114	1	64	1	99	1	110	1	114	1	38	1	18	1	26	1	33	1	31	1	21	1	26	1	30
2		2		2	112	2		2	110	2		2		2		2	26	2		2		2	21	2	
3		3		3	110	3		3	64	3		3		3		3		3		3		3		3	
4		4		4		4		4		4		4		4		4		4		4		4		4	
5		5		5		5	112	5		5		5		5		5		5		5		5		5	
6		6		6		6		6		6		6		6		6	33	6		6		6		6	
7		7		7	111, 112, 114	7		7	111	7		7		7		7	26	7		7		7	21	7	
8		8		8	111	8	115	8		8	33	8	38	8		8		8		8		8		8	
9		9		9		9	115	9		9	33	9		9		9		9		9		9		9	
10		10		10		10		10		10	111	10		10		10	33	10		10		10		10	
11		11		11	114	11		11		11	111	11	38 & 99	11		11	31	11		11	25 & 21	11	21	11	
12		12		12		12	111	12		12	19	12	99	12		12		12		12		12		12	
13		13		13		13	111	13		13	19	13		13		13		13		13		13		13	
14		14		14	112	14	115	14		14	33	14		14		14	33	14		14		14	16	14	
15		15		15		15		15		15	33	15	18	15		15	19	15		15	21	15	21	15	
16		16		16		16		16		16	112	16		16		16		16		16		16		16	
17		17		17	110	17		17	111 & 42	17	112	17		17		17		17		17		17		17	
18		18		18		18		18	42	18	112	18		18		18		18		18		18	22	18	
19		19		19		19	110	19		19	111	19		19		19	26	19		19		19		19	
20		20		20		20		20		20		20		20		20		20		20		20		20	
21		21		21		21		21		21		21		21		21		21		21		21		21	
22		22		22		22	114	22	111	22		22		22		22		22		22		22		22	
23		23		23		23		23		23		23		23		23	19	23		23		23	21	23	
24		24		24		24		24		24		24		24		24		24		24		24		24	
25		25		25		25	110	25		25	99	25		25		25		25		25		25		25	
26		26		26	111	26		26		26		26		26		26		26		26		26		26	
27		27		27		27		27		27		27		27		27		27		27		27		27	
28		28		28		28		28		28		28	33	28	22	28		28		28	25	28		28	25
29		29		29		29		29		29		29		29		29		29		29		29		29	
30		30		30		30		30		30		30		30		30		30		30		30		30	
31		31		31		31	115	31		31	33	31		31	22 & 113	31		31		31		31		31	
32		32		32		32	115	32		32	33	32		32	113	32		32		32		32		32	
33		33		33		33	99	33		33	111	33		33		33		33		33		33		33	
34		34		34	99, 111	34	115	34		34	33	34		34		34		34		34		34		34	
35		35		35		35	110	35		35		35	18	35	26	35		35		35	21	35		35	30
36		36		36		36	115	36		36		36		36		36		36		36		36		36	
37		37		37		37	99	37		37	111	37		37		37		37		37		37		37	
38		38		38	64	38	110	38		38	33	38		38		38		38		38		38		38	
39		39		39		39	110	39		39		39		39		39		39		39		39		39	
40		40		40		40	111	40		40		40		40		40		40		40		40		40	
41		41		41	111	41	111	41		41		41		41		41		41		41		41		41	
42		42		42		42	110	42		42		42		42		42		42		42		42		42	
43		43		43		43	110	43		43	32	43		43		43		43		43		43		43	
44		44		44		44		44		44		44		44		44		44		44		44		44	
45		45		45		45		45		45		45		45		45		45		45		45		45	
46		46		46		46		46		46		46		46		46		46		46		46		46	
47		47		47		47		47		47		47		47		47		47		47		47		47	

ROW
F

PIN LOCATOR

LOC	14	LOC	15	LOC	16	LOC	17	LOC	18	LOC	19	LOC	20	LOC	21	LOC	22	LOC	23	LOC	24	LOC	25	LOC
PIN	PAGE	PIN	PAGE	PIN	PAGE	PIN	PAGE	PIN	PAGE	PIN	PAGE	PIN	PAGE	PIN	PAGE	PIN	PAGE	PIN	PAGE	PIN	PAGE	PIN	PAGE	
1	22	1	25	1		1	29	1	32	1	32	1	23	1	23	1	26	1	28	1	27	1	24	1
2		2		2	21, 25	2		2	32	2		2		2		2		2		2		2		2
3		3		3	25	3		3	29	3		3		3		3		3		3		3		3
4		4		4		4		4		4		4	16	4	17	4	28	4		4		4		4
5		5		5		5		5		5	37	5		5		5		5		5		5		5
6		6		6	1	6		6		6		6		6		6		6		6		6		6
7		7		7	21	7		7		7		7		7		7		7		7		7		7
8		8		8		8	30	8		8	64	8		8		8		8		8		8	32	8
9		9		9		9	30	9		9	64	9		9		9		9		9		9		9
10		10		10	1	10	30	10		10	32	10		10		10		10		10	40	10		10
11		11		11	19	11	29, 30	11		11	32	11		11		11		11	28 & 114	11	22	11	32	11
12		12		12		12	29	12		12	32	12		12		12		12	114	12	22	12	32	12
13		13		13		13		13		13		13		13		13		13		13		13		13
14		14		14		14		14		14		14		14		14		14		14		14		14
15		15		15		15		15		15		15		15		15		15	28	15	27	15	24	15
16		16		16		16		16		16	19	16		16		16	23	16		16		16		16
17		17		17		17		17	20	17		17		17		17		17		17		17		17
18		18		18	1	18		18		18		18		18		18		18		18		18		18
19		19		19	26	19		19		19	16	19		19		19		19		19		19		19
20		20		20		20		20		20		20		20		20		20		20		20		20
21		21		21		21	20 & 29	21		21		21		21		21		21		21		21		21
22		22		22		22	20	22		22	37	22	32	22		22		22		22		22		22
23		23		23	19	23		23		23		23		23		23		23		23		23		23
24		24		24		24		24		24		24		24		24		24		24		24		24
25		25		25		25		25		25	16	25		25		25		25		25		25		25
26		26		26		26	29	26		26		26	16	26		26	17 & 23	26		26		26		26
27		27		27		27		27		27		27		27		27	17	27		27		27		27
28		28		28		28		28		28	32	28		28		28	17	28		28		28		28
29		29		29		29		29		29		29		29		29	17 & 23	29		29		29		29
30		30		30		30		30		30		30		30		30	17	30		30		30		30
31		31		31		31		31		31	111	31		31		31		31		31		31		31
32		32		32		32		32		32	111	32	16 & 32	32		32		32		32		32		32
33		33		33	20	33		33		33	16	33		33		33		33		33		33		33
34		34		34		34	20	34		34	37	34		34		34		34		34		34		34
35		35		35		35		35		35	32	35		35		35		35		35		35		35
36		36		36		36		36		36	32	36		36		36		36		36		36		36
37		37		37		37		37		37	16	37		37	17	37	28	37		37		37		37
38		38		38		38		38		38	37	38		38		38		38		38		38		38
39		39		39		39		39		39		39	23	39	23	39		39		39		39		39
40		40		40		40		40		40		40	23	40	23	40		40		40		40		40
41		41		41		41		41		41		41		41		41		41		41		41		41
42		42		42		42		42		42		42		42		42		42		42		42		42
43		43		43		43		43		43	114	43		43		43		43		43		43		43
44		44		44		44		44		44		44		44		44		44		44		44		44
45		45		45		45		45		45		45		45		45		45		45		45		45
46		46		46		46		46		46		46		46		46		46		46		46		46
47		47		47		47		47		47		47		47		47		47		47		47		47

ROW
F

920 MODULE LOCATION CHART

	1	2	3	4	5	6	7	8	9	10	11	12	13	14	15	16	17	18	19	20	21	22	23	24	25	
A	GO			Cp	Ex									S1		S3		S5		S7		S9	S11		S13	A
	FK52	GK52	GK51	FK52	FK52	GK51	GK51	IK51	GK51	GK51	IK51	GK51	GK51	FK52	GK51	FK52	GK52	FK52	GK51	FK52	GK51	FK52	FK52	GK51	FK52	A
	Ht			C24	la									S2		S4		S6		S8		S10	S12		S14	
B	Q1	Q3	Q5											P1	P3		P5		P7		P9		P11		P13	B
	FK52	FK52	FK52	GK51	IK51	GK51	IK51	IK51	GK51	GK51	IK51	GK51	GK51	FK51	FK51	IK52	FK51	IK52	FK51	IK52	FK51	IK52	FK51	IK52	FK51	B
C	Q2	Q4	Q6											P2	P4		P6		P8		P10		P12		P14	
	"Y"	F1		F2							C0		C2		C4	C6	C8	C10	C12	C14		C16	C18	C20	C22	C
	BUFF	FK52	GK51	FK52	GK51	IK51	GK51	GK52	GK51	GK51	FK51	IK52	FK51	IK52	FK51	FK51	FK51	FK51	FK51	FK51	FK51	IK52	FK51	FK51	FK51	C
D	P9	F3		Rf							C1		C3		C5	C7	C9	C11	C13	C15		C17	C19	C21	C23	
					O1	O3	O5						Xn			Br			Be	Ae			Ar			D
	GK51	IK51	IK51	GK51	FK52	FK52	FK52	GK51	GK51	GK51	IK51	GK52	FK51	DK51	DK51	FK51	DK51	DK51	FK52	FK52	GK51	GK52	FK51	DK51	DK51	D
E					O2	O4	O6						Xw			Bw			Bn	An			Aw			
	D1	D3	D5		lx									Sk								Cz				E
	FK52	FK52	FK52	GK51	FK52	GK51	GK51	IK51	GK51	GK51	GK51	GK51	GK51	FK52	IK51	GK51	GK51	GK51	GK51	GK51	FK52	GK51	CK53	GK51	CK54	E
F	D2	D4	D6		po									En								Cf				
	Tsm	Ts					W13	W12		W11	W10		W9	W4	W7		Wf					Wn	R1	R2	R3	F
	FK52	FK52	GK51	IK51	GK51	IK51	FK52	FK52	GK52	FK52	FK52	GK52	FK52	FK52	FK52	GK52	FK52	GK51	IK51	DK51	DK51	FK51	FK52	FK52	FK52	F
G	Int	Wp					W14	We		Wo	Wn		W6	W5	W8		Rp					Ww	R6	R5	R4	
		CONTROL PANEL		POT	EOM	INT. LACE	AUX	AUX	AUX	AUX	MAG TAPE	PIN	PRI INT	INTERRUPT LOGIC	PHOTO RDR	PHOTO RDR AMP	PHOTO	RDR	LOGIC			AUTO ST LOGIC	AUTO ST	INT LACE		G
P1	P2	P3	P10	P10	P14	P6	P6	P6	P6	P14	P15	P8	SK55 1 & 2	SK55 3 & 4	P4	HK54	IK53	RK51	SK56	GK51	IK51	SK55		P12	P15	

910 } Parallel Output 5G
 920 }

910 6G
 920 6G
 Interlace Wired

Pin	Logic	Conn Circuit	Pin	Logic	Conn Circuit
1	Pot 1	(bead)	25	(C5)	(bead)
2	Pot 2	"	26	(C6)	"
3	Ioc	"	27	(C7)	"
4	Buc	"	28	(C8)	"
5	Sys	(bead)	29	(C9)	"
6	Eom		30	(C10)	"
7	Q1		31	(C11)	"
8	Q2		32	(C12)	"
9			33	(C13)	"
10			34	(C14)	"
11			35	(C15)	"
12			36	(C16)	"
13			37	(C17)	"
14	\overline{Sio}	(short)	38	(C18)	"
15	\overline{Ssc}	"	39	(C19)	"
16	\overline{Rt}	"	40	(C20)	"
17	\overline{St}	(short)	41	(C21)	"
18	$\overline{C17}$		42	(C22)	"
19		(bead)	43	(C23)	(bead)
20	(Co)	"	44	+ 0V	(short)
21	(C1)	"	45	+ 8V	"
22	(C2)	"	46	-25V	"
23	(C3)	"	47	+25V	(short)
24	(C4)	(bead)			

Pin	Logic	Conn Circuit	Pin	Logic	Conn Circuit
1	Pot 1	(bead)	25	(C5)	(bead)
2	Pot 2	"	26	(C6)	"
3	Ioc	"	27	(C7)	"
4	Buc	"	28	(C8)	"
5	Sys	(bead)	29	(C9)	"
6	Eom	(short)	30	(C10)	"
7	Q1	"	31	(C11)	"
8	Q2	"	32	(C12)	"
9	W9	"	33	(C13)	"
10	Y9	(short)	34	(C14)	"
11	\overline{Ewf}	DIODE	35	(C15)	"
12	Rf	SHORT	36	(C16)	"
13			37	(C17)	"
14	\overline{Sio}	(short)	38	(C18)	"
15	\overline{Ssc}	"	39	(C19)	"
16	\overline{Rt}	8.2k Pull up	40	(C20)	"
17	\overline{St}	(short)	41	(C21)	"
18	$\overline{C17}$	(short)	42	(C22)	"
19	(Cp)	(bead)	43	(C23)	(bead)
20	(Co)	"	44	+ 0V	(short)
21	(C1)	"	45	+ 8V	"
22	(C2)	"	46	-25V	"
23	(C3)	"	47	+25V	(short)
24	(C4)	"			

Key = 6-20

Key = 6-20

910 25G
 920 25G
 Interlace Wired

CONNECTOR 28N
 PRIORITY INTERRUPT

Pin	Logic	Conn Circuit	Pin	Logic	Conn Circuit
1	\overline{Tsm}	(bead)	25	\overline{Hsw}	DIODE
2	Wp	"	26	\overline{Hsy}	DIODE
3	\overline{Wp}	"	27	\overline{Iwf}	
4	Wh	"	28		
5	Yh	(bead)	29	Iwf	(short)
6	\overline{Iw}	(short)	30	$\overline{Iw10}$	"
7	$\overline{Iw} \overline{Ew}$	"	31	$\overline{Iw11}$	"
8	\overline{Iy}	"	32	$\overline{Iw12}$	"
9	$\overline{Iy} \overline{Ey}$	"	33	$\overline{Iw13}$	"
10	$\overline{Iy10}$	(short)	34	$\overline{Iw14}$	"
11	$\overline{Iy11}$	"	35	$\overline{Iw15}$	"
12	$\overline{Iy12}$	"	36	$\overline{Iw16}$	"
13	$\overline{Iy13}$	"	37	$\overline{Iw17}$	"
14	$\overline{Iy14}$	"	38	$\overline{Iw18}$	"
15	$\overline{Iy15}$	"	39	$\overline{Iw19}$	"
16	$\overline{Iy16}$	"	40	$\overline{Iw20}$	"
17	$\overline{Iy17}$	"	41	$\overline{Iw21}$	"
18	$\overline{Iy18}$	"	42	$\overline{Iw22}$	"
19	$\overline{Iy19}$	"	43	$\overline{Iw23}$	"
20	$\overline{Iy20}$	"	44	+ 0V	"
21	$\overline{Iy21}$	"	45	+ 8V	"
22	$\overline{Iy22}$	"	46	-25V	"
23	$\overline{Iy23}$	"	47	+25V	(short)
24	\overline{Iyf}	(short)			

Key = 6-18

Pin	Logic	Conn Circuit	Pin	Logic	Conn Circuit
1			25		
2			26	\overline{Ir}	Short
3			27		
4			28		
5			29	$\overline{N9}$	Short
6			30	$\overline{N10}$	"
7			31	$\overline{N11}$	"
8			32	$\overline{N12}$	"
9			33	$\overline{N13}$	"
10			34	$\overline{N14}$	"
11			35	$\pi \overline{ip36}$	"
12			36	$\pi \overline{is36}$	"
13			37	(T22-T17)*	"
14			38	Ib*	"
15	$\overline{N5}$	Short	39	(Int F1 T22-T17)*	Short
16	$\overline{N6}$	"	40		
17	$\overline{N7}$	"	41		
18	$\overline{N8}$	"	42		
19			43		
20			44	+ 0	Short
21			45	+ 8	"
22			46	-25	"
23	\overline{St}	Short	47	+25	"
24	\overline{Ix}	"			

Key = 6-14

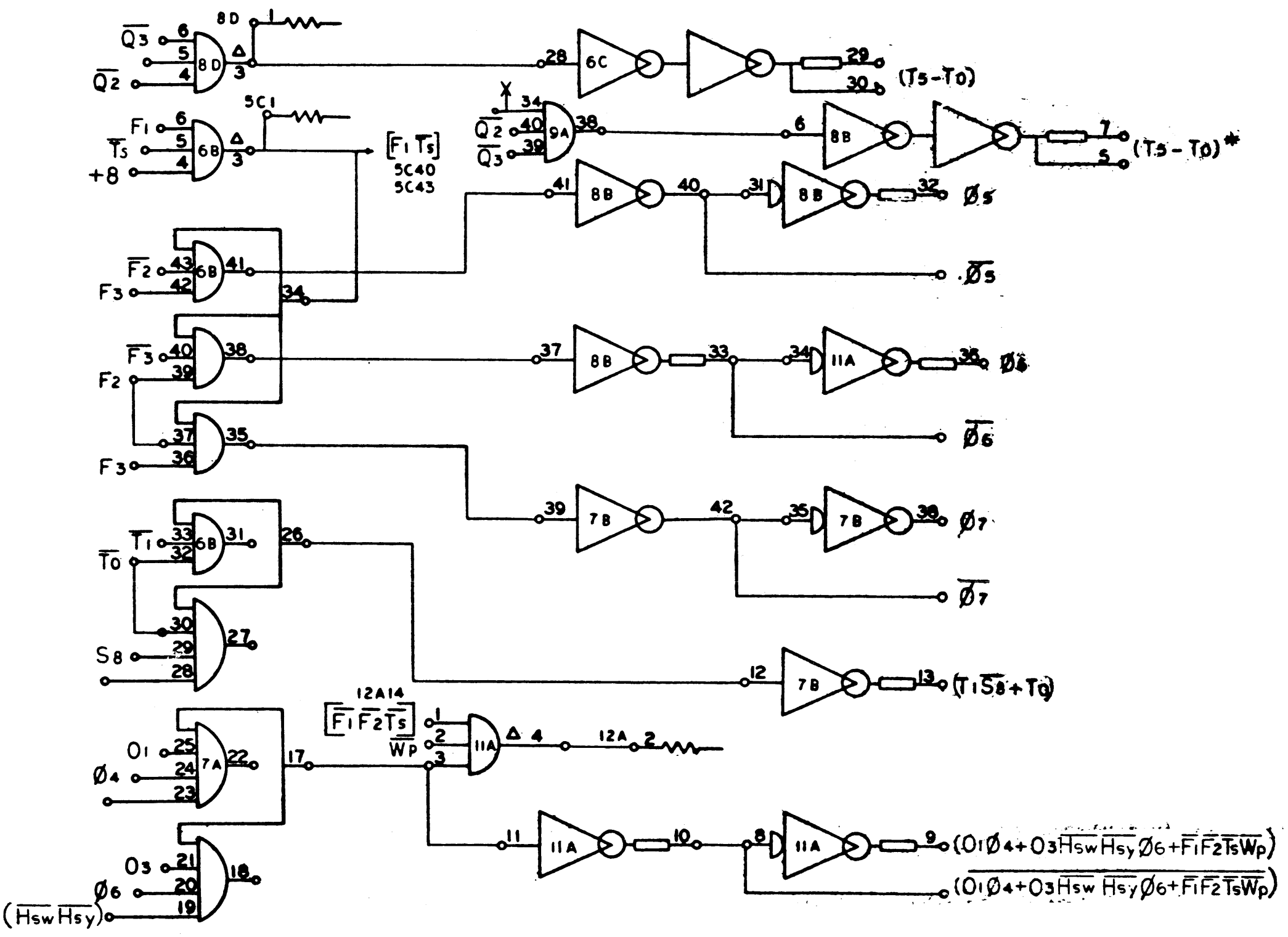
OA or OOA	LOGIC	OA or OOA	LOGIC
1	M1	26	Memory Disable
2	M2	27	Me
3	M3	28	$\overline{W9}$
4	M4	29	$\overline{Y9}$
5	M5	30	($\overline{02}$ $\overline{03}$ ϕ_0 $\overline{1a}$)
6	M6	31	S1
7	M7	32	S2
8	M8	33	S3
9	M9	34	S4
10	M10	35	S5
11	M11	36	S6
12	M12	37	S7
13	M13	38	S8
14	M14	39	S9
15	M15	40	S10
16	M16	41	S11
17	M17	42	S12
18	M18	43	S13
19	M19	44	S14
20	M20	45	Ts
21	M21	46	$\overline{T_s}$
22	M22	47	Wp
23	M23	48	\overline{Wp}
24	M24	49	Tsm
25	MO	50	\overline{Tsm}
		51	T24

OB or OOB	LOGIC	OB or OOB	LOGIC
1	C1	26	Mc
2	C2	27	Tsm \overline{Wp}
3	C3	28	Tsm Wp
4	C4	29	Q1
5	C5	30	\overline{Sf}
6	C6	31	Q2
7	C7	32	Mg
8	C8	33	$\overline{Q3}$
9	C9	34	Q4
10	C10	35	Q5
11	C11	36	$\overline{Q5}$
12	C12	37	Tp
13	C13	38	O5
14	C14	39	Po
15	C15	40	ϕ_4
16	C16	41	
17	C17	42	(T5-To)
18	C18	43	F3°
19	C19	44	$\overline{06}^\circ$
20	C20	45	$\overline{Q4}^\circ$
21	C21	46	Margin Cur. Reg.
22	C22	47	Margin Voltage Reg.
23	C23	48	
24	C24	49	
25	CO	50	Clock
		51	Clock

OC or OOC	LOGIC	OC or OOC	LOGIC
1	Rf*	26	
2	(Tsm + Rf)	27	
3	(F1+F2F3 +Tsm*Iwf)	28	
4	Cxi	29	
5	Iwf	30	Iw10
6		31	Iw11
7		32	Iw12
8		33	Iw13
9		34	Iw14
10	Iy10	35	Iw15
11	Iy11	36	Iw16
12	Iy12	37	Iw17
13	Iy13	38	Iw18
14	Iy14	39	Iw19
15	Iy15	40	Iw20
16	Iy16	41	Iw21
17	Iy17	42	Iw22
18	Iy18	43	Iw23
19	Iy19	44	B Clock
20	Iy20	45	R Clock
21	Iy21	46	+ 18
22	Iy22	47	+ 18
23	Iy23	48	+ 18
24		49	+ 15
25		50	- 15
		51	+ 50

Pin	Logic	Conn Circuit	Pin	Logic	Conn Circuit
1	Buc	Short	25	Y9 Y10 Y11 Y12 Y13 Y14	Short
2	Ioc		26	Sio	
3	Yx		27	St	
4	Yx		28	C12	
5	(T22-T17)		29	C13	
6	(T5-T0)		30	C14	
7	T0		31	C15	
8	Tp		32	C16	
9	T24		33	C17	
10	(En + En)		34	C18	
11	Q2		35	C19	
12	(Tp T24)*		36	C20	
13	Y9		37	C21	
14	C23**		38	C22	
15	Yh		39	C23	
16	Tsy		40	C20	
17	Yf (Y0 + Y9)		41	C23	
18	Ye		42	Clock, Black	
19	Yn		43	Clock, red	Short
20	I1y		44	+ 0V	
21	I2y		45	+ 8V	
22	Iy		46	-25	
23	Iy Ey		47	+25V	
24	Iyf	Short			

Key = 6-24



PAGE	CHG	PAGE	CHG	PAGE	CHG	PAGE	CHG	PAGE	CHG
1	E								
2	B								
3	A								
4	A								
5	A								
6	A								
7	A								
8	A								
9	A								
10	A								
11	B								
12	A								
13	A								
14	A								
15	C								
16	A								
17	A								
18	A								
19	E								
20	A								
21	A								
22	C								
23	A								
24	A								
25	A								
26	C								
27	D								
28	A								
29	A								
30	A								
31	A								
32	A								
33	A								
34	B								
35	E								

104337 PAGE	REPLACES 101701 PAGE
2	1
3	29
4	30
5	36
6	40
7	41
8	52
9	58
10	64
11	66
12	67
13	83
14	99
15	110
16	111
17	112
18	114
19	

104337 PAGE	REPLACES 101701 PAGE
20	139
21	141
22	143
23	145
24	146
25	147
26	150
27	151
28	152
29	153
30	164
31	168
32	169
33	170
34	44
35	16

THIS DWG REPLACES IN PART, DWG 101701, WHEN A 920 COMPUTER IS USED IN CONJUNCTION WITH A 9149 HIGH SPEED INTERLACE. THE PAGES OF THIS DWG. REPLACE PAGES OF 101701 AS INDICATED ABOVE:

NOTES:

1. REV. LETTERS LISTED INDICATE STATUS OF EACH SHEET OF THIS MULTIPLE SHEET DRAWING.
2. CHECK INDIVIDUAL SHEETS FOR REVISION LETTER AGAINST THIS SHEET BEFORE USING THIS DRAWING.

REFERENCE DESIGNATIONS ARE ABBREVIATED.
 PREFIX THE DESIGNATION WITH UNIT NUMBER
 OR ASSEMBLY DESIGNATION OR BOTH.
 (MIL. STD. 16B)

PIN LOCATOR

LOC	14	LOC	15	LOC	16	LOC	17	LOC	18	LOC	19	LOC	20	LOC	21	LOC	22	LOC	23	LOC	24	LOC	25	LOC	
PIN	PAGE	PIN	PAGE	PIN	PAGE	PIN	PAGE	PIN	PAGE	PIN	PAGE	PIN	PAGE	PIN	PAGE	PIN	PAGE	PIN	PAGE	PIN	PAGE	PIN	PAGE	PIN	PAGE
1		1		1		1		1		1		1		1	64	1	64	1		1		1		1	
2		2		2		2		2		2		2		2	114	2		2		2		2		2	
3		3		3		3		3		3		3		3		3		3		3		3		3	
4		4		4		4		4		4		4		4		4		4		4		4		4	
5		5		5		5		5		5		5		5		5	1	5		5		5		5	
6		6		6		6		6		6		6		6		6	1	6		6		6		6	
7		7		7		7		7		7		7		7	1	7	1	7		7		7		7	
8		8		8		8		8		8		8		8		8	35	8		8		8		8	
9		9		9		9		9		9		9		9		9	35	9		9		9		9	
10		10		10		10		10		10		10		10		10	64	10		10		10		10	
11		11		11		11		11		11		11		11		11	64	11		11		11		11	
12		12		12		12		12		12		12		12		12	114	12		12		12		12	
13		13		13		13		13		13		13		13		13	114	13		13		13		13	
14		14		14		14		14		14		14		14		14	114	14		14		14		14	
15		15		15		15		15		15		15		15		15	114	15		15		15		15	
16		16		16		16		16		16		16		16		16	110	16		16		16		16	
17		17		17		17		17	114	17		17		17	110	17		17		17		17		17	
18		18		18		18		18	114	18		18		18		18		18		18		18		18	
19		19		19		19		19	114	19		19		19		19		19		19		19		19	
20		20		20		20		20	114	20		20		20		20		20		20		20		20	
21		21		21		21		21		21		21		21		21		21		21		21		21	
22		22		22		22		22		22		22		22		22	114	22		22		22		22	
23		23		23		23		23		23		23		23		23	114	23		23		23		23	
24		24		24		24		24		24		24		24		24	114	24		24		24		24	
25		25		25		25		25		25		25		25		25		25		25		25		25	
26		26		26		26		26		26		26		26		26		26		26		26		26	
27		27		27		27		27		27		27		27		27		27		27		27		27	
28		28		28		28		28		28		28		28		28	40	28		28		28		28	
29		29		29		29		29		29		29		29		29	40	29		29		29		29	
30		30		30		30		30		30		30		30		30	40	30		30		30		30	
31		31		31		31		31		31		31		31		31	66	31		31		31		31	
32		32		32		32		32		32		32		32		32	66	32		32		32		32	
33		33		33		33		33		33		33		33		33	114	33		33		33		33	
34		34		34		34		34		34		34		34	40	34		34		34		34		34	
35		35		35		35		35		35		35		35		35		35		35		35		35	
36		36		36		36		36		36		36		36		36		36		36		36		36	
37		37		37		37		37		37		37		37		37		37		37		37		37	
38		38		38		38		38		38		38		38		38		38		38		38		38	
39		39		39		39		39		39		39		39		39	40	39		39		39		39	
40		40		40		40		40		40		40		40		40	40	40		40		40		40	
41		41		41		41		41		41		41		41		41	40	41		41		41		41	
42		42		42		42		42		42		42		42		42	40	42		42		42		42	
43		43		43		43		43		43		43		43		43	114	43		43		43		43	
44		44		44		44		44		44		44		44		44		44		44		44		44	
45		45		45		45		45		45		45		45		45		45		45		45		45	
46		46		46		46		46		46		46		46		46		46		46		46		46	
47		47		47		47		47		47		47		47		47		47		47		47		47	

ROW
G

PIN LOCATOR

LOC	26	LOC	27	LOC	28	LOC	29	LOC	30	LOC	31	LOC	32	LOC	33	LOC	34	LOC	35	LOC	36	LOC	37	LOC	38
PIN	PAGE	PIN	PAGE	PIN	PAGE	PIN	PAGE	PIN	PAGE	PIN	PAGE	PIN	PAGE	PIN	PAGE	PIN	PAGE	PIN	PAGE	PIN	PAGE	PIN	PAGE	PIN	PAGE
1		1	135	1		1	135	1		1		1		1		1		1		1		1		1	133
2		2	135	2		2	135	2		2		2		2		2		2		2		2		2	
3		3	135	3		3		3		3		3		3		3		3		3		3		3	
4		4		4		4		4		4		4		4		4		4		4		4		4	133
5		5		5		5		5		5		5		5		5		5		5		5		5	
6		6		6		6	135	6		6		6		6		6		6		6		6		6	133
7		7		7		7		7	117	7	121	7	118	7	122	7	119	7	123	7	120	7	124	7	
8		8		8		8		8		8		8		8		8		8		8		8		8	
9		9		9		9	135	9		9		9		9		9		9		9		9		9	
10		10		10		10	135	10		10		10		10		10		10		10		10		10	
11		11		11		11		11		11		11		11		11		11		11		11		11	
12		12		12		12		12		12		12		12		12		12		12		12		12	
13		13		13		13		13		13		13		13		13		13		13		13		13	
14		14		14		14	135	14		14		14		14		14		14		14		14		14	
15		15		15		15		15		15		15		15		15		15		15		15		15	
16		16		16		16	135	16	117	16	121	16	118	16	122	16	119	16	123	16	120	16	124	16	
17		17		17		17		17		17		17		17		17		17		17		17		17	133
18		18		18		18	135	18	117	18	121	18	118	18	122	18	119	18	123	18	120	18	124	18	
19		19		19		19		19		19		19		19		19		19		19		19		19	
20		20		20		20	135	20	117	20	121	20	118	20	122	20	119	20	123	20	120	20	124	20	
21		21		21		21		21		21		21		21		21		21		21		21		21	
22		22		22		22	135	22	117	22	121	22	118	22	122	22	119	22	123	22	120	22	124	22	
23		23		23		23		23		23		23		23		23		23		23		23		23	
24		24		24		24		24	117	24	121	24	118	24	122	24	119	24	123	24	120	24	124	24	
25		25		25		25		25		25		25		25		25		25		25		25		25	
26		26		26		26		26	117	26	121	26	118	26	122	26	119	26	123	26	120	26	124	26	
27		27		27		27		27	117	27	121	27	118	27	122	27	119	27	123	27	120	27	124	27	133
28		28		28		28		28	117	28	121	28	118	28	122	28	119	28	123	28	120	28	124	28	133
29		29		29		29		29		29		29		29		29		29		29		29		29	
30		30		30		30		30	117	30	121	30	118	30	122	30	119	30	123	30	120	30	124	30	
31		31		31		31		31		31		31		31		31		31		31		31		31	
32		32		32		32		32	117	32	121	32	118	32	122	32	119	32	123	32	120	32	124	32	
33		33		33		33		33		33		33		33		33		33		33		33		33	
34		34		34		34		34		34		34		34		34		34		34		34		34	
35		35		35		35	135	35		35		35		35		35		35		35		35		35	
36		36	135	36		36	135	36		36		36		36		36		36		36		36		36	
37		37		37		37		37		37		37		37		37		37		37		37		37	
38		38		38		38		38		38		38		38		38		38		38		38		38	
39		39		39		39		39		39		39		39		39		39		39		39		39	
40		40	135	40		40		40		40		40		40		40		40		40		40		40	
41		41		41		41		41		41		41		41		41		41		41		41		41	
42		42		42		42		42	117	42	121	42	118	42	122	42	119	42	123	42	120	42	124	42	
43		43	135	43		43		43	117	43	121	43	118	43	122	43	119	43	123	43	120	43	124	43	
44		44		44		44		44		44		44		44		44		44		44		44		44	
45		45		45		45		45		45		45		45		45		45		45		45		45	
46		46		46		46		46		46		46		46		46		46		46		46		46	
47		47		47		47		47		47		47		47		47		47		47		47		47	

ROW
B

PIN LOCATOR

LOC	26	LOC	27	LOC	28	LOC	29	LOC	30	LOC	31	LOC	32	LOC	33	LOC	34	LOC	35	LOC	36	LOC	37	LOC	38
PIN	PAGE	PIN	PAGE	PIN	PAGE	PIN	PAGE	PIN	PAGE	PIN	PAGE	PIN	PAGE	PIN	PAGE	PIN	PAGE	PIN	PAGE	PIN	PAGE	PIN	PAGE	PIN	PAGE
1		1	138	1		1	138	1		1		1		1		1		1		1		1		1	136
2		2	138	2		2	138	2		2		2		2		2		2		2		2		2	
3		3	138	3		3		3		3		3		3		3		3		3		3		3	
4		4		4		4		4		4		4		4		4		4		4		4		4	136
5		5		5		5		5		5		5		5		5		5		5		5		5	
6		6		6		6	138	6		6		6		6		6		6		6		6		6	136
7		7		7		7		7	120	7	124	7	121	7	125	7	122	7	126	7	123	7	127	7	
8		8		8		8		8		8		8		8		8		8		8		8		8	
9		9		9		9	138	9		9		9		9		9		9		9		9		9	
10		10		10		10	138	10		10		10		10		10		10		10		10		10	
11		11		11		11		11		11		11		11		11		11		11		11		11	
12		12		12		12		12		12		12		12		12		12		12		12		12	
13		13		13		13		13		13		13		13		13		13		13		13		13	
14		14		14		14	138	14		14		14		14		14		14		14		14		14	
15		15		15		15		15		15		15		15		15		15		15		15		15	
16		16		16		16	138	16	120	16	124	16	121	16	125	16	122	16	126	16	123	16	127	16	
17		17		17		17		17		17		17		17		17		17		17		17		17	136
18		18		18		18	138	18	120	18	124	18	121	18	125	18	122	18	126	18	123	18	127	18	
19		19		19		19		19		19		19		19		19		19		19		19		19	
20		20		20		20	138	20	120	20	124	20	121	20	125	20	122	20	126	20	123	20	127	20	
21		21		21		21		21		21		21		21		21		21		21		21		21	
22		22		22		22	138	22	120	22	124	22	121	22	125	22	122	22	126	22	123	22	127	22	
23		23		23		23		23		23		23		23		23		23		23		23		23	
24		24		24		24		24	120	24	124	24	121	24	125	24	122	24	126	24	123	24	127	24	
25		25		25		25		25		25		25		25		25		25		25		25		25	
26		26		26		26		26	120	26	124	26	121	26	125	26	122	26	126	26	123	26	127	26	
27		27		27		27		27	120	27	124	27	121	27	125	27	122	27	126	27	123	27	127	27	136
28		28		28		28		28	120	28	124	28	121	28	125	28	122	28	126	28	123	28	127	28	136
29		29		29		29		29		29		29		29		29		29		29		29		29	
30		30		30		30		30	120	30	124	30	121	30	125	30	122	30	126	30	123	30	127	30	
31		31		31		31		31		31		31		31		31		31		31		31		31	
32		32		32		32		32	120	32	124	32	121	32	125	32	122	32	126	32	123	32	127	32	
33		33		33		33		33		33		33		33		33		33		33		33		33	
34		34		34		34		34		34		34		34		34		34		34		34		34	
35		35		35		35	138	35		35		35		35		35		35		35		35		35	
36		36	138	36		36	138	36		36		36		36		36		36		36		36		36	
37		37		37		37		37		37		37		37		37		37		37		37		37	
38		38		38		38		38		38		38		38		38		38		38		38		38	
39		39		39		39		39		39		39		39		39		39		39		39		39	
40		40	138	40		40		40		40		40		40		40		40		40		40		40	
41		41		41		41		41		41		41		41		41		41		41		41		41	
42		42		42		42		42	120	42	124	42	121	42	125	42	122	42	126	42	123	42	127	42	
43		43	138	43		43		43	120	43	124	43	121	43	125	43	122	43	126	43	123	43	127	43	
44		44		44		44		44		44		44		44		44		44		44		44		44	
45		45		45		45		45		45		45		45		45		45		45		45		45	
46		46		46		46		46		46		46		46		46		46		46		46		46	
47		47		47		47		47		47		47		47		47		47		47		47		47	

ROW
B

PIN LOCATOR

LOC	39	LOC	40	LOC	41	LOC	42	LOC	43	LOC	44	LOC	45	LOC	LOC	LOC	LOC	LOC	LOC	LOC	LOC	LOC	LOC	LOC	
PIN	PAGE	PIN	PAGE	PIN	PAGE	PIN	PAGE	PIN	PAGE	PIN	PAGE	PIN	PAGE	PIN	PAGE	PIN	PAGE	PIN	PAGE	PIN	PAGE	PIN	PAGE	PIN	PAGE
1	137	1		1		1		1		1	133	1		1		1		1		1		1		1	
2		2		2		2		2		2		2		2		2		2		2		2		2	
3		3		3		3		3		3		3	131	3		3		3		3		3		3	
4	137	4		4		4		4		4		4	131	4		4		4		4		4		4	
5		5		5		5		5		5		5		5		5		5		5		5		5	
6	137	6	119	6	118	6	119	6	118	6	133	6	131	6		6		6		6		6		6	
7		7		7		7		7		7		7		7		7		7		7		7		7	
8		8	119	8	118	8	119	8	118	8	133	8	131	8		8		8		8		8		8	
9		9		9		9		9		9		9		9		9		9		9		9		9	
10		10	119	10	118	10	119	10	118	10	134	10	131	10		10		10		10		10		10	
11		11		11		11		11		11		11		11		11		11		11		11		11	
12		12	119	12	118	12	119	12	118	12	134	12	131	12		12		12		12		12		12	
13		13		13		13		13		13		13		13		13		13		13		13		13	
14		14	119	14	118	14	119	14	118	14	134	14	131	14		14		14		14		14		14	
15		15		15		15		15		15		15		15		15		15		15		15		15	
16		16	119	16	118	16	119	16	118	16	134	16	131	16		16		16		16		16		16	
17	137	17		17		17		17		17		17		17		17		17		17		17		17	
18		18	119	18	118	18	119	18	118	18	134	18	131	18		18		18		18		18		18	
19		19		19		19		19		19		19		19		19		19		19		19		19	
20		20	119	20	118	20	119	20	118	20	134	20	131	20		20		20		20		20		20	
21		21		21		21		21		21		21		21		21		21		21		21		21	
22		22	119	22	118	22	119	22	118	22	134	22	132	22		22		22		22		22		22	
23		23		23		23		23		23		23		23		23		23		23		23		23	
24		24	119	24	118	24	119	24	118	24	134	24	132	24		24		24		24		24		24	
25		25		25		25		25		25		25		25		25		25		25		25		25	
26		26		26		26		26		26	134	26	132	26		26		26		26		26		26	
27	137	27		27		27		27		27		27		27		27		27		27		27		27	
28	137	28		28		28		28		28	134	28	132	28		28		28		28		28		28	
29		29		29		29		29		29		29		29		29		29		29		29		29	
30		30	119	30	118	30	119	30	118	30	135	30	132	30		30		30		30		30		30	
31		31		31		31		31		31		31		31		31		31		31		31		31	
32		32	119	32	118	32	119	32	118	32	135	32	132	32		32		32		32		32		32	
33		33		33		33		33		33		33		33		33		33		33		33		33	
34		34	119	34	118	34	119	34	118	34	135	34	132	34		34		34		34		34		34	
35		35		35		35		35		35		35		35		35		35		35		35		35	
36		36	119	36	118	36	119	36	118	36	135	36	132	36		36		36		36		36		36	
37		37		37		37		37		37		37	132	37		37		37		37		37		37	
38		38		38		38		38		38		38	132	38		38		38		38		38		38	
39		39		39		39		39		39		39	133	39		39		39		39		39		39	
40		40		40		40		40		40		40		40		40		40		40		40		40	
41		41		41		41		41		41		41		41		41		41		41		41		41	
42		42		42		42		42		42		42		42		42		42		42		42		42	
43		43		43		43		43		43		43		43		43		43		43		43		43	
44		44		44		44		44		44		44		44		44		44		44		44		44	
45		45		45		45		45		45		45		45		45		45		45		45		45	
46		46		46		46		46		46		46		46		46		46		46		46		46	
47		47		47		47		47		47		47		47		47		47		47		47		47	

ROW
B

PIN LOCATOR

← ROWS 29 - 40 →

LOC	26	LOC	27	LOC	28	LOC	LOC	LOC	41	LOC	42	LOC	43	LOC	44	LOC	45	LOC	LOC	LOC	LOC	LOC	LOC	LOC	
PIN	PAGE	PIN	PAGE	PIN	PAGE	PIN	PAGE	PIN	PAGE	PIN	PAGE	PIN	PAGE	PIN	PAGE	PIN	PAGE	PIN	PAGE	PIN	PAGE	PIN	PAGE	PIN	PAGE
1		1		1		1		1		1		1		1		1		1		1		1		1	
2		2		2		2		2		2		2		2		2		2		2		2		2	
3		3		3		3		3		3		3		3		3		3		3		3		3	
4		4		4		4		4		4		4		4		4		4		4		4		4	
5		5		5		5		5		5		5		5		5		5		5		5		5	
6		6		6		6		6		6		6		6		6		6		6		6		6	
7		7		7		7		7		7		7		7		7		7		7		7		7	
8		8		8		8		8	135	8	134	8	133	8	132	8	131	8		8		8		8	
9	130	9	129	9	128	9		9		9		9		9		9		9		9		9		9	
10		10		10		10		10	135	10	134	10	133	10	132	10	131	10		10		10		10	
11		11		11		11		11		11		11		11		11		11		11		11		11	
12		12		12		12		12	135	12	134	12	133	12	132	12	131	12		12		12		12	
13		13		13		13		13		13		13		13		13		13		13		13		13	
14		14		14		14		14	135	14	134	14	133	14	132	14	131	14		14		14		14	
15		15		15		15		15		15		15		15		15		15		15		15		15	
16	130	16	129	16	128	16		16	135	16	134	16	133	16	132	16	131	16		16		16		16	
17		17		17		17		17		17		17		17		17		17		17		17		17	
18		18		18		18		18	135	18	134	18	133	18	132	18	131	18		18		18		18	
19		19		19		19		19		19		19		19		19		19		19		19		19	
20		20		20		20		20	135	20	134	20	133	20	132	20	131	20		20		20		20	
21		21		21		21		21		21		21		21		21		21		21		21		21	
22		22		22		22		22	135	22	134	22	133	22	132	22	131	22		22		22		22	
23		23		23		23		23		23		23		23		23		23		23		23		23	
24		24		24		24		24	135	24	134	24	133	24	132	24	131	24		24		24		24	
25		25		25		25		25		25		25		25		25		25		25		25		25	
26		26		26		26		26		26		26		26		26		26		26		26		26	
27		27		27		27		27		27		27		27		27		27		27		27		27	
28		28		28		28		28	135	28	134	28	133	28	132	28	131	28		28		28		28	
29		29		29		29		29		29		29		29		29		29		29		29		29	
30		30		30		30		30	135	30	134	30	133	30	132	30	131	30		30		30		30	
31		31		31		31		31		31		31		31		31		31		31		31		31	
32		32		32		32		32	135	32	134	32	133	32	132	32	131	32		32		32		32	
33		33		33		33		33		33		33		33		33		33		33		33		33	
34		34		34		34		34	135	34	134	34	133	34	132	34	131	34		34		34		34	
35		35		35		35		35		35		35		35		35		35		35		35		35	
36	130	36	129	36	128	36		36	135	36	134	36	133	36	132	36	131	36		36		36		36	
37		37		37		37		37		37		37		37		37		37		37		37		37	
38		38		38		38		38	135	38	134	38	133	38	132	38	131	38		38		38		38	
39		39		39		39		39		39		39		39		39		39		39		39		39	
40		40		40		40		40		40		40		40		40		40		40		40		40	
41		41		41		41		41		41		41		41		41		41		41		41		41	
42		42		42		42		42		42		42		42		42		42		42		42		42	
43	130	43	129	43	128	43		43		43		43		43		43		43		43		43		43	
44		44		44		44		44		44		44		44		44		44		44		44		44	
45		45		45		45		45		45		45		45		45		45		45		45		45	
46		46		46		46		46		46		46		46		46		46		46		46		46	
47		47		47		47		47		47		47		47		47		47		47		47		47	

ROW C

PAGE	CHG	PAGE	CHG	PAGE	CHG	PAGE	CHG	PAGE	CHG
1	A	41	F	81	J	121	C	158	E
2	A	42	J	82	A	122	C	159	D
3	A	43	A	83	A	123	C	160	D
4	A	44	A	84	A	124	C	161	D
5	A	45	A	85	A	125	C	162	E
6	A	46	A	86	A	126	C	163	E
7	A	47	A	87	A	127	C	164	E
8	A	48	A	88	A	128	A	165	E
9	A	49	A	89	B	129	A	166	E
10	A	50	A	90	A	130	A	167	E
11	A	51	A	91	A	131	A	168	N
12	A	52	A	92	B	132	A	169	E
13	D	53	A	93	A	133	A	170	J
14	A	54	B	94	A	134	A	175	E
15	A	55	A	95	A	135	A		
16	M	56	A	96	A	136	C		
17	A	57	A	97	A	137	C		
18	A	58	B	98	A	138	D		
19	A	59	A	99	A	139	J		
20	A	60	A	100	A	140	A		
21	J	61	A	101	G	141	A		
22	A	62	A	102	B	142	N		
23	A	63	A	103	A	143	J		
24	A	64	F	104	B	144	A		
25	J	65	A	105	A	144A	N		
26	L	66	A	106	A	144B	N		
27	A	67	G	107	F	145	D		
28	A	68	A	108	A	146	F		
29	A	69	B	109	A	146A	N		
30	D	70	A	110	J	147	F		
31	J	71	A	111	A	148	F		
32	F	72	A	112	A	149	F		
33	F	73	A	113	A	150	J		
34	A	74	A	114	F	151	M		
35	A	75	A	115	F	152	J		
36	A	76	A	116	G	153	J		
37	F	77	A	117	K	154	D		
38	A	78	A	118	A	155	M		
39	A	79	A	119	A	156	A		
40	A	80	L	120	C	157	N		

EFFECTIVITY: WIRE LIST 101081 and 920 Serial Numbers not effected.
General Additions only

NOTES:

1. REV. LETTERS LISTED INDICATE STATUS OF EACH SHEET OF THIS MULTIPLE SHEET DWG.
2. CHECK INDIVIDUAL SHEETS FOR REV. LETTER AGAINST THIS SHEET BEFORE USING THIS DWG.

910
920
Interlace

25G
25G
Wired

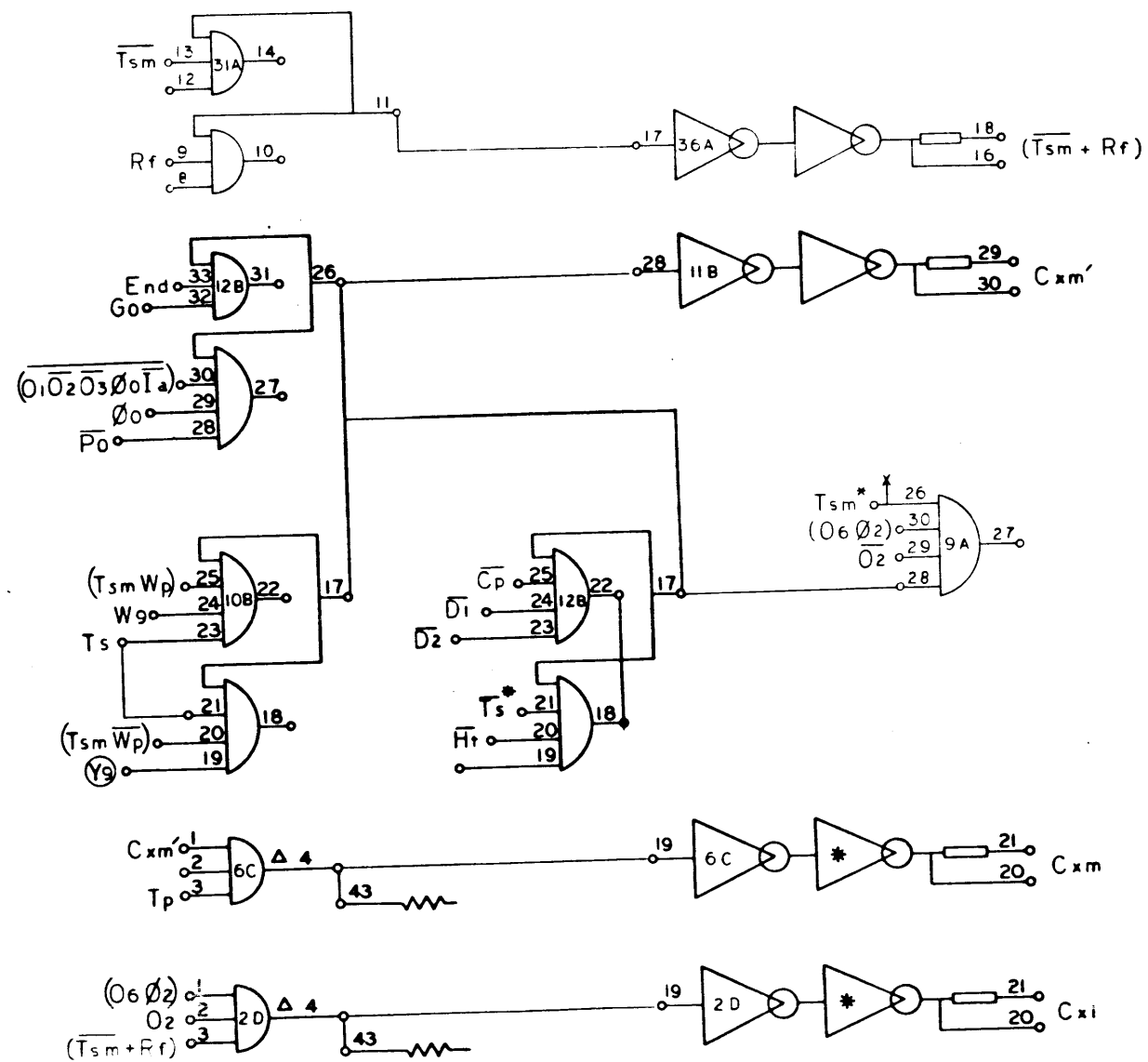
Pin	Logic	Conn Circuit	Pin	Logic	Conn Circuit
1	\overline{Tsm}	(bead)	25		
2	Wp	"	26		
3	\overline{Wp}	"	27		
4	Wh	"	28		
5	Yh	(bead)	29	Iwf	(short)
6	Iw	(short)	30	Iw10	"
7	$\overline{Iw} \overline{Ew}$	"	31	Iw11	"
8	Iy	"	32	Iw12	"
9	$\overline{Iy} \overline{Ey}$	"	33	Iw13	"
10	Iy10	(short)	34	Iw14	"
11	Iy11	"	35	Iw15	"
12	Iy12	"	36	Iw16	"
13	Iy13	"	37	Iw17	"
14	Iy14	"	38	Iw18	"
15	Iy15	"	39	Iw19	"
16	Iy16	"	40	Iw20	"
17	Iy17	"	41	Iw21	"
18	Iy18	"	42	Iw22	"
19	Iy19	"	43	Iw23	"
20	Iy20	"	44	+ 0V	"
21	Iy21	"	45	+ 8V	"
22	Iy22	"	46	- 25V	"
23	Iy23	"	47	+ 25V	(short)
24	Iyf	(short)			

Key 6-18

Pin	Logic	Conn Circuit	Pin	Logic	Conn Circuit
1			25		
2			26		
3			27		
4			28		
5			29		
6			30		
7			31		
8			32		
9			33		
10			34		
11			35		
12			36		
13			37		
14			38		
15			39		
16			40		
17			41		
18			42		
19			43		
20			44		
21			45		
22			46		
23			47		
24					

920 PAGE 168 N

REVISIONS				104337	A
REV	DESCRIPTION	CHK	DATE	APPROVED	
A	RELEASED TO MFG		1/16/63		



920
Page 67
920(MOD)
PAGE 12
A

NO. REG.	DRAWING NO.	DESCRIPTION	REFERENCE DESIGNATION	FILE NO.
MATERIAL LIST				
NOTES UNLESS SPECIFIED		DRAWN	SDS SCIENTIFIC DATA SYSTEMS 1742 FIFTEENTH STREET SANTA MONICA, CALIFORNIA	
1 TOLERANCES 25 ± .000 ANGULAR SEE .010 2 BREAK ALL SHARP EDGES 0.10 APPROX 3 HATCH SURFACES 4 ALL DIM IN INCHES		CHECK		
		APPR	DIAGRAM, LOGIC COMPUTER (MOD)	
MODEL NO.	920(MOD)	SIZE	DWG NO.	A
NEXT ASSY.		SCALE	DO NOT SCALE DRAWING	SHEET

104337A

REVISIONS				104337
REV	DESCRIPTION	CHKD	DATE	APPROVED
A	RELEASED TO MFG	CLD	11/12/63	Han
B	SEE REV. E.O.	W	12/10/63	W. B. G.
C	SEE REV E.O.	W	12/10/63	W. B. G.
D	SEE REV E.O.	W	12/10/63	W. B. G.
E	SEE REV E.O.	W	12/10/63	W. B. G.
F	SEE REV E.O.	W	12/10/63	W. B. G.

PAGE	CHG	PAGE	CHG	PAGE	CHG	PAGE	CHG	PAGE	CHG
1	F								
2	E								
3	A								
4	A								
5	A								
6	A								
7	A								
8	A								
9	A								
10	A								
11	E								
12	F								
13	F								
14	A								
15	C								
16	A								
17	A								
18	A								
19	E								
20	A								
21	A								
22	C								
23	A								
24	A								
25	A								
26	C								
27	D								
28	A								
29	A								
30	A								
31	A								
32	A								
33	A								
34	B								

104337 PAGE	REPLACES 101701 PAGE
2	1
3	29
4	30
5	36
6	40
7	41
8	52
9	58
10	64
11	66
12	67
13	83
14	99
15	110
16	111
17	112
18	114
19	

104337 PAGE	REPLACES 101701 PAGE
20	139
21	141
22	143
23	145
24	146
25	147
26	150
27	151
28	152
29	153
30	164
31	168
32	169
33	170
34	44

THIS DWG REPLACES IN PART, DWG 101701, WHEN A 920 COMPUTER IS USED IN CONJUNCTION WITH A 7149 HIGH SPEED INTERLACE. THE PAGES OF THIS DWG REPLACE PAGES OF 101701 AS INDICATED ABOVE.

- NOTES:
 1. REV LETTERS LISTED INDICATE STATUS OF EACH SHEET OF THIS MULTIPLE SHEET DRAWING.
 2. CHECK INDIVIDUAL SHEETS FOR REVISION LETTER AGAINST THIS SHEET BEFORE USING THIS DRAWING.

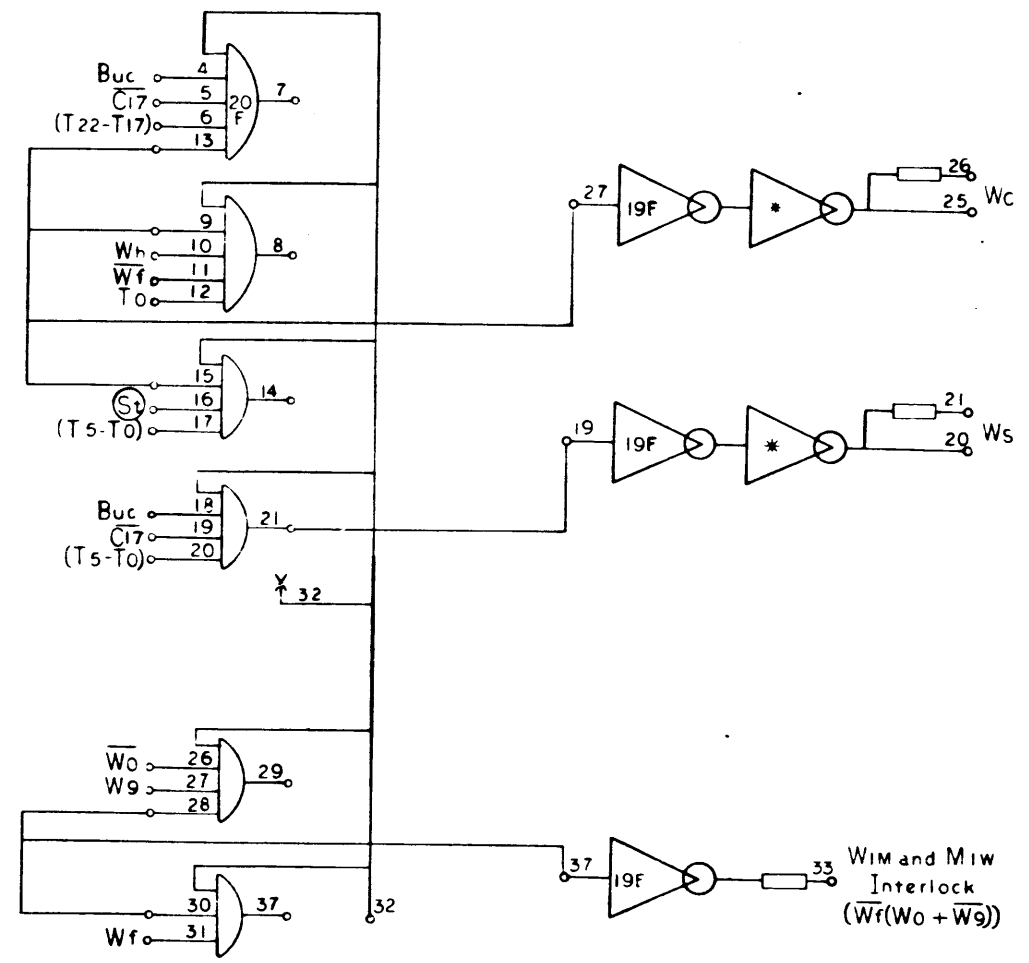
REFERENCE DESIGNATIONS ARE ABBREVIATED. PREFIX THE DESIGNATION WITH UNIT NUMBER OR ASSEMBLY DESIGNATION OR BOTH. (MIL. STD. 168)

920(MOD)
 COMPUTER
 PAGE 1
 F

NO. REV.	DRAWING NO.	DESCRIPTION	REFERENCE DESIGNATION	ITEM NO.
NOTES UNLESS SPECIFIED				
1. TOLERANCES XX - DIM XXX - DIM		2. ANGULAR DIM	DRAWN R. KEMP	
3. BREAK ALL SHARP EDGES 910 APPROX		4. MACH SURFACES	CHECK J. J. G. 11/11/63	DATE 11-12-63
5. ALL DIM IN INCHES			APPR J. J. G. 12/10/63	
MATERIAL LIST			TITLE	
SDS			DIAGRAM, LOGIC COMPUTER (MOD)	
MODEL NO. 920(MOD)			REV. D	DWG NO. 104337
NEXT ASSY			SCALE	DO NOT SCALE DRAWING

104337 F

REVISIONS				101701	D
REV.	DESCRIPTION	CHK.	DATE	APPROVED	
A	RELEASED TO MFG				
V	SEE REV EC				
D	SEE REV EC				



920
Page 16
B

NO. REQ.	DRAWING NO.	DESCRIPTION	REFERENCE DESIGNATION	ITEM NO.
MATERIAL LIST				
NOTES UNLESS SPECIFIED:		CHECK	SDS SCIENTIFIC DATA SYSTEMS	
1. TOLERANCES: .000 ANGULAR .010		APPR	1432 FIFTEENTH STREET SANTA MONICA CALIFORNIA	
2. BREAK ALL SHARP EDGES .010 APPROX			TITLE	
3. MACH SURFACES ✓			DIAGRAM, LOGIC COMPUTER	
4. ALL DIM IN INCHES				
MODEL NO	920	SIZE	DWG NO	B
NEXT ASSY		SCALE	DO NOT SCALE DRAWING	SHEET

PAGE	CHG	PAGE	CHG	PAGE	CHG	PAGE	CHG	PAGE	CHG
1	A	41	F	81	J	121	C	158	E
2	A	42	J	82	A	122	C	159	D
3	A	43	A	83	A	123	C	160	D
4	A	44	A	84	A	124	C	161	D
5	A	45	A	85	A	125	C	162	E
6	A	46	A	86	A	126	C	163	E
7	A	47	A	87	A	127	C	164	E
8	A	48	A	88	A	128	A	165	E
9	A	49	A	89	B	129	A	166	E
10	A	50	A	90	A	130	A	167	E
11	A	51	A	91	A	131	A	168	N
12	A	52	A	92	B	132	A	169	E
13	C	53	A	93	A	133	A	170	J
14	A	54	B	94	A	134	A	175	E
15	A	55	A	95	A	135	A		
16	F	56	A	96	A	136	C		
17	A	57	A	97	A	137	C		
18	A	58	B	98	A	138	D		
19	A	59	A	99	A	139	J		
20	A	60	A	100	A	140	A		
21	J	61	A	101	G	141	A		
22	A	62	A	102	B	142	N		
23	A	63	A	103	A	143	J		
24	A	64	F	104	B	144	A		
25	J	65	A	105	A	144A	N		
26	L	66	A	106	A	144B	N		
27	A	67	G	107	F	145	D		
28	A	68	A	108	A	146	F		
29	A	69	B	109	A	146A	N		
30	C	70	A	110	J	147	F		
31	J	71	A	111	A	148	F		
32	F	72	A	112	A	149	F		
33	F	73	A	113	A	150	J		
34	A	74	A	114	F	151	M		
35	A	75	A	115	F	152	J		
36	A	76	A	116	G	153	J		
37	F	77	A	117	K	154	D		
38	A	78	A	118	A	155	M		
39	A	79	A	119	A	156	A		
40	A	80	L	120	C	157	P		

NOTES:
1. REV. LETTERS LISTED INDICATE STATUS OF EACH SHEET OF THIS MULTIPLE SHEET DWG.
2. CHECK INDIVIDUAL SHEETS FOR REV LETTER AGAINST THIS SHEET BEFORE USING THIS DWG.

920
PAGE 157

B

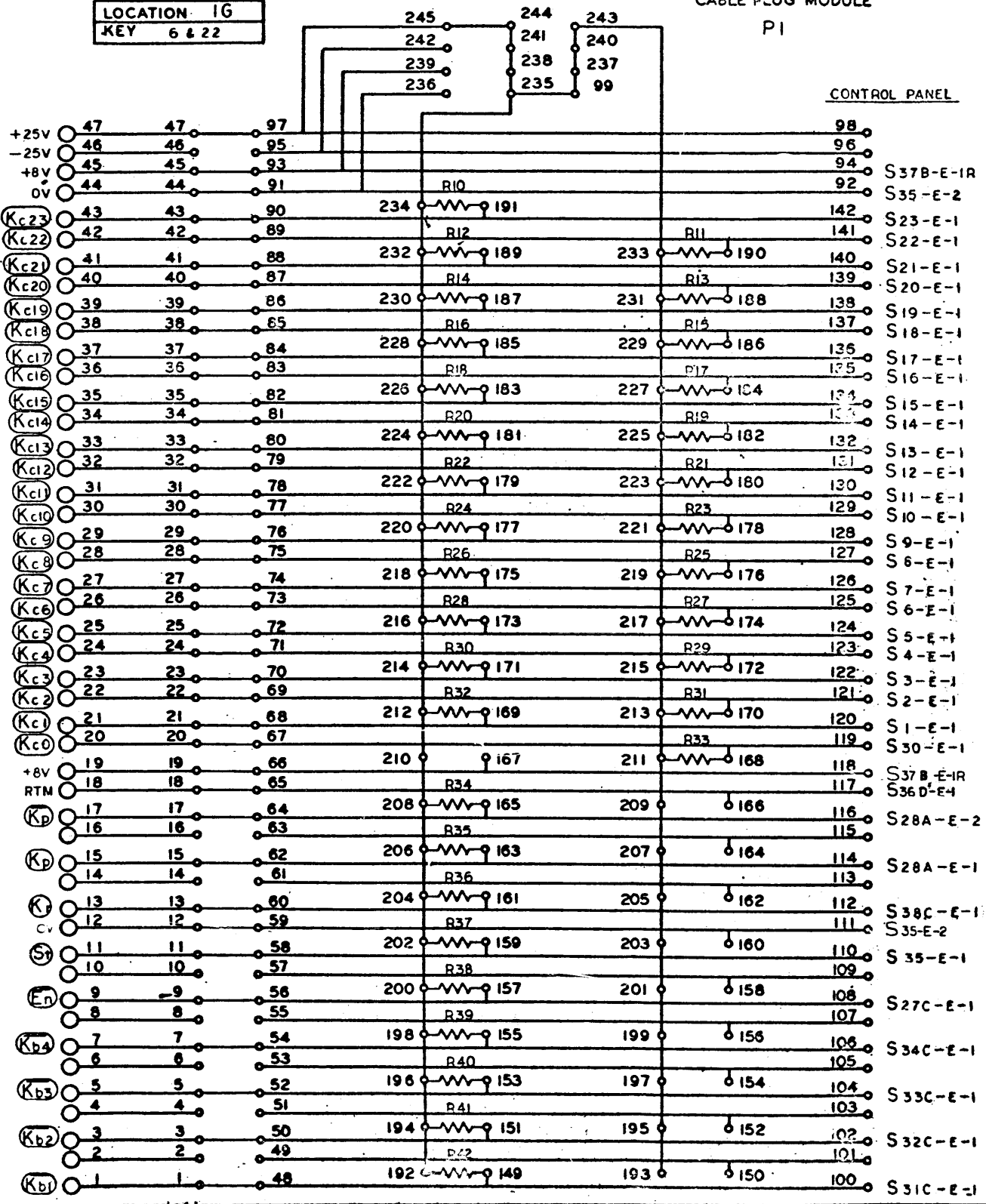
REVISIONS				101701	3
REV	DESCRIPTION	CHK	DATE	APPROVED	
B	SEE REVISION E.O.	W/B	1/16/63	[Signature]	
C	SEE REV. E.O.	W/B	1/16/63	[Signature]	
D	SEE REV. E.O.	W/B	1/16/63	[Signature]	
E	SEE REV. E.O.	W/B	1/16/63	[Signature]	
F	SEE REV. E.O.	W/B	1/16/63	[Signature]	
G	SEE REV. E.O.	W/B	1/16/63	[Signature]	
H	SEE REV. E.O.	W/B	1/16/63	[Signature]	
J	SEE REV. E.O.	W/B	1/16/63	[Signature]	
K	SEE REV. E.O.	W/B	1/16/63	[Signature]	
L	SEE REV. E.O.	W/B	1/16/63	[Signature]	
M	SEE REV. E.O.	W/B	1/16/63	[Signature]	
N	SEE REV. E.O.	W/B	1/16/63	[Signature]	
P	SEE REV. E.O.	W/B	1/16/63	[Signature]	

NO. REQ.	DRAWING NO.	DESCRIPTION	REFERENCE DESIGNATION	ITEM NO.
MATERIAL LIST				
NOTES UNLESS SPECIFIED		DRAWN: [Signature] 1/7/63	SDS SCIENTIFIC DATA SYSTEMS 1542 FIFTEENTH STREET, SANTA MONICA, CALIFORNIA	
1. TOLERANCES XX - DIM ANGULAR ± .1" XX - DIM ± .010 2. BREAK ALL SHARP EDGES DIM APPROX 3. HATCH SURFACES ✓ 4. ALL DIM IN INCHES		CHECK: [Signature] 1/16/63		
		APPR: [Signature] 1/16/63	TITLE DIAGRAM, LOGIC COMPUTER	
MODEL NO 920		SIZE	DWG. NO. D 101701	B
NEXT ASSY		SCALE	DO NOT SCALE DRAWING	SHEET

LOCATION 1G
KEY 6 & 22

CABLE PLUG MODULE
PI

CONTROL PANEL



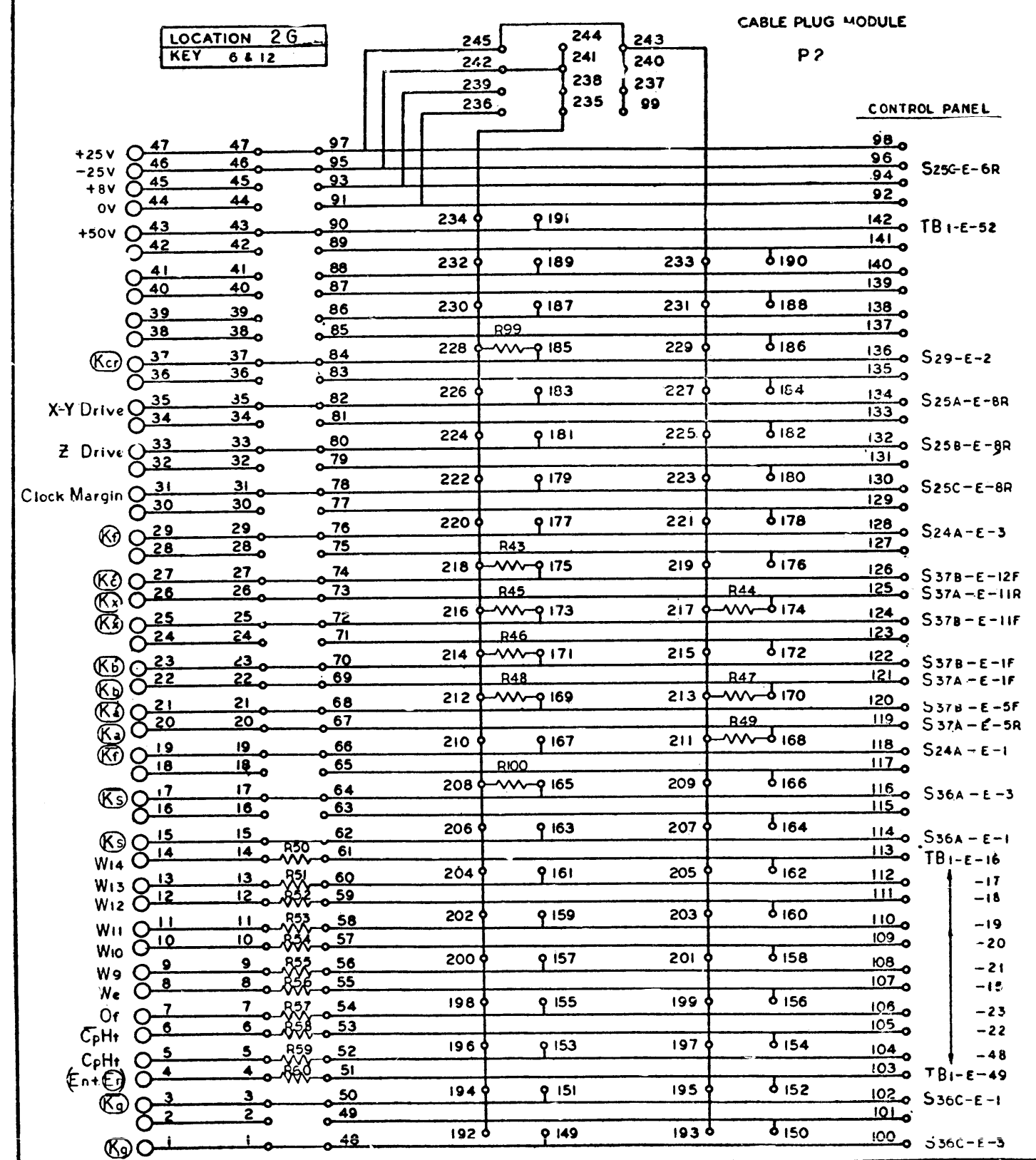
REFERENCE DESIGNATIONS
ARE ABBREVIATED.
PREFIX THE DESIGNATION
WITH UNIT NUMBER
OR ASSEMBLY DESIGNATION
OR BOTH. (MIL. STD. 168)

REVISIONS			
REV.	DESCRIPTION	DATE	BY
D	SEE REV. E.D.	6/10/53	DWH
E	SEE REV. E.D.	6/10/53	DWH
F	SEE REV. E.D.	6/10/53	DWH

101157 F1

NO. REV.	DRAWING NO.	DESCRIPTION	REFERENCE DESIGNATION	ITEM NO.
MATERIAL LIST				
NOTES UNLESS SPECIFIED		DRAWN DWH 4-25-53	SDS SCHEMATIC DATA SYSTEMS	
1. TOLERANCES UNLESS SPECIFIED ARE AS SHOWN		CHECKED Ed Bernick 6/10/53	1241 FIFTEENTH STREET, SANTA MONICA, CALIFORNIA	
2. DIMENSIONS SHALL BE IN INCHES UNLESS OTHERWISE SPECIFIED		APPROVED J. Cantrell 6/10/53	TITLE	
3. DIMENSIONS SHALL BE IN MILLIMETERS UNLESS OTHERWISE SPECIFIED			SCHEMATIC, CONTROL PANEL	
4. ALL DIMENSIONS SHALL BE IN MILLIMETERS UNLESS OTHERWISE SPECIFIED				
MODEL NO. 910, 920		REV. NO. D	101157 F	
NEXT APP. 100946		SCALE	DO NOT SCALE DRAWING SHEET 1 OF 6	

REVISIONS				101157	F
REV.	DESCRIPTION	CHK.	DATE	APPROVED	
	SEE 547. ONE				



NO. RES.	DRAWING NO.	DESCRIPTION	REFERENCE DESIGNATION	ITEM NO.
MATERIAL LIST				
NOTES UNLESS SPECIFIED		DRAWN	TITLE	
1. UNLESS SPECIFIED		CHECK	SDS QUANTITY DATA SYSTEMS 1545 FIFTEENTH STREET, SANTA MONICA, CALIFORNIA SCHEMATIC, CONTROL PANEL	
2. UNLESS SPECIFIED		APPR.		
3. UNLESS SPECIFIED				
4. UNLESS SPECIFIED				
MODEL NO.	910,920	SIZE	D 101157 F	
NEXT ASSY.	100946	SCALE	DO NOT SCALE DRAWING SHEET 2 OF 6	

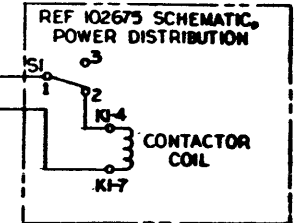
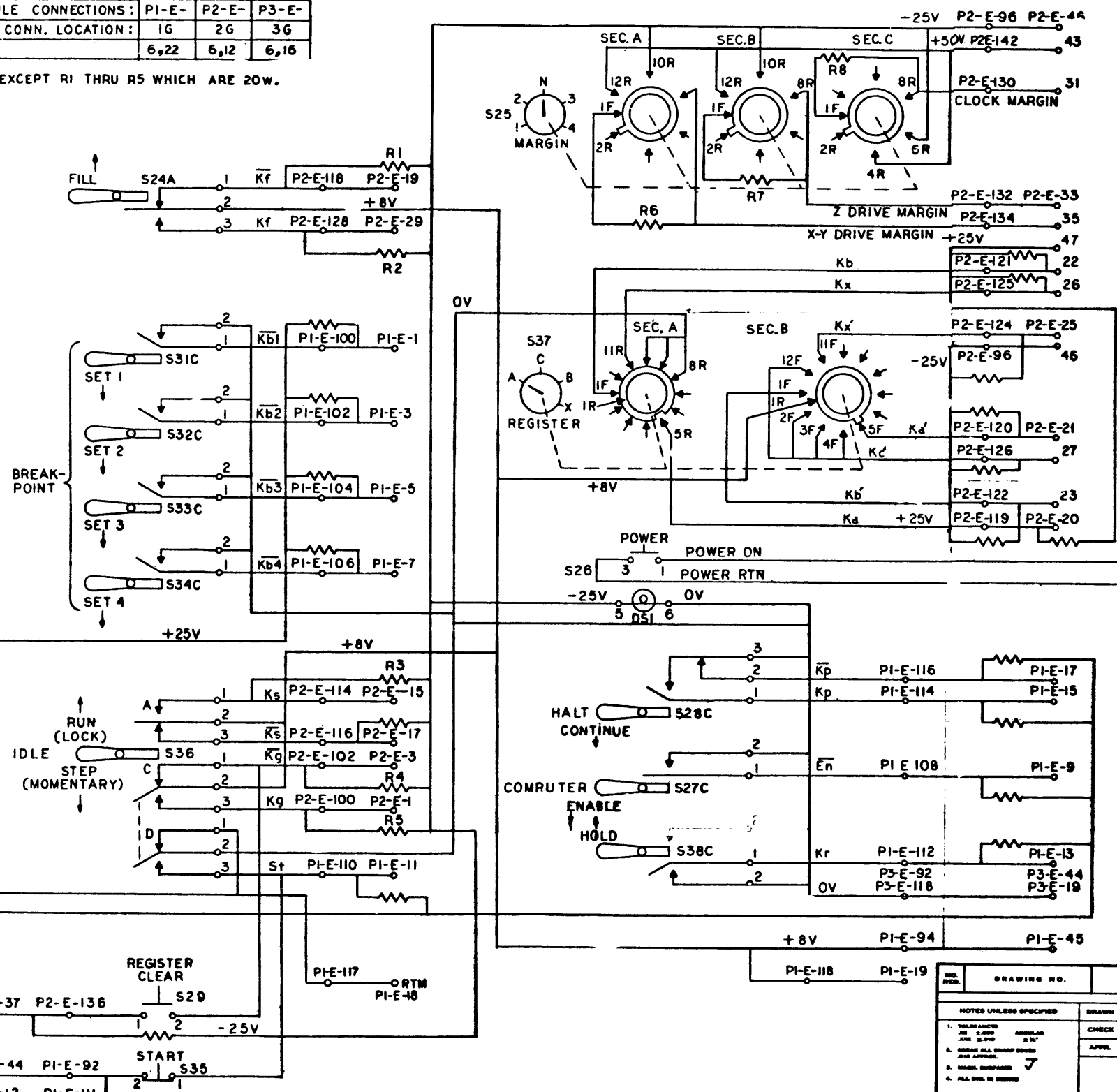
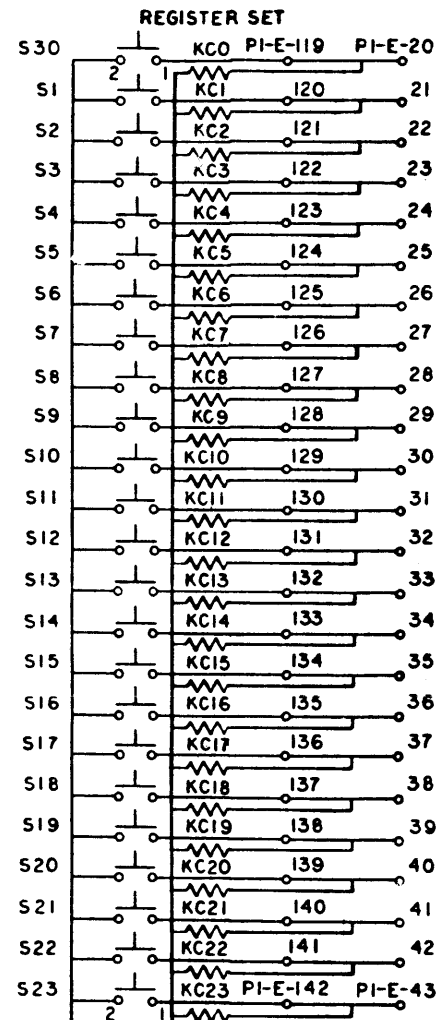
101157 F

NOTES:

1. CABLE PLUG MODULE CONNECTIONS:	PI-E-	P2-E-	P3-E-
TERMINATE AT COMPUTER CONN. LOCATION:	1G	2G	3G
KEY	6,22	6,12	6,16

2. ALL RESISTORS ARE 1/2W ± 2% EXCEPT R1 THRU R5 WHICH ARE 20W.

REV.	DESCRIPTION	CHK.	DATE	APPROVED
1	SEE SHEET 1			

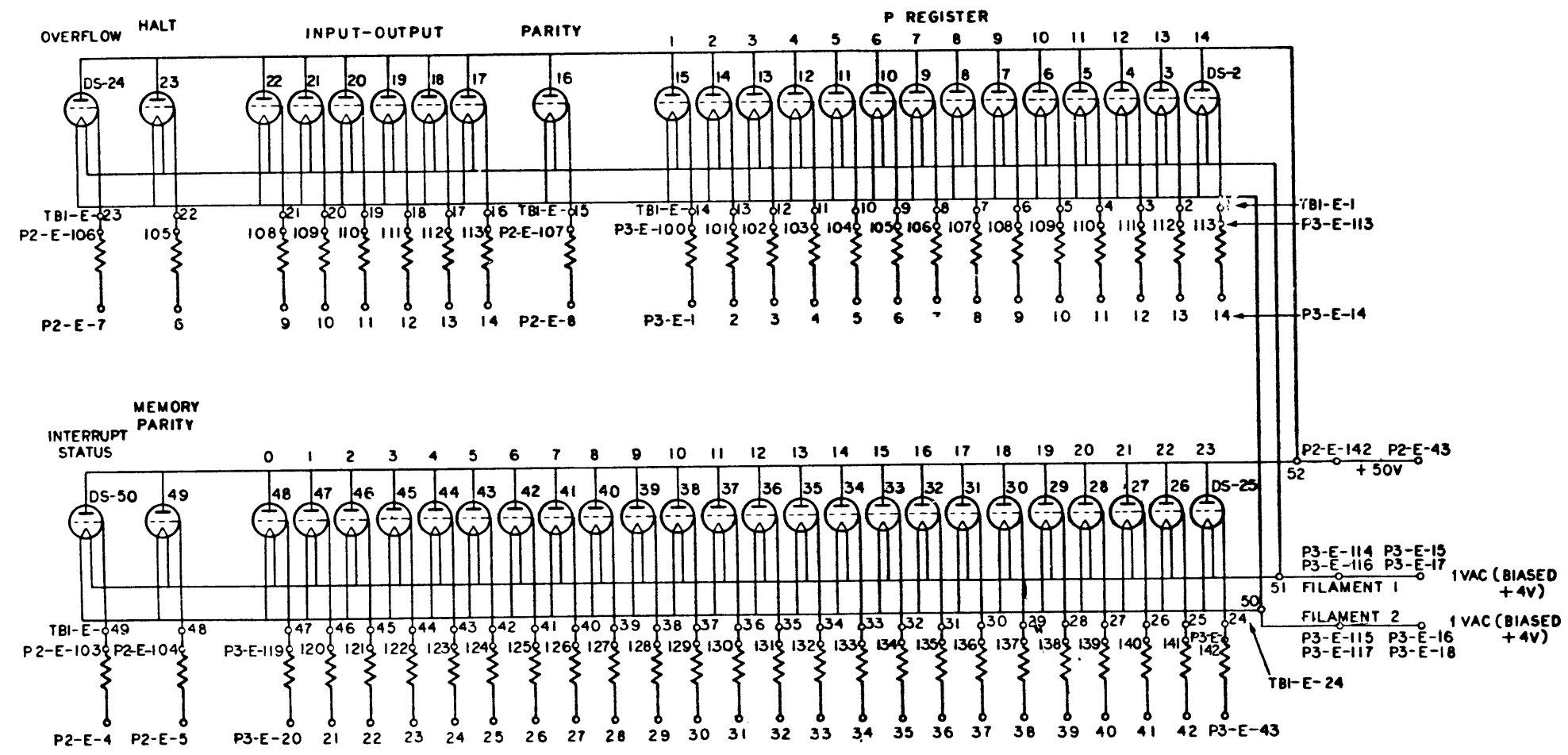


NO.	DRAWING NO.	DESCRIPTION	REFERENCE DESIGNATION	REV.
1		NOTES UNLESS SPECIFIED		
2		1. TOLERANCES UNLESS SPECIFIED		
3		2. DIMENSIONS ARE IN INCHES		
4		3. BREAK ALL SHARP EDGES AND APPROX.		
5		4. HIDE SURFACES		
6		5. ALL DIM. IN DIMENSIONS		
MODEL NO. 910,920 NEXT ASSY. 100946		DRAWN: METH CHECK: [Signature] APPR: [Signature]	DATE: 8-17-62 TITLE: SCHEMATIC CONTROL PANEL	REV. NO. D DRAWING NO. 101157 SHEET 4 OF 6

101157-4-F

REVISIONS			
REV.	DESCRIPTION	CHK	DATE
	SEE SH1 ONE		
			10/15/71 F

NOTES:
1. ALL RESISTORS 100K Ω 1/2 WATT $\pm 2\%$.



101157 E

NO.	DRAWING NO.	DESCRIPTION	REFERENCE DESIGNATION	ITEM NO.
MATERIAL LIST				
NOTES UNLESS SPECIFIED:				
1. TOLERANCES	UNLESS SPECIFIED	DRAWN	7-9-62	
2. DIMENSIONS	AS SHOWN	CHECK	TFT	EA
3. BREAK ALL SHARP EDGES	AND APPROX.	APPR.	G. J. Smith	8/1/62
4. MARK SURFACES	AS SHOWN	TITLE		
5. ALL DIM. IN INCHES		SCHEMATIC CONTROL PANEL		
MODEL NO.	910, 920	SIZE	D	101157 F
NEXT ASSY.	100946	SCALE	DO NOT SCALE DRAWING	SHEET 5 OF 6

REVISIONS			
REV	DESCRIPTION	CHK	DATE
	SEE SH. ONE		

REPLACEMENT PARTS LIST

ITEM	DESCRIPTION	DESIGNATION	QTY	SUPPLIER CODE (SEE INDEX)
1	RESISTOR, W.W. 500Ω ± 5%	R1, R3	2	99, 100
2	↑ W.W. 250Ω ↓	R2	1	↑
3	W.W. 1 K ↓	R4	1	↓
4	W.W. 1.5 K ± 5%	R5	1	99, 100
5	27 K ± 2%	R6	1	16, 17
6	1 K ↑	R7, R8	2	↑
7	56 K ↓	(P1) R10 THRU R42 (P2) R44, R47, R49	36	↓
8	1.8 K ↓	(P2) R43, R45, R46, R48	4	↓
9	RESISTOR, 100K ± 2%	(P2) R50 THRU R60 (P3) R61 THRU R98	49	16, 17
10	SWITCH, LEVER *101520	S24	1	SDS
11	↑ *101266 ↓	S27	1	↑
12	*100934	S28	1	↓
13	↓ *101521 ↑	S36	1	↓
14	SWITCH, LEVER *100933	S31 THRU S34, S38	5	↓
15	SWITCHLIGHT, P.B. *100051	S26	1	↓
16	SWITCH, ROTARY, 5 POS. *101038	S25	1	↓
17	↑ ROTARY, 4 POS. *101039 ↓	S37	1	SDS
18	↓ PUSH BUTTON N.C. *30-2NC ↑	S35	1	112
19	SWITCH, PUSH BUTTON NO. *30-15	S1 THRU S23, S29, S30	25	↑
20	BUTTON, MOLDED *30B102 (RED)	S29, S35	2	↓
21	BUTTON, MOLDED *30B102 (BLUE)	S1 THRU S23, S30	24	112
22	INDICATOR, TRIODE *6977	DS2 THRU DS50	49	85, 96
23	RESISTOR, 3 K ± 2%	(P2) R99, R100	2	16, 17

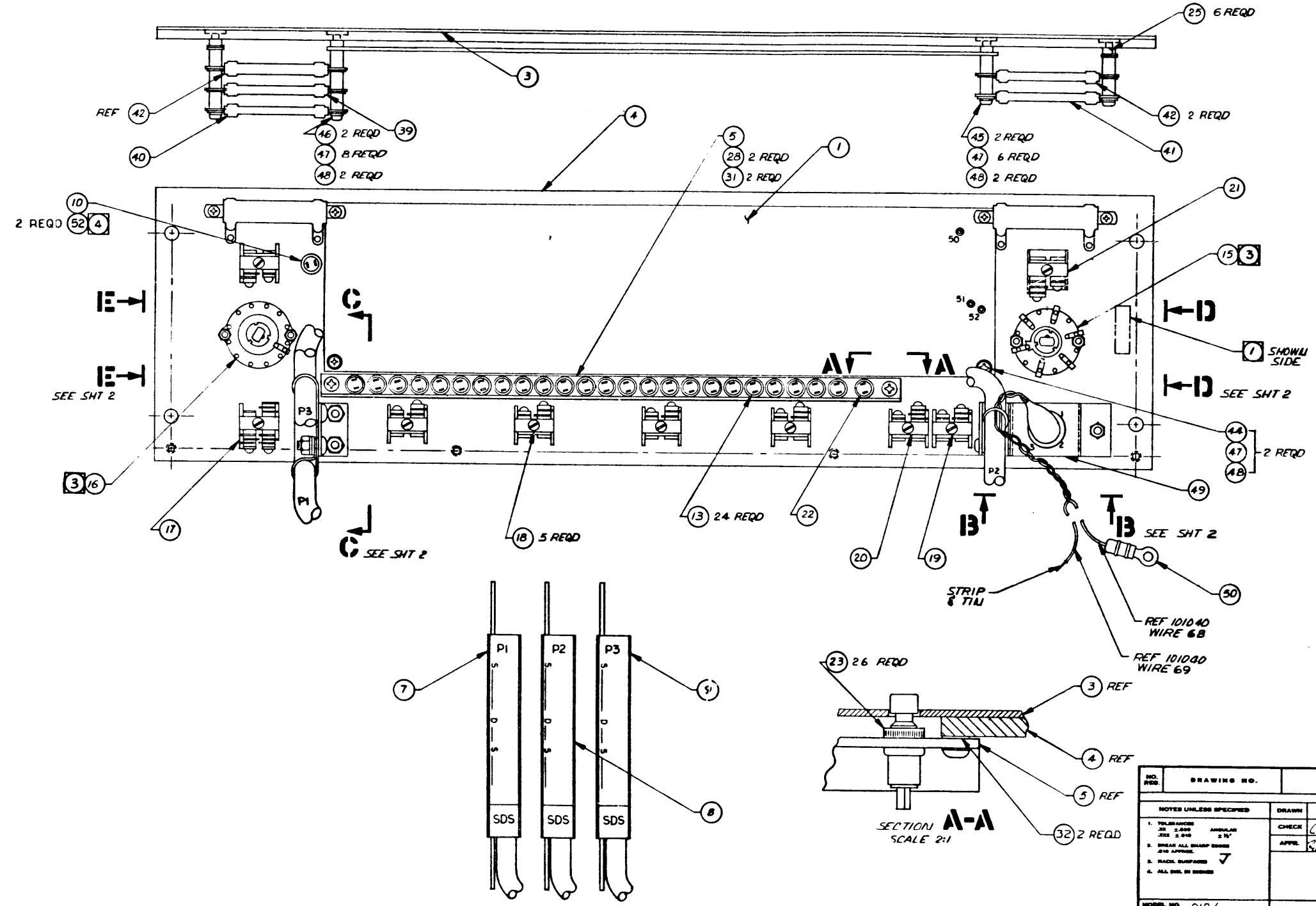
REV	DRAWING NO.	DESCRIPTION	REFERENCE DESIGNATION	ITEM NO.
		MATERIAL LIST		
NOTES UNLESS SPECIFIED		DRAWN	SDS SCIENTIFIC DATA SYSTEMS	
1. TOLERANCES UNLESS SPECIFIED	2. DIMENSIONS UNLESS SPECIFIED	CHECK	1445 FIFTEENTH STREET SANTA MONICA, CALIFORNIA	
3. BREAK ALL SHARP CORNERS AND SPICES	4. DIMENSIONS UNLESS SPECIFIED	APPR.	TITLE	
5. ALL DIM. IN INCHES			SCHEMATIC, CONTROL PANEL	
MODEL NO.	910, 920	SIZE	DWG NO.	F
NET WT. APPROX.	100946	SCALE	101157	6 OF 6

101157 | F |

REVISIONS				100946	L
REV.	DESCRIPTION	CHK.	DATE	APPROVED	
G	SEE REV. E.O.				
H	SEE REV. E.O.				
J	SEE REVISION E.O.				
K	SEE REVISION E.O.				
L	SEE REVISION E.O.				

NOTES: UNLESS OTHERWISE SPECIFIED

1. IDENTIFY PART PER SDS 100198.
2. REF WIRE LISTS: 101040, 101041, 101042, 10104...
3. LOCK WASHERS FURNISHED WITH ITEMS 15 & 16 TO BE ON REAR SIDE OF PANEL.
4. MOUNT FLAT WASHERS (ITEM 52) ON REAR SIDE OF PANEL.

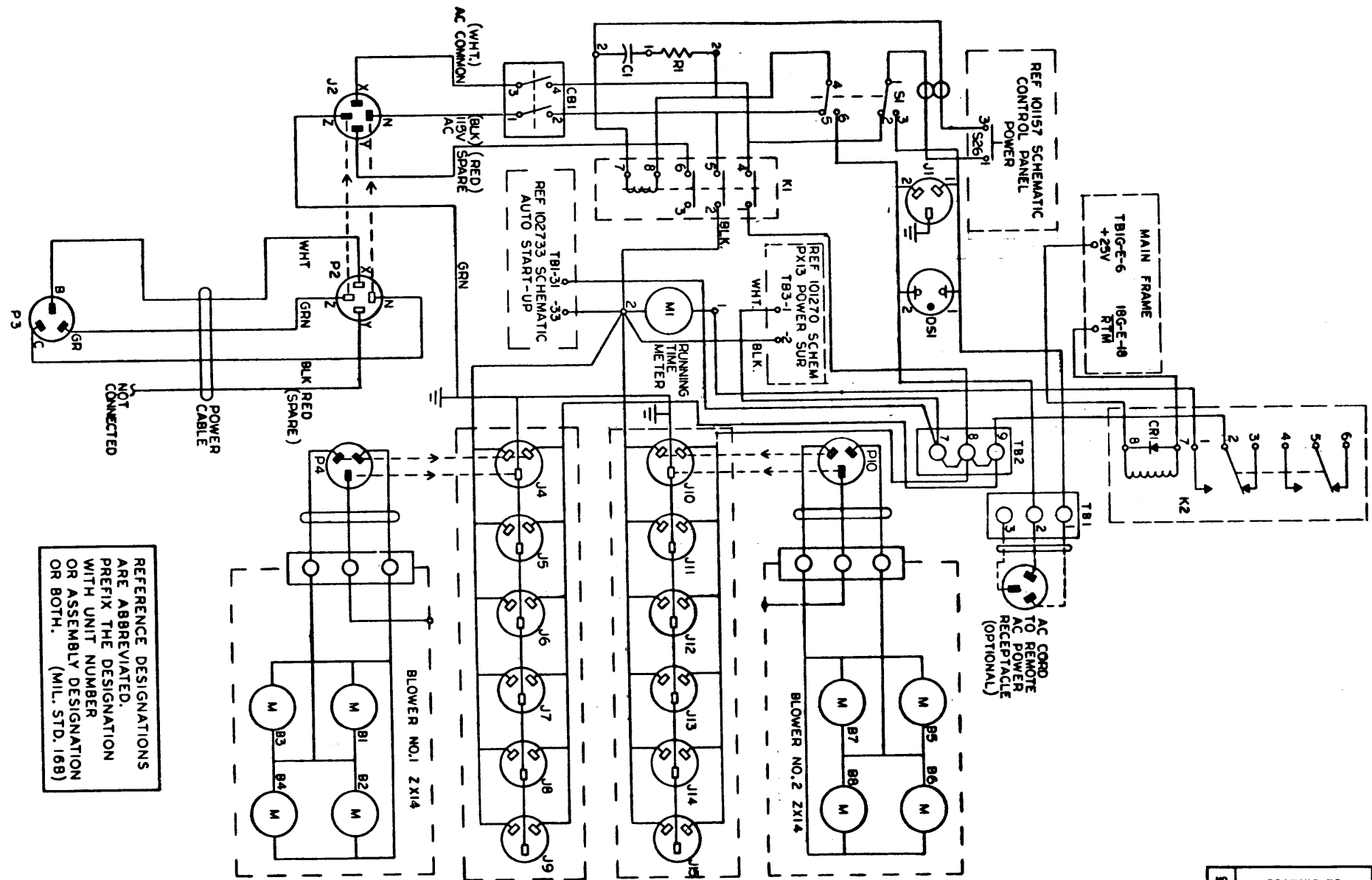


NO. REV.	DRAWING NO.	DESCRIPTION	REFERENCE DESIGNATION	ITEM NO.
MATERIAL LIST				
1. TOLERANCES UNLESS SPECIFIED		DRAWN: <i>[Signature]</i> 10-16-62	SDS DATA SYSTEMS	
2. DIMENSIONS ARE IN INCHES UNLESS OTHERWISE SPECIFIED		CHECK: <i>[Signature]</i>	1642 FIFTEENTH STREET, SANTA MONICA, CALIFORNIA	
3. BREAK ALL SHARP CORNERS AND EDGES		APPR: <i>[Signature]</i>	TITLE: ASSY. CONTROL PANEL	
4. BACK SURFACES			MODEL NO. 910/920	
5. ALL DIM. IN DIMENSIONS			REV. D 100946 L	
NEXT REV. 100913 100949			SCALE: 1" = 1" DO NOT SCALE DRAWING SHEET 1 OF 4	

100946/L

REV	MATERIAL LIST	SDS	SCIENTIFIC DATA SYSTEMS	ML	DWG. NO.	REV
L	DWG. TITLE				100946	L
	ASSY. CONTROL PANEL		MOD # 910/920	DATE 7/1/62	SHEET 3	OF 4
DWG. NO.	ITEM	DWG. TITLE	DWG. NO.	NO. REQ.	REMARKS OR CKT. DESIG.	
100946	1	Assy, Indicator Board	100945	1		
	2	Angle, Cable Clamp Mtg	100944	2		
	3	Panel, Overlay Comp. Cont.	100052	1		
	4	Panel, Sub Comp. Cont.	100056	1		
	5	Angle, Switch Mtg.	105185	1		
	6	Bracket, Switch Mtg.	100058	1		
	7	Assy, Cable Plug Module	100968	1	P1	
	8	Assy, Cable Plug Module	100969	1	P2	
	9	Assy, Cable Plug Module	100970	1	P3	
	10	Switch, Pushbutton	101255-001	1	S15,	
	11	Switchlight P. B. Spec. Cont.	100051	1	S26	
	12	Switch, Pushbutton	100074-001	2	S35, S29	
	13	Switch, Push-button	101804-002	24	S1 thru S23, S30,	
	14	Knob, Knurled	100059	2	S25, S37	
	15	Switch, Rotary 5 Pos.	101038	1	S25	
	16	Switch, Rotary 4 Pos.	101039	1	S37	
	17	Switch, Lever	101521	1	S36	
	18	Switch, Lever Form A Lock	100933	5	S 31, 32, 33, 34, 38	
	19	Switch, Lever, Form A Lock Non-Lock	101266	1	S27	
	20	Switch, Lever form D Lock	100934	1	S28	
	21	Switch, Lever, Form C Lock Non-Lock	101520	1	S24	
	22	Switch, Pushbutton	101804-001	1	S29	
	23	Nut, Ring	100114	26		
	24	Clamp, Cable Nylon	100657-005	6		
	25	Standoff, Threaded Rivet	101666-402	6		
	26	Wire, Solid Bare	100042-024	50 Ft		
	27	Tubing, Teflon	100274-022	50 Ft		
	28	Screw, Pan Hd Rec. Phillip	100012-306	2		
	29	Screw, Fl. Hd. Phil. (100%)	100039-308	5		
	30	Nut, Hex Machine	100008-300	11		
	31	Washer, Lock Int. Tooth	100024-300	13		
	32	Washer, Flat	100018-300	8		
	33	Resistor, 1/2 watt	100111-102	2	Ref. Wire List	
	34	Resistor, 1/2 watt	100111-273	1	Ref. Wire List	
	35	List, Wire, Cont. Panel	101040	x	Ref.	
	36	List, Wire (Cable Plug Mod)	101041	x	Ref. P1	
	37	List, Wire, Cable Plug Mod	101042	x	Ref. P2	
	38	List, Wire, Cable Plug Mod	101043	x	Ref. P3	

REVISIONS				102675	E
REV.	DESCRIPTION	CHK.	DATE	APPROVED	
B	SEE REV. E.O.	SLA	5/24/63	[Signature]	
C	SEE REV. E.O.	SM	4/16/63	[Signature]	
D	SEE REV. E.O.	[Signature]	1/16/63	[Signature]	
E	SEE REV. E.O.	[Signature]	4/17/63	[Signature]	



REFERENCE DESIGNATIONS ARE ABBREVIATED. PREFIX THE DESIGNATION WITH UNIT NUMBER OR ASSEMBLY DESIGNATION OR BOTH. (MIL. STD. 168)

NO.	DRAWING NO.	DESCRIPTION	REFERENCE DESIGNATION
MATERIAL LIST			
NOTES UNLESS SPECIFIED		DRAWN: <i>W. J. [Signature]</i> 5/24/63	SDS SCIENTIFIC DATA SYSTEMS 1545 FIFTEENTH STREET, SANTA MONICA, CALIFORNIA TITLE: SCHEMATIC, POWER DISTRIBUTION
1. TOLERANCES UNLESS SPECIFIED: ANGULAR ± 1°		CHECK: <i>C. J. [Signature]</i> 5/26/63	
2. BREAK ALL SHARP CORNERS AND SPACES		APPR: <i>[Signature]</i> 5/14/63	
3. DIMENSIONS UNLESS SPECIFIED			MODEL NO. 9112, 9113, 9212 NEXT ASSY. 102246, 102286, 101087
4. ALL DIM. IN INCHES			SIZE: D DWG. NO. 102675 SHEET 1 OF 2

102675 | E |

REVISIONS				102675	E
REV.	DESCRIPTION	CHK.	DATE	APPROVED	
	SEE EMT. 1				

REPLACEMENT PARTS LIST

ITEM	DESCRIPTION	DESIGNATION	QTY	SUPPLIER CODE (SEE INDEX)
1	CORD, A.C. #16/3 SPT-3 CORD WITH #PA-3 PLUG	P1	1 (OR NONE)	101
2	CONNECTOR, 5 WIRE FEMALE #3523	P2	1	102
3	CONNECTOR, 3 WIRE MALE #3331	P3	1	102
4	CORD, A.C. #16/3 SPT-3 CORD WITH #PA-3 PLUG	P4 (P10)	1 (OR 2)	101
5	RECEPTACLE, 3 WIRE FEMALE #5256	J1	1	102
6	CONNECTOR, 5 WIRE MALE #3524	J2	1	102
7	WIREMOLD, A.C. #G-20GB306	J4 THRU J9 (J10 THRU J15)	1 (OR 2)	103
8	LAMP, NEON #249-784IH-1437	DS1	1	104
9	CONTACTOR, 30 AMP, 600 VAC #702 BAD 92 SERIES K	K1	1	107
10	CIRCUIT BREAKER, DOUBLE POLE #2XAM1516-35-250 VAC 60 CYCLE CURVE 2	CB1	1	105
11	SWITCH, TOGGLE DPDT	S1	1	106
12	RESISTOR, W.W. 10 Ω ± 5%	R1	1	99, 100
13	CAPACITOR, OIL .25 μf ± 20%, 1000V	C1	1	80, 81
14	METER, TIME #50-236402AAAA1 120 V, 60 CYCLES	M1	1	108
15	RELAY DPDT DOSX-71 80-6A/115VAC	K2	1	78 79
16	DIODE, 1N3189	CRI	1	2, 6, 30, 68

102675 | E |

NO. REV.	DRAWING NO.	DESCRIPTION	REFERENCE DESIGNATION	ITEM NO.
MATERIAL LIST				
NOTES UNLESS SPECIFIED 1. TOLERANCES UNLESS SPECIFIED 2. 1.000 ANGULAR 3. 2.000 2.54" 4. BREAK ALL DIMENSIONS 5. DIMENSIONS 6. HOLE DIMENSIONS 7. ALL DIM. IN INCHES		DRAWN: <i>W. J. [Signature]</i> 5/18/63 CHECK: <i>C. J. [Signature]</i> 5/20/63 APPR: <i>J. [Signature]</i> 5/1/63	SDS SCIENTIFIC DATA SYSTEMS 1542 FIFTEENTH STREET SANTA MONICA, CALIFORNIA	
MODEL NO. 9112, 9113, 9212 NEXT AGENT: 102246, 102286, 101087			SCHEMATIC, POWER DISTRIBUTION	
SCALE: DO NOT SCALE DRAWING			SHEET NO. D 102675 SHEET 2 OF 2	E